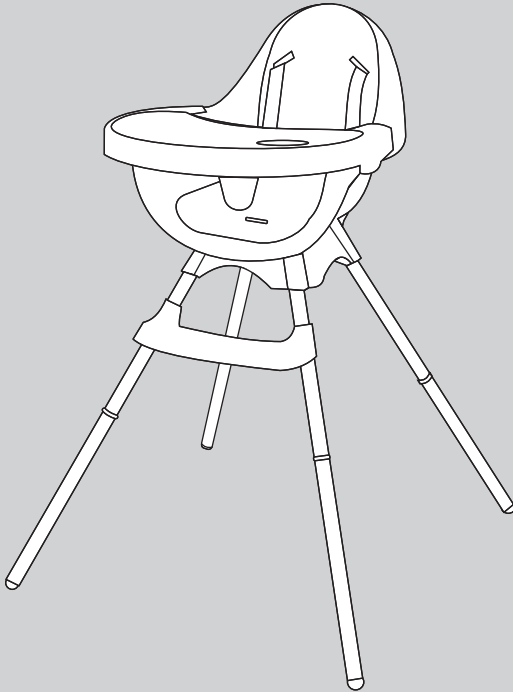


Munch Crunch 3-in-1 Highchair and Booster Seat

Instruction manual



**IMPORTANT - RETAIN FOR FUTURE
REFERENCE, READ CAREFULLY.**

Warning: A child's safety is your responsibility.

This product is tested and approved to
EN 14988:2017+A1:2020 and BS EN 16120:2012+A2:2016+AC:2018

1. Contents

1. Contents	01
2. Welcome	01
3. Safety instructions	02-03
4. Parts List	04
5. Assembly - Highchair / Stage 1	05
5.1. Footrest assembly	05
5.2. Top legs assembly	05
5.3. Footrest assembly	06
5.4. Bottom legs assembly	06
6. Using the Highchair	07
6.1. Tray attachment	07
6.2. Tray removal	07
6.3. Harness	08
6.4. Harness adjustment	08
7. Assembly - Booster Seat / Stage 2	09
7.1. Disassemble legs	09
7.2. Disassemble legs	09
7.3. Attach booster seat	10
8. Assembly - Child Seat / Stage 3	11
8.1. Assemble legs	11
8.2. Remove tray	11
8.3. Remove harness	12
9. Care and maintenance	13
9.1. Cleaning	13
9.2. Maintenance	13

2. Welcome

Thank you for purchasing the Puggle Munch Crunch 3-in-1 Highchair and Booster Seat. The Puggle Munch Crunch 3-in-1 Highchair and Booster Seat grows with your child. Suitable from approximately 6 months it is extremely versatile functioning as a Highchair, a Booster Seat and a low Child Seat. Lightweight and easy to move, this highchair switches easily from one mode to another.

Please read the instructions and warnings carefully before use to ensure safe and satisfactory operation of your Puggle Munch Crunch 3-in-1 Highchair and Booster Seat.

Specification	Highchair	Booster Seat	Child Seat
	Stage 1	Stage 2	Stage 3
Age suitability:	6 months approx.	6 months minimum	3 years approx.
Max. weight/age:	15 kg	15 kg	5 years approx.

If you have a query with this product or require replacement parts, please contact Online4baby online at online4baby.com/contact-us.

3. Safety instructions

IMPORTANT! PLEASE READ THE FOLLOWING INSTRUCTIONS CAREFULLY BEFORE INSTALLING THE PRODUCT.

- **WARNING!** Read these instructions carefully before assembly and use and keep for future reference. The child may be hurt if you do not follow these instructions.

HIGHCHAIR MODE / STAGE 1

- **WARNING!** The highchair is suitable for babies up to a maximum weight of 15kg (approx. 36 months).
- **WARNING!** Do not use the highchair until your child can sit up unaided (approx. 6 months).
- **WARNING!** Never leave the child unattended.



- **WARNING!** Always keep child in view while in the highchair.
- **WARNING!** The harness must always be used and correctly fitted. Most injuries from highchairs are caused by falls.
- **WARNING!** When not being used in Booster Seat Mode and not attached to an adult chair the booster attachment straps **MUST** be stored inside the storage compartment, away from non-occupant children, as they could pose a strangulation hazard.
- **WARNING!** Falling hazard: Prevent your child from climbing on the highchair.
- **WARNING!** Be aware of the risk of tilting when your child can push its feet against a table or any other structure.
- **WARNING!** Do not use the highchair unless all components are correctly fitted and adjusted.
- **WARNING!** Be aware of the risk of open fires and other sources of strong heat, such as electric bar fires, gas fires etc. in the vicinity of the highchair.
- **WARNING!** Do not move or carry the highchair with your child inside.
- Position the highchair on a flat, horizontal and even floor. Do not elevate the highchair on any structure.
- Ensure the highchair is completely assembled before placing your child inside.
- **DO NOT** allow anyone to climb or stand on or inside of the highchair.
- To reduce the risk of injury always position the highchair away from furniture, stairs, walls, heat sources and cords including window cords or electrical wires.
- If being used at a table with the tray removed, position away from furniture.
- Do not use the highchair if any part is broken, torn or missing.
- Do not use accessories or replacement parts other than those approved by the manufacturer.
- Regularly check all connections to ensure they are tight.
- Keep plastic packaging away from children to avoid danger of suffocation.
- This highchair conforms to EN 14988:2017+A1:2020

3. Safety instructions

BOOSTER SEAT MODE / STAGE 2 - ADDITIONAL SAFETY INSTRUCTIONS

- **WARNING!** The booster seat is only suitable for children aged up to 3 years and with a maximum weight of 15kg who are able to sit up unaided (minimum 6 months).
- **WARNING!** Always use the chair attachment system and ensure it is correctly fitted before use.
- **WARNING!** The harness must always be used and correctly fitted.
- **WARNING!** Never leave the child unattended.



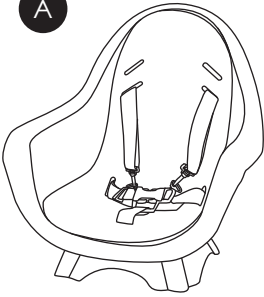
- Always check the security and stability of the chair mounted seat on the adult chair before use.
- Always use the booster on an adult chair with seat dimensions larger than the booster.
- Ensure your child cannot push against the table or another surface as this could result in the booster seat tipping over.
- Never lift this product with your child in it.
- Do not use this chair mounted seat in motor vehicles.
- Do not use this chair mounted seat on stools or benches.
- Do not use the chair mounted seat if any part is broken, torn or missing.
- Do not use accessories or replacement parts other than those approved by the manufacturer.
- This booster seat conforms to BS EN 16120:2012+A2:2016+AC:2018

CHILD SEAT MODE / STAGE 3 - ADDITIONAL SAFETY INSTRUCTIONS

- **WARNING!** The child seat is suitable for children able to sit up unaided from 36 months (3 years) to approx. 5 years.

4. Parts List

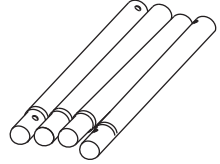
A



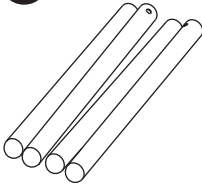
B



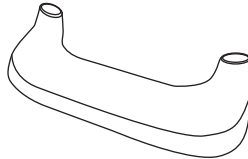
C



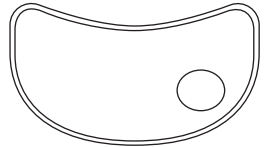
D



E



F



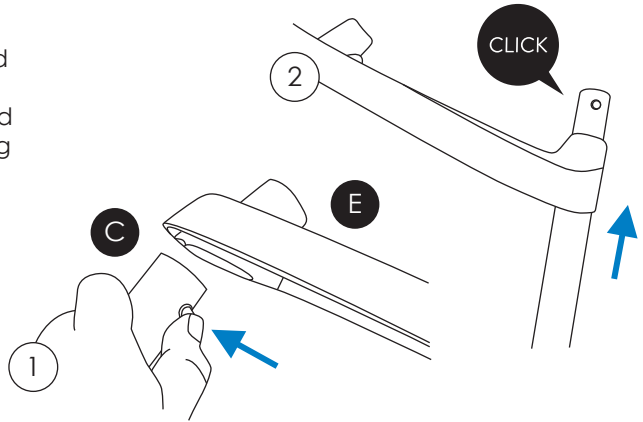
Contained in your carton are:

Nº	Part	Qty
A	Seat unit with liner	1
B	Tray	1
C	Top Legs	4
D	Bottom Legs	4
E	Footrest	1
F	Inner Snack Tray	1

5. Assembly - Highchair / Stage 1

5.1. FOOTREST ASSEMBLY

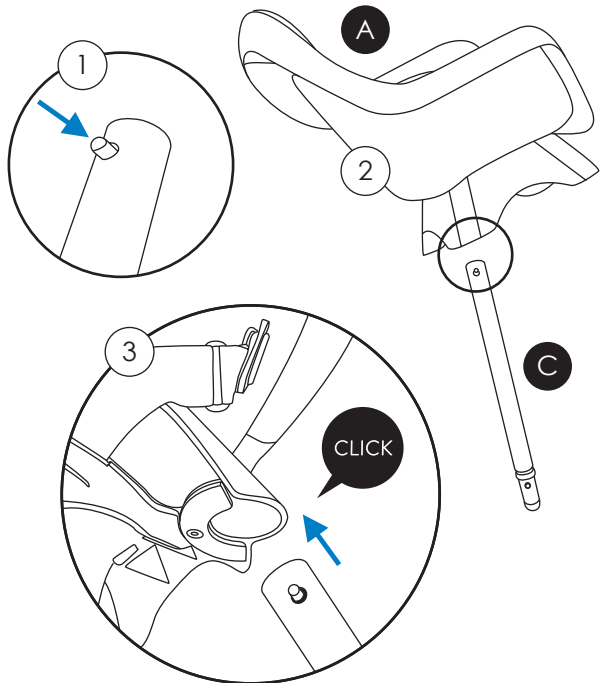
Press in the spring pin located at the top of the top leg (C) and insert it into the allocated hole in the footrest (E). Pull leg through. Listen for the 'click'. Repeat for other side (2 legs total).



5.2. TOP LEGS ASSEMBLY

Attach the 4 x top legs and footrest to the seat unit (A). Press in the spring pin located at the top of top leg (C) and insert it into the allocated holes at the bottom of the seat unit. Listen for the 'click' to ensure the spring pins are locked in place.

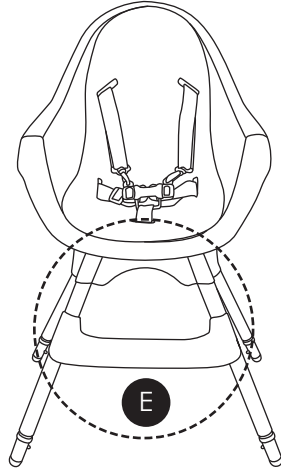
TIP: Rotate the leg slowly to help find the locking hole for the spring pin.



5. Assembly - Highchair / Stage 1

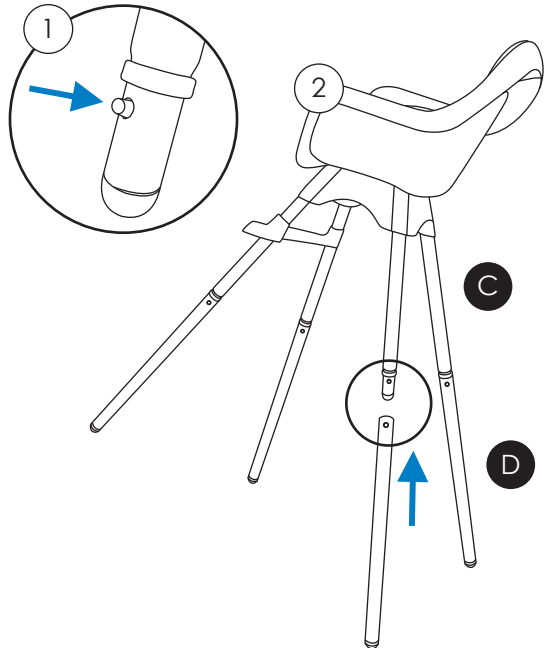
5.3. FOOTREST ASSEMBLY

Ensure the footrest is at the front of the seat unit before continuing.



5.4. BOTTOM LEGS ASSEMBLY

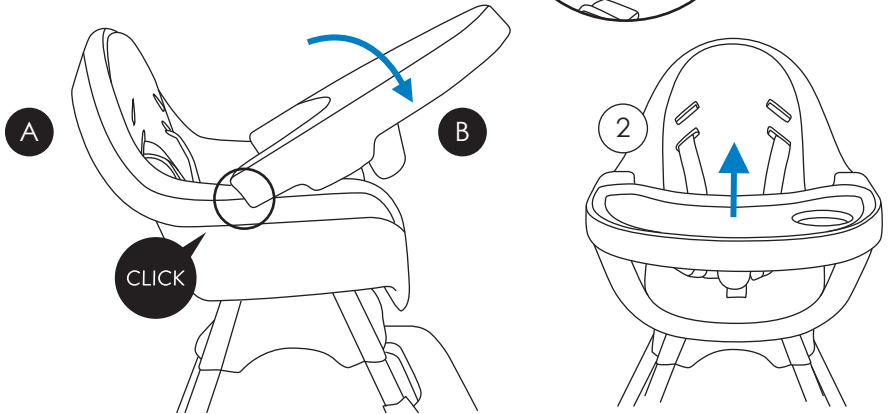
Attach the bottom legs to the top legs. Press in the spring pin on the bottom of the top leg and insert it into the top of the bottom leg (D). Listen for the 'click'. Repeat for other legs (4 total).



6. Using the Highchair

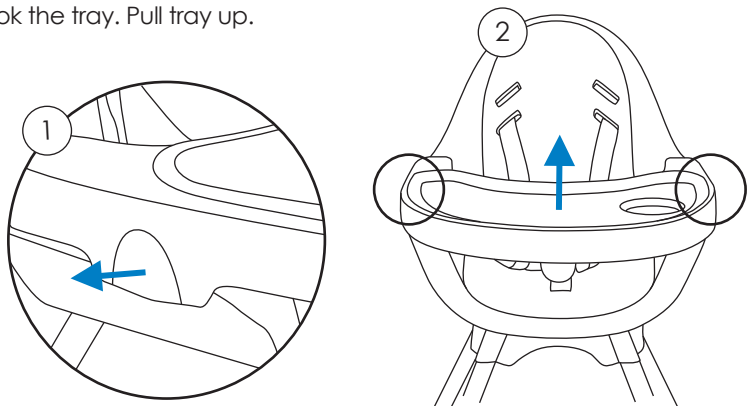
6.1. TRAY ATTACHMENT

Insert the tray (B) attachment hooks into the allocated slots on the seat unit arms. Push down gently to secure. The inner snack tray (F) snaps into the tray. Unsnap the tab at the rear of the inner snack tray and pull up to remove from main tray.



6.2. TRAY REMOVAL

To remove, pull the attachment levers outwards to unhook the tray. Pull tray up.

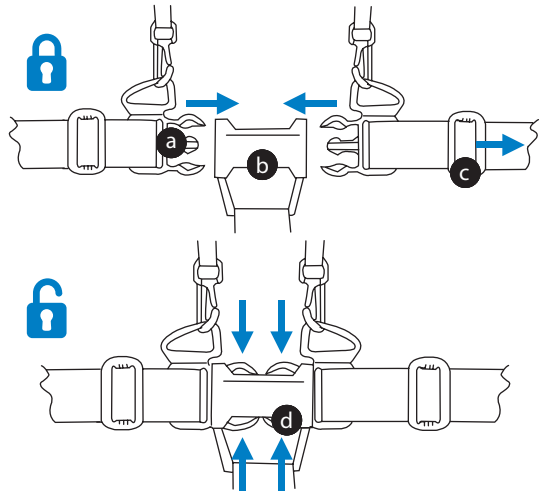


6. Using the Highchair

6.3. HARNESS

A five-point safety harness is provided to restrain your child and should always be worn.

To fasten, push the side clips 'a' into the centre buckle 'b'. Sliding adjusters 'c' are fitted and should be adjusted to suit your child. To release, press the side clips at points 'd' and remove from buckle.

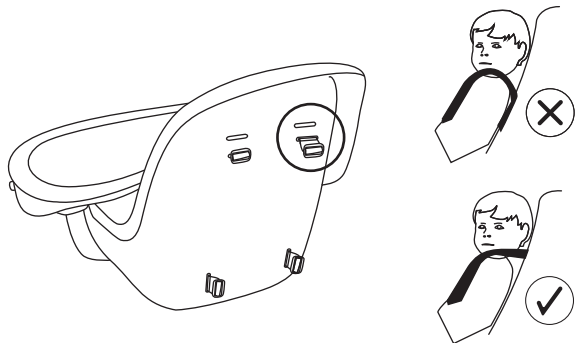


WARNING!

Always use the harness and ensure it is correctly fitted securely while the child is in the highchair.

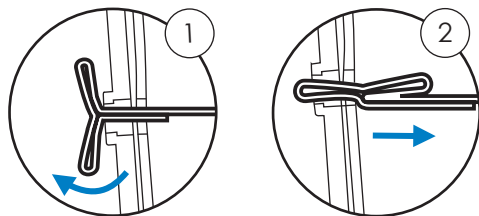
6.4. HARNESS ADJUSTMENT

The highchair has 2 shoulder height positions. Rotate the harness retainers on the shoulder harness and pull them out from the front of seat through the seat shell and the liner. Re-insert harness retainers into the higher shoulder position.



WARNING!

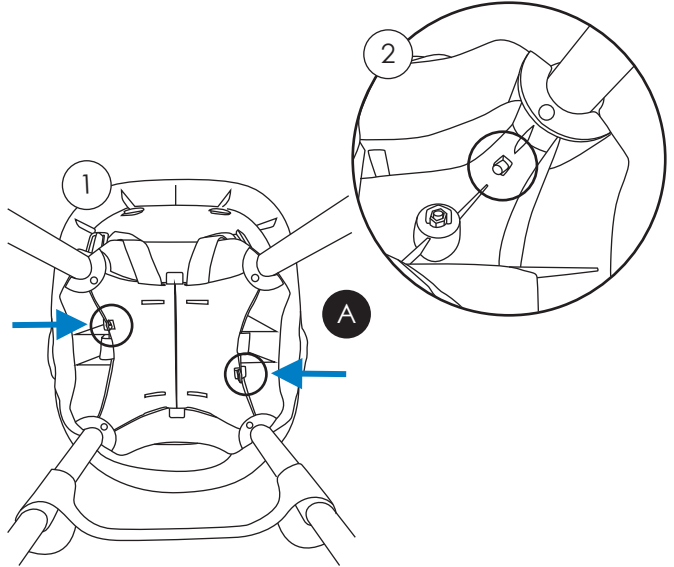
Always adjust the harness to fit your child correctly for their comfort and safety. A loose fitting harness can be very dangerous.



7. Assembly - Booster Seat / Stage 2

7.1. DISASSEMBLE LEGS

Turn the highchair over.
Push the small plastic clips and open the straps storage compartment to access the leg spring pins.



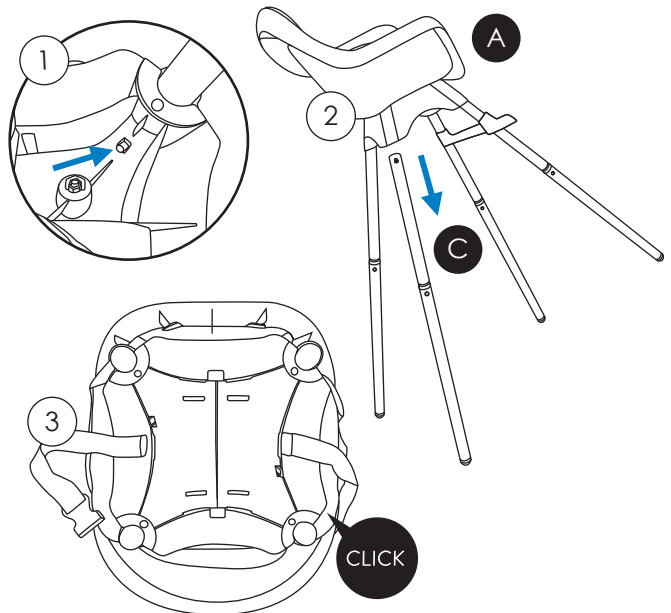
7.2. DISASSEMBLE LEGS

To remove the legs from the highchair seat unit, press in the spring pin and pull the assembled legs out. Take out the booster seat straps and close the storage compartment doors. Listen for the 'click'.



WARNING!

Ensure the storage compartment is securely closed before using Booster Seat.



7. Assembly - Booster Seat / Stage 2

7.3. ATTACH BOOSTER SEAT

Place the booster seat on a sturdy adult chair. Wrap the bottom straps around the adult chair seat section and fasten securely underneath. Wrap the rear strap around the back of the adult chair and fasten securely. Tighten using the sliding adjusters.

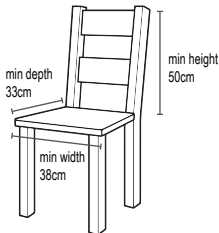
See section 6 for information regarding the harness and tray.

Adult chair dimensions

must be at least:

Seat: 38 cm (W) x 33 cm (D)

Backrest: 50 cm (H)



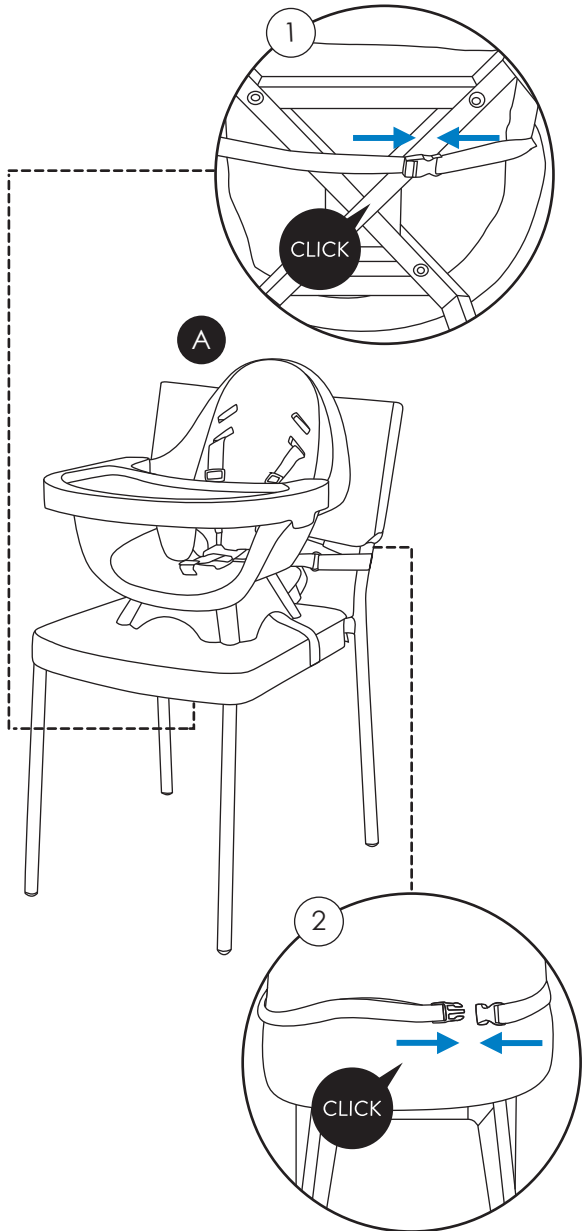
WARNING!

The Booster Seat is suitable for children aged up to 3 years and with a maximum weight of 15 kg who are able to sit unaided (minimum 6 months).



WARNING!

Always use the harness and ensure it is correctly fitted securely while the child is in the Booster Seat.

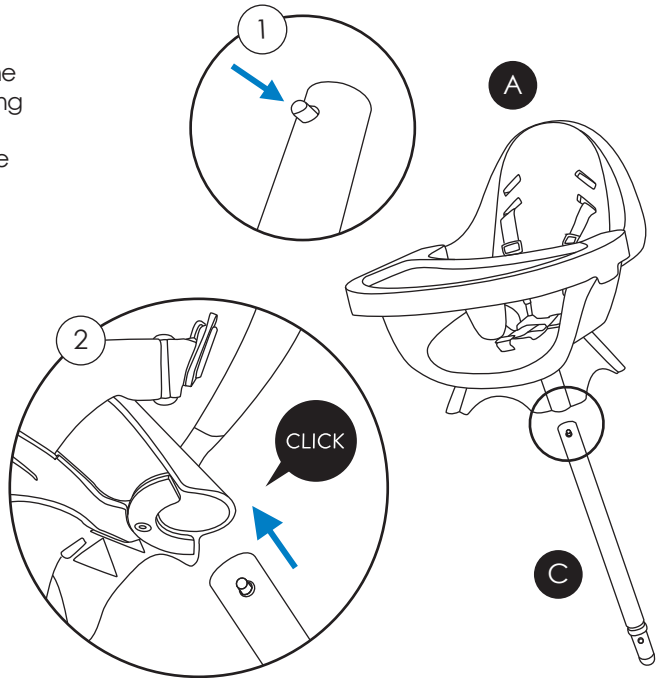


8. Assembly - Child Seat / Stage 3

8.1. ASSEMBLE LEGS

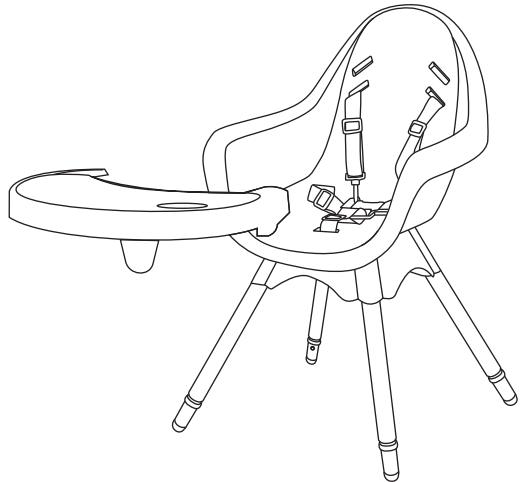
Attach the top legs (C) to the seat unit (A). Press in the spring pin located at the top of the leg and insert it into the allocated holes at the bottom of the seat unit. Listen for the 'click' to ensure the spring pins are locked in place.

TIP. Rotate the leg slowly to help find the locking hole for the spring pin.



8.2. REMOVE TRAY

Remove the tray from the seat unit. Refer to section 6.2.



8. Assembly - Child Seat / Stage 3

8.3. REMOVE HARNESS

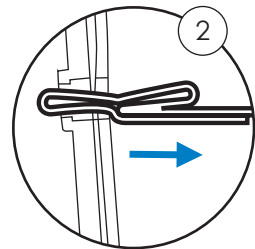
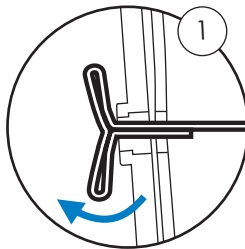
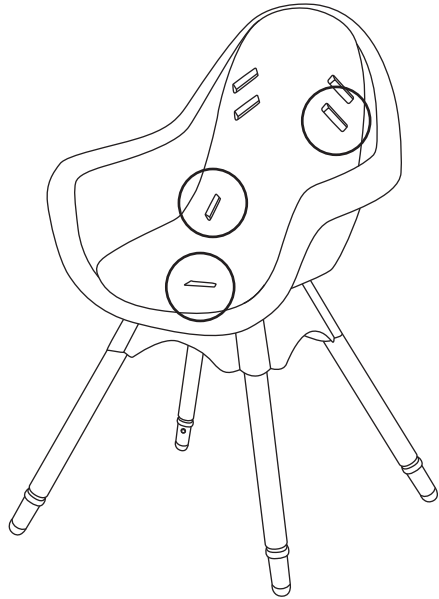
Remove the harness from the seat unit. Rotate the harness retainers on the shoulder harness and pull them out from the front of seat through the seat shell and the liner. Repeat process for the waist straps and crotch strap.

Fitting the footrest is optional in Child Seat mode.



WARNING!

The Child Seat is suitable for children able to sit up unaided from 36 months (3 years) to approx. 5 years.



9. Care and Maintenance

9.1. CLEANING



- **Liner:** Do not wash. Wipe clean only using soft cloth with diluted detergent or water. Do not rub. Do not iron. Dry in shade. Do not dry clean.
- **Harness:** Do not wash. Spot clean only using soft sponge with diluted detergent or water. Do not rub. Do not iron. Dry in shade. Do not dry clean.
- **Frame:** Clean metal or plastic components with mild detergent and warm water.
- Never clean any part of highchair with abrasive, ammonia based, bleach based or spirit type cleaners.
- Always ensure the highchair is stored in a dry place away from direct sunlight.

9.2. MAINTENANCE

- Regularly maintain your highchair to keep it in good working order.
- Regularly check all parts of the highchair to ensure that they are operating correctly and for signs of wear or damage.
- Do not use this product if any part is broken, torn or missing and use only spares provided by the manufacturer.



If you have any questions or concerns regarding this product,
do not hesitate to contact our expert team online
via online4baby.com/contact-us

Feeling social?  
online4baby.com

Imported by Online4baby Ltd,
Meadowbank, Tweedale Way, Oldham, OL9 8EH