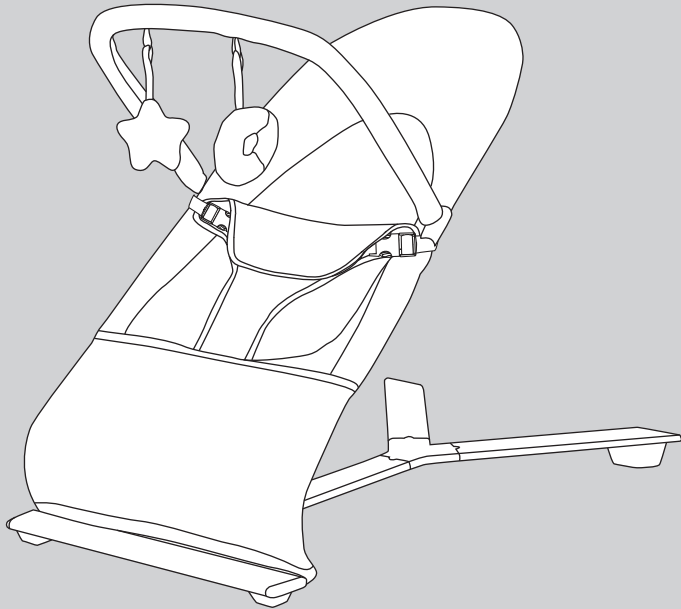


# Infinity Luxe Bouncer

Instruction manual



**IMPORTANT - RETAIN FOR FUTURE  
REFERENCE. READ CAREFULLY.**

**Warning:** A child's safety is your responsibility.

This product is tested to EN 12790-1:2023

# 1. Contents

1. Contents .....	01
2. Welcome .....	01
3. Safety instructions .....	02
4. Parts List .....	03
5. Unfolding .....	04
6. Backrest adjustment .....	05
7. Toy bar assembly .....	06
8. Safety harness .....	07
9. Folding .....	08
10. Removing the cover .....	09
11. Care and maintenance .....	10
11.1. Cleaning .....	10
11.2. Maintenance .....	10

# 2 .Welcome

Thank you for purchasing the Puggle Infinity Luxe Bouncer.

Please read the instructions and warnings carefully before use to ensure safe and satisfactory operation of your Puggle Infinity Luxe Bouncer.

If you have a query with this product or require replacement parts, please contact Online4baby online at [online4baby.com/contact-us](http://online4baby.com/contact-us).

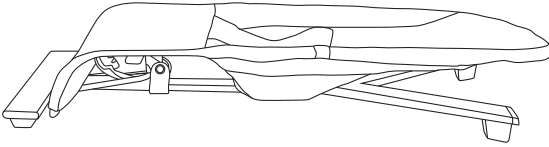
### 3. Safety Instructions

**IMPORTANT! PLEASE READ THE FOLLOWING INSTRUCTIONS CAREFULLY BEFORE USING THE PRODUCT.**

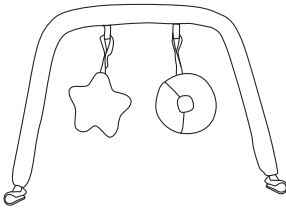
- **WARNING!** Read these instructions carefully before assembly and use and keep for future reference. The child may be hurt if you do not follow these instructions.
- **WARNING!** This product is suitable for one child from birth (up to max. weight 9kg).  
**Do not use the bouncer once the child can sit up unaided.**
- **WARNING!** The highest position max. weight is 9kg, the second position max. weight is 6kg and the lowest position max. weight is 6kg.
- **WARNING! This reclined cradle is not intended for prolonged periods of sleeping.**
- **WARNING! Never leave the child unattended.**
- **WARNING!** Follow the manufacturer's instructions.
- **WARNING! ALWAYS use the restraint system ensuring it is correctly adjusted at all times.**
- **WARNING!** NEVER use for a child that is able to sit up unassisted.
- **WARNING!** Do not attempt to move or lift the product when a child is in it.
- **WARNING! FALL HAZARD:** Child's activity may move product. Use only on the floor. Never use on an elevated surface.
- **WARNING! It is dangerous to use this reclined cradle on an elevated surface eg. a table.**
- **WARNING!** Be aware of the risk of open fires and other sources of strong heat, such as electric bar fires, gas fires etc. in the vicinity of the bouncer.
- **WARNING! SUFFOCATION HAZARD:** Never use on a soft surface (bed, sofa, cushion), as seat may tip over and cause suffocation.
- **WARNING!** The toy bar is not a handle. **Never use the toy bar to lift or carry the product.**
- Check the suspension system of the bouncer regularly.
- This product does not replace a cot or cot bed. Should your child need to sleep, then it should be placed in a suitable cot or cot bed.
- The bouncer is not a carrycot or a car seat. Always use the straps and adjust them properly, even if baby will only be in the bouncer for a short time.
- Keep the plastic bags of the packaging out of reach of babies and young children to avoid any risk of suffocation.
- Never add any pillow, blanket or padding to the bouncer.
- Do not attach other toys than those supplied.
- Do not put objects with strings around the neck of your baby. Do not hang strings from the bouncer and do not attach strings to toys. This could lead to strangulation.
- Do not put the bouncer close to a window where the strings of a blind or curtains could lead to strangulation.
- Before using, check that all parts are properly locked into position and adjusted correctly.
- Discontinue use of product should it malfunction or become damaged.
- Do not use the bouncer if any part is broken or missing.
- Only use authorised additional replacement parts. Do not use accessories or replacement parts other than those approved by the manufacturer.
- Do not let other children play unattended near the product.
- Keep children away from the product during assembly and when not in use.
- Adult assembly required.
- This bouncer conforms to EN 12790-1:2023

## 4. Parts List

A



B



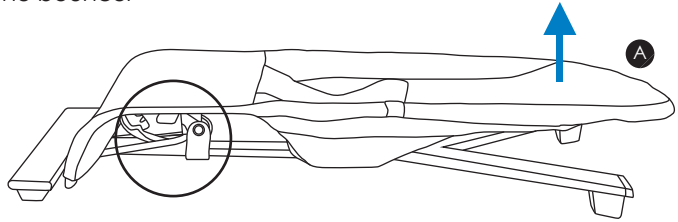
### Contained in your carton are:

N°	Part	Qty
A	Bouncer	1
B	Toy bar (with 2 x toys)	1

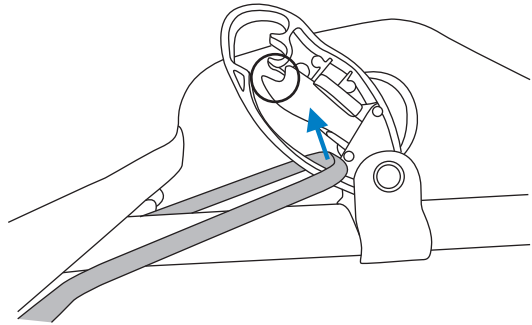
\*Toys may vary slightly from illustration

## 5. Unfolding

**5.1.** For ease of use, the bouncer (A) comes assembled in the box. Pull up the backrest of the bouncer with your hand.

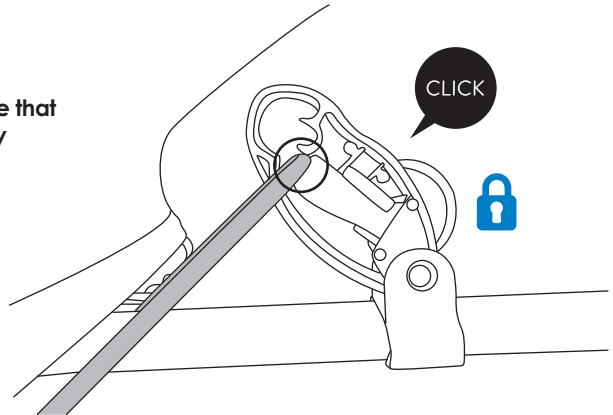


**5.2.** “Click” the metal rod into one of the plastic holders to lock the backrest in position.



### **WARNING!**

Before use, check to make sure that all of the fasteners are correctly attached.

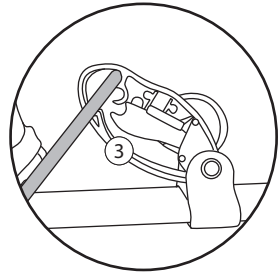
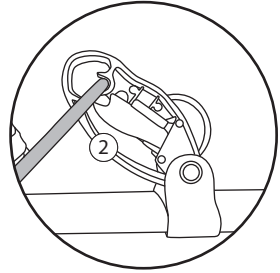
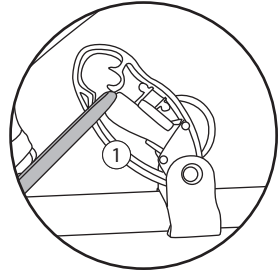


## 6. Backrest Adjustment

**6.1.** Pull up the backrest of the bouncer with your hand to release the metal rod and adjust to one of the three backrest recline positions.

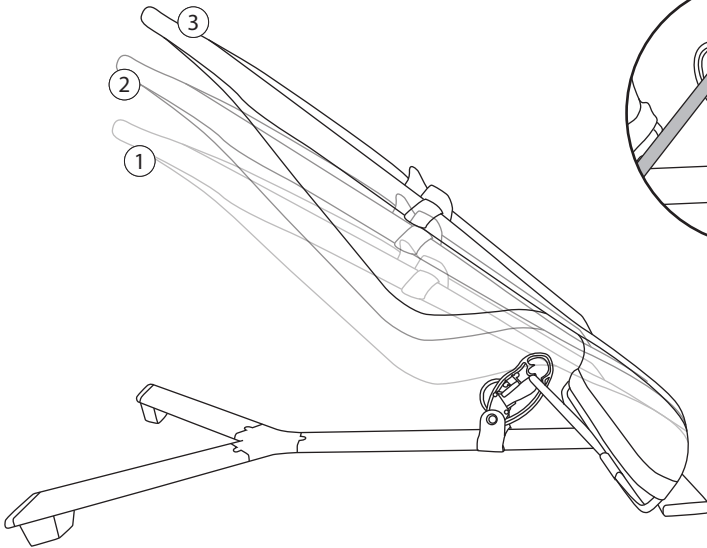
**6.2.** "Click" the metal rod into one of the three plastic holders at desired height.

**6.3.** There are 3 backrest positions.



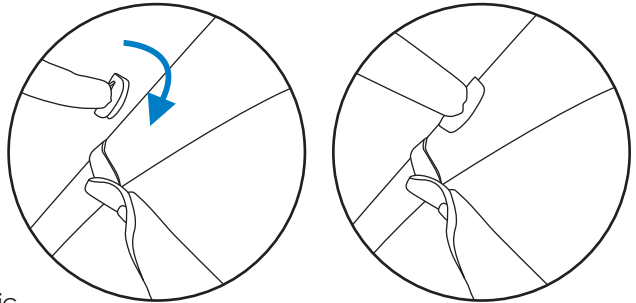
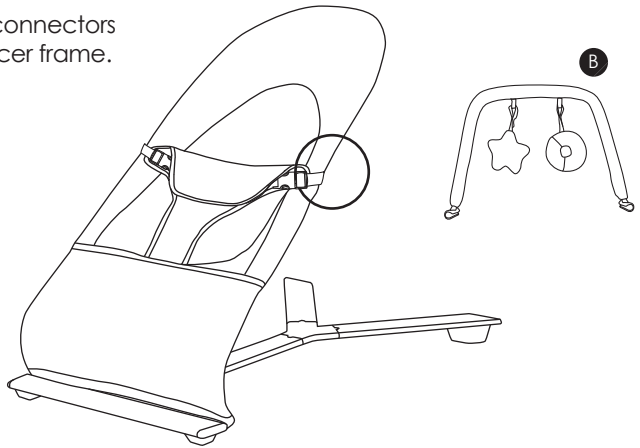
### **WARNING!**

The highest "3" position max. weight is 9kg, the second "2" position max. weight is 6kg and the lowest "1" max. weight position is 6kg.



## 7. Toy Bar Assembly

**7.1.** There is a toy bar (B) included which is easily attached. Slide and hook the plastic connectors onto the edge of the bouncer frame.



**7.2.** To remove; pull the plastic connectors away from and off the bouncer.



### **WARNING!**

The toy bar is not a handle.  
Never use the toy bar to lift or carry the product.

## 8. Safety Harness

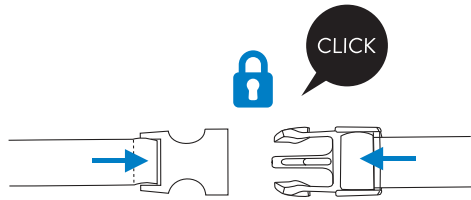
**8.1.** Use the 3-point safety harness to secure the baby.

To fasten, push the side clips into the centre buckle.

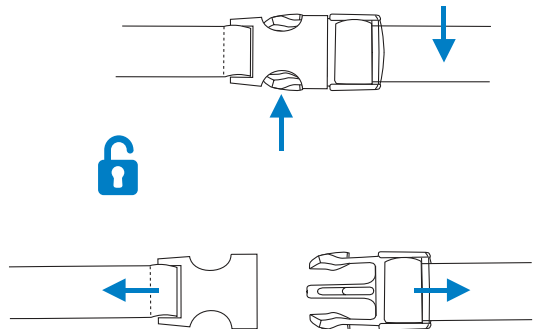
Sliding adjusters are fitted and should be adjusted to suit your child.

 **WARNING!**

**ALWAYS use the restraint system.**



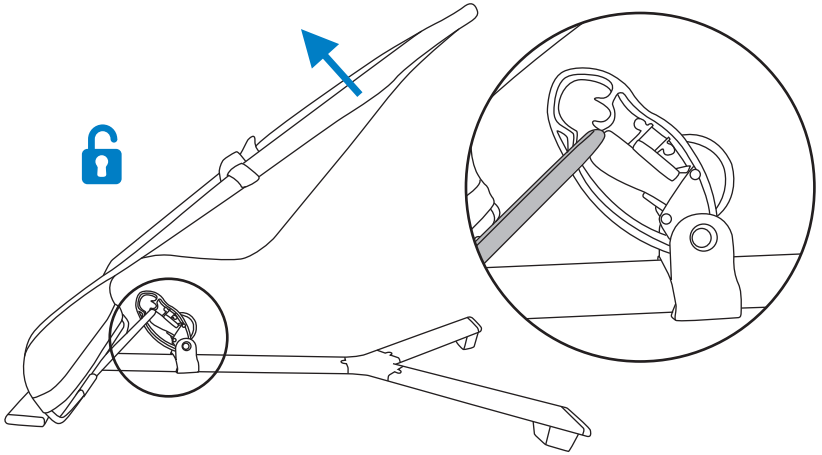
**8.2.** To release, press the side clips and remove from buckle.



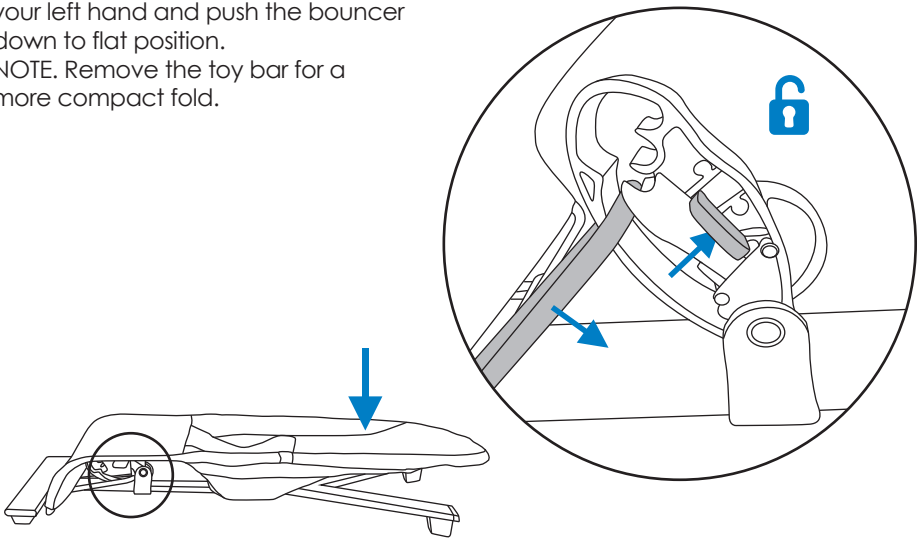


## 9. Folding

**9.1.** Pull up the backrest of the bouncer with your right hand to release the metal rod.

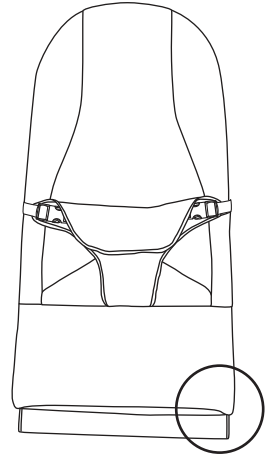
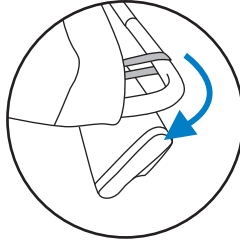


**9.2.** Lift up the secondary red lock with your left hand and push the bouncer down to flat position.  
NOTE. Remove the toy bar for a more compact fold.



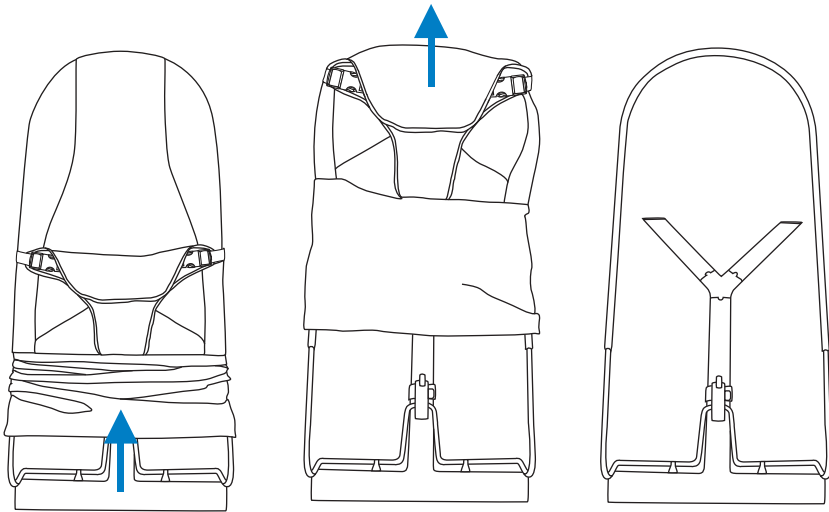
## 10. Removing the Cover

**10.1.** The bouncer has a fabric cover which is removable for easier cleaning. Locate the elastic loops on the bottom of the seat and slide them off the metal rod on both sides.



**10.2.** Pull the fabric cover upwards slowly to remove from the bouncer frame. Be careful not to damage the fabric cover.

Reverse the above process to put the cover back onto the bouncer frame.



## 11. Care and Maintenance

### 11.1. CLEANING



- Sponge/spot clean with warm water and diluted detergent. Wipe plastics and metals with a damp cloth. A mild disinfectant may be used.
- Sponge clean the harness with a mild soap and water solution. Rinse and wipe dry.
- Do not wash the toys. Wipe clean only using a soft sponge with diluted detergent or water.
- Never clean any part of bouncer with abrasive, ammonia based, bleach based or spirit type cleaners.
- Ensure the bouncer is fully dry before use or storage.
- Always ensure the bouncer is stored in a dry place away from direct sunlight.

### 11.2. MAINTENANCE

- Regularly maintain your bouncer to keep it in good working order.
- Regularly check all parts of the product to ensure that they are operating correctly and for signs of wear or damage.
- Do not use this product if any part is broken, torn or missing and use only spares provided by the manufacturer.



If you have any questions or concerns regarding this product,  
do not hesitate to contact our expert team online  
via [online4baby.com/contact-us](https://online4baby.com/contact-us)

Feeling social?    
[online4baby.com](https://online4baby.com)

Imported by Online4baby Ltd,  
Meadowbank, Tweedale Way, Oldham, OL9 8EH