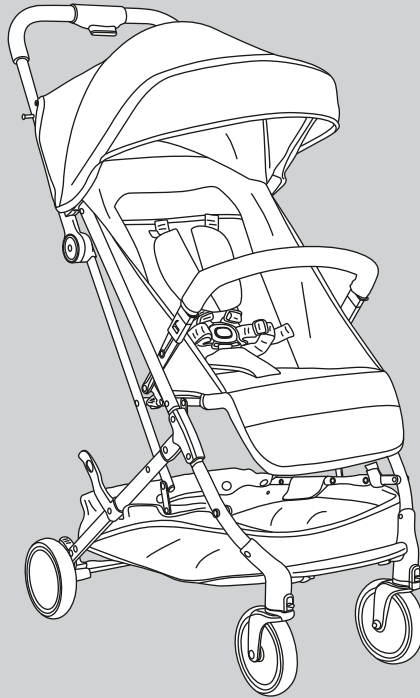


# City Travel Compact Fold Stroller

Instruction manual



**IMPORTANT! READ CAREFULLY  
AND KEEP FOR FUTURE REFERENCE.**

**Warning:** **The** child's safety is your responsibility.

This product is tested and approved to  
EN1888-1:2018+A1:2022

# 1. Welcome

Thank you for purchasing the Puggle City Travel Compact Fold Stroller.

Please read the instructions and warnings carefully before use to ensure safe and satisfactory operation of your Puggle City Travel Compact Fold Stroller.

If you have a query with this product or require replacement parts, please contact Online4baby online at [online4baby.com/contact-us](http://online4baby.com/contact-us).

## 2. Safety instructions

### IMPORTANT! READ CAREFULLY AND KEEP FOR FUTURE REFERENCE.

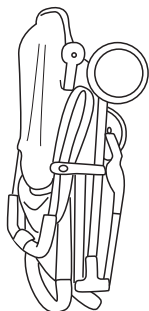
- **WARNING!** Please ensure that you follow the instructions enclosed as failure to do so may result in potential injury to the child.
- **WARNING!** The child's safety is your responsibility.
- **WARNING!** Before using, remove and dispose of any plastic bags and other packaging (e.g. fasteners, fixing ties, etc.) and keep them out of reach of children.
- **WARNING!** This vehicle is intended for one child from Birth up to 36 months (maximum weight of 15kg).
- **WARNING!** Never leave the child unattended.
- **WARNING!** Ensure that all locking devices are engaged before use.
- **WARNING!** To avoid injury, ensure that your child is kept away when unfolding and folding this product.
- **WARNING!** Do not let the child play with this product.
- **WARNING!** Always use the restraint system.
- **WARNING!** Always use the crotch strap in combination with the waist belt section of the harness.
- **WARNING!** This product is not suitable for running or skating.
- **WARNING!** Any load attached to the handles affects the stability of the stroller.
- **WARNING!** Never lift the stroller with the child in it.
- **WARNING!** Check that the seat unit attachment devices are correctly engaged before use.
- **WARNING!** For a newborn baby, the seat unit should be in the most reclined position.
- **WARNING!** Use the stroller for only one child at a time.
- A basket is provided for the carriage of 3kg of items evenly distributed.
- Do not let children play with or hang on the stroller.
- Do not overload this stroller with additional children, goods or accessories.
- Bags and other items should not be hung from the handle as this can affect the stability of the stroller.
- Overloading, incorrect folding and the use of non-approved accessories is unsafe and may damage or break this stroller.
- Only replacement parts supplied or recommended by the manufacturer/distributor shall be used.
- Always apply the parking brake when the stroller is stationary.
- Ensure the parking brake is engaged during the placing and removing of children.

## 2. Safety instructions

- Do not allow your child to climb into or out of the stroller alone.
- DO NOT use if any part is broken, torn or missing. Check before assembly that all parts are present and have not been damaged in transit. Should any part be broken and/or damaged, do not use and keep out of reach of children.
- Be careful when going up or down kerbs.
- Remove your child and fold the stroller when going up or down escalators.
- If your stroller is used by someone unfamiliar with it e.g. Grandparents, always show them how it works.
- Do not use this stroller near an open fire or exposed flame.
- Take care in windy conditions.
- Do not place anything on top of a raincover.
- To prevent your child overheating, always fold or remove a raincover, hood and apron when indoors or in warm environments.
- This product conforms to EN 1888-1: 2018+A1: 2022.

### 3. Parts List - Stroller

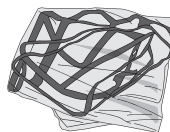
A



B



C



**Contained in your carton are:**

<b>Nº</b>	<b>Part</b>	<b>Qty</b>
A	Stroller	1
B	Bumper bar	1
C	Raincover	1

## 4. Unfolding

### 4.1. STROLLER ASSEMBLY

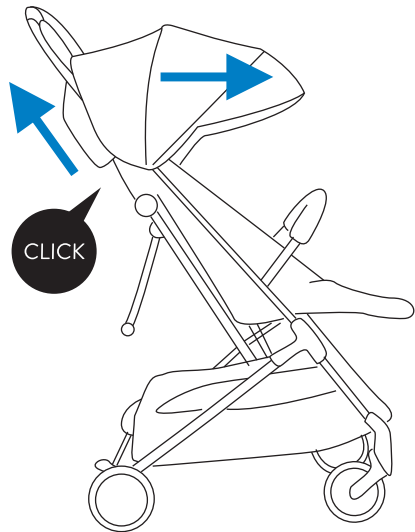
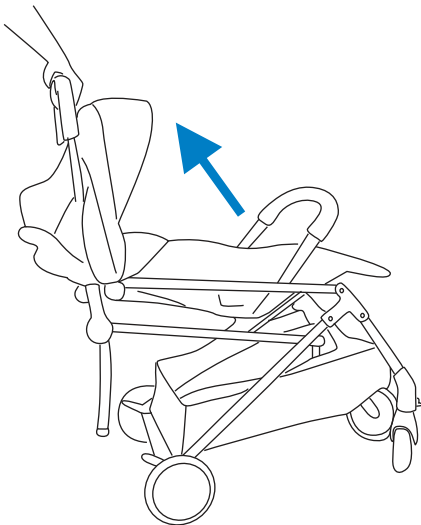
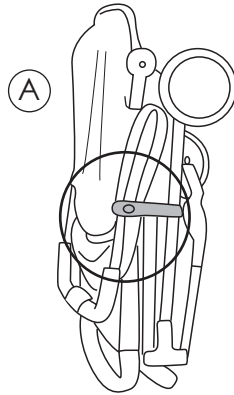
1. Open the locking hook to unfold the frame. Holding the handle pull the frame upwards and back towards yourself. The stroller is fully extended when you hear a 'click'.

#### **WARNING!**

**Do not use or place child in the pushchair if the pushchair is not fully extended and clicked into place.**

**HINT.** You may have to squeeze the stroller legs and handles together first so as to release the tension on the locking hook.

To unfold the canopy push it forwards away from the hand.

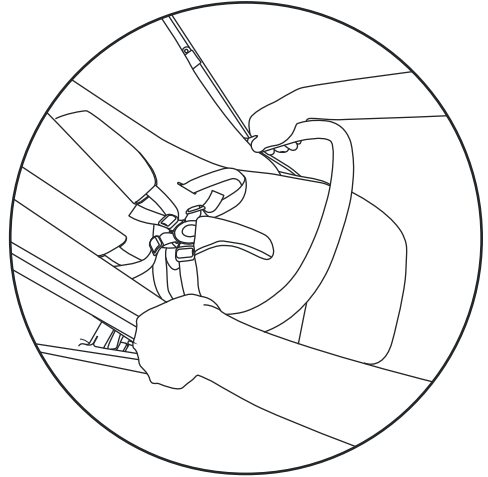
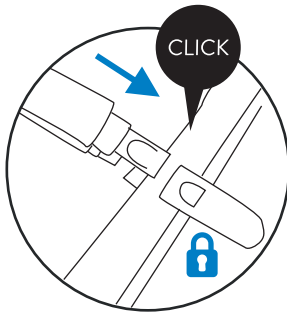
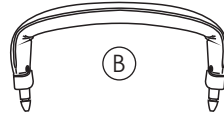


## 5. Bumper bar

### 5.1. BUMPER BAR ASSEMBLY

Insert the bumper bar (B) into the corresponding slots on the frame, push until you hear a “click”. Give the bumper bar a tug to ensure it’s securely in place.

**To remove** the bumper bar, simply press the release buttons on both sides and lift off.



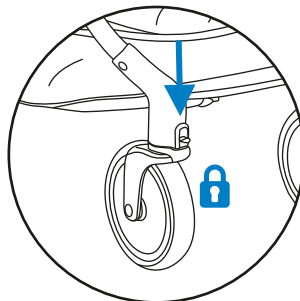
## 6. Swivel Wheels

### 6.1. LOCKING & UNLOCKING SWIVEL WHEELS

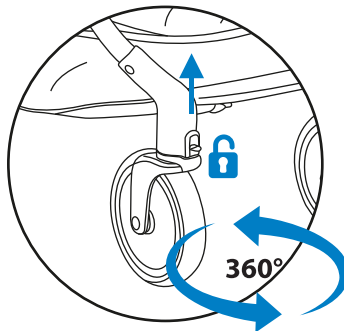
When travelling along straight surfaces or uneven terrain, the front wheels may spin.



1. To lock the front wheels, push down on the lever located at the front of the wheels.



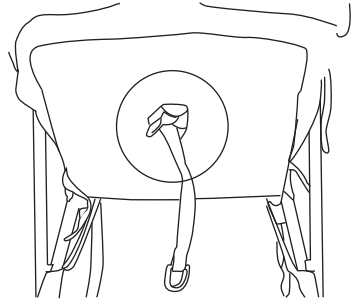
2. To go back to 360° swivel mode, push lever upwards.



## 7. Backrest Adjustment

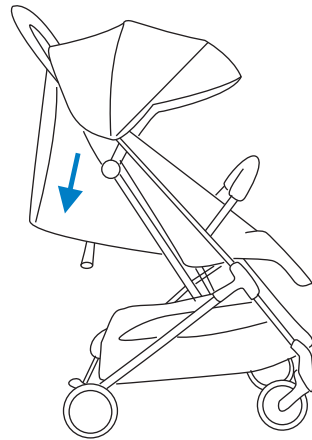
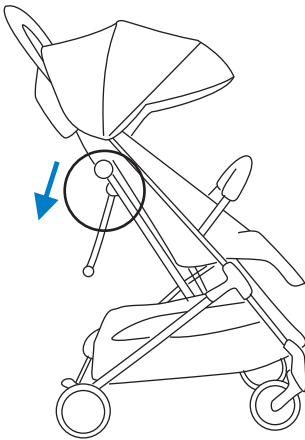
### 7.1. BACKREST

Locate the backrest adjustment mechanism at the rear of the seat. Squeeze the adjustment clip and slide the backrest up or down to your chosen position, then release the clip to fix seat into place.



### **WARNING!**

**Ensure the backrest is positioned to the lowest most reclined position for newborn babies.**



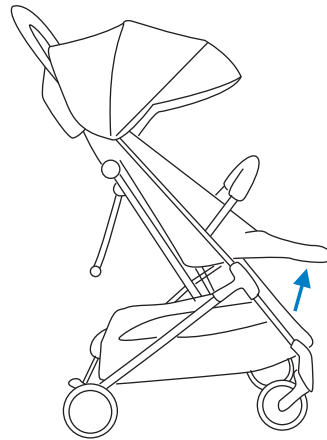
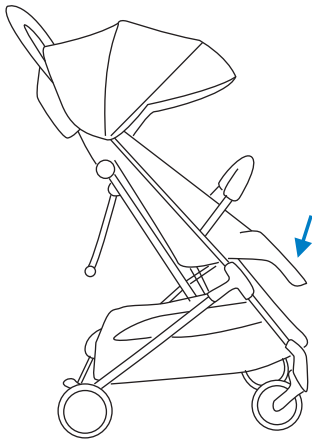
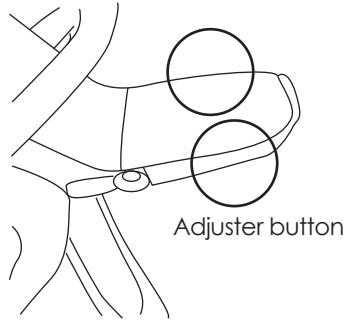


## 8. Calf Rest Adjustment

### 8.1. CALF REST

Squeeze the adjustment buttons on both sides of the calf rest simultaneously and adjust to preferred position.

**To note**, the adjuster buttons are within the calf rest fabric cover.



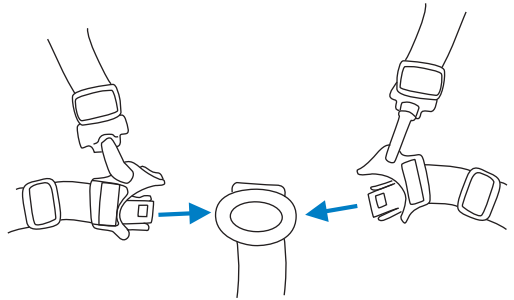
# 9. Harness Adjustment

## 9.1. HARNESS

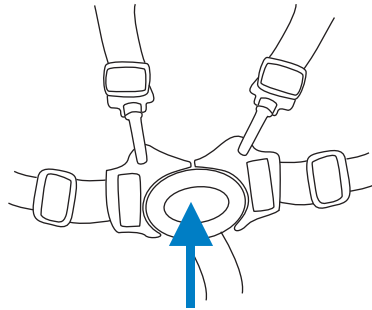
To secure the safety harness, slide the clip on both sides into the centre harness buckle until you hear a 'click'.

### **WARNING!**

Always adjust the harness to fit your child correctly for their comfort and safety. A loose fitting harness can be very dangerous.

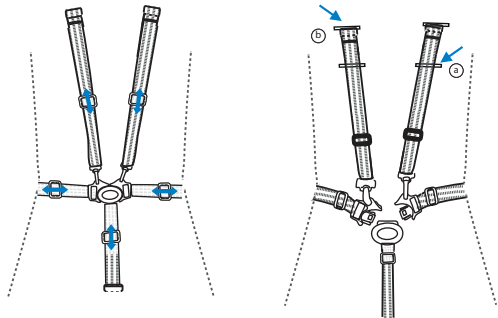


**To release**, press the button in the centre of the harness buckle.



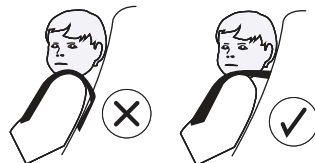
To adjust the harness, move the sliders as shown.

The stroller has 2 height positions. Slots 'a' for smaller children and slot 'b' for older children.



### **WARNING!**

Always adjust the shoulder strap height according to baby height and ensure that both straps are at the same height.



# 10. Brakes

## 10.1. ENGAGE BRAKES

Press down on either brake pedal to engage the brake. Listen for the “click” signalling that the brake is locked.



### **WARNING!**

Always engage wheel brakes when the stroller is not moving.

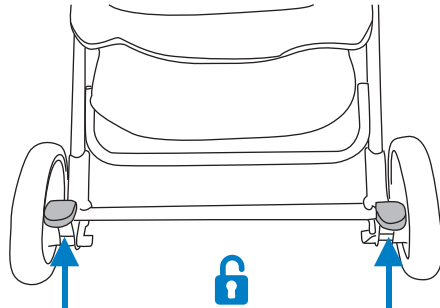


### **WARNING!**

Never press onto the bar connecting the brake pedals.

## 10.2. DISENGAGE BRAKES

Push the brake pedal upwards to disengage the brake.



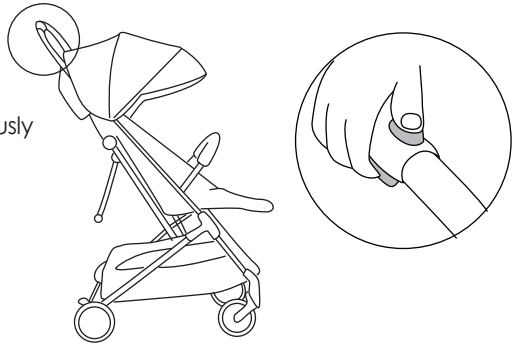
### **WARNING!**

Always apply the brake when you are placing and removing the child.

# 11. Folding

## 11.1. FOLDING

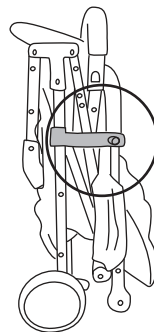
To release the frame slide the lever found on the middle of the handlebar to the left while simultaneously holding down the release button also located in the centre of the handle.



Push the frame forwards and down folding the stroller flat.



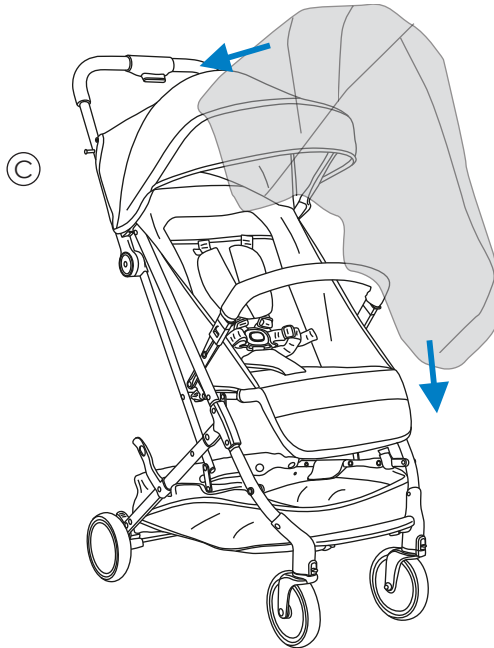
Push frame together and ensure the locking latch has automatically locked before lifting the stroller.



## 12. Raincover

### 12.1 RAINCOVER

Locate the raincover (C). Pull the raincover down over the pram starting at the top of the canopy and pulling down towards the footrest. Connect fasteners around the chassis to secure.



## 13. Care and Maintenance

### 13.1. CLEANING

- Spot or sponge clean fabrics with mild detergent. Use mild soap or upholstery shampoo. NEVER use bleach. Dry in shade thoroughly before reuse and avoid direct heat and sunlight. Do not iron. Do not dry clean. Do not bleach.
- Wipe clean plastics and metals with a damp cloth.
- Never clean any part of the product with abrasive, ammonia based, bleach based or spirit type cleaners.
- Ensure the product is fully dry before use or storage.
- Always ensure the product is stored in a dry place to prevent mold or mildew developing.

### 13.2. MAINTENANCE

- The product requires regular maintenance to ensure correct and safe performance.
- Regularly inspect the wheels, locks, brakes, harness, catches, seat adjusters, joints and fixings to ensure they are clean, operating correctly and in full working order.
- Regularly check and lubricate the wheels.
- Do not use this product if any part is broken, torn or missing and use only spares provided by the manufacturer.
- Always check your stroller for loose screws, ensure they are tightened properly.
- If parts become stiff or difficult to operate, ensure dirt is not the cause, then try a light application of a silicon lubricant, ensuring it penetrates between the components. Regular lubrication of moving parts will extend the life of your product and make opening and folding easier.
- After exposure to damp conditions, dry off with a soft cloth and leave fully open in a warm environment. Storing damp will encourage mildew to form.
- Store in a dry place.
- Do not leave in sunlight for prolonged periods as some fabrics may fade.



If you have any questions or concerns regarding this product,  
do not hesitate to contact our expert team online  
via [online4baby.com/contact-us](https://online4baby.com/contact-us)

Feeling social?    
[online4baby.com](https://online4baby.com)

Imported by Online4baby Ltd,  
Meadowbank, Tweedale Way, Oldham, OL9 8EH