

Sofia Dolls 3 Wheel Jogger Pushchair

Instruction manual



**IMPORTANT - RETAIN FOR FUTURE
REFERENCE, READ CAREFULLY.**

Warning: A child's safety is your responsibility.

This product is tested and approved to
EN 71

1 .Welcome

Thank you for purchasing the Puggle Sofia Dolls 3 Wheel Jogger Pushchair. Please read the instructions and warnings carefully before use to ensure safe and satisfactory operation of your Puggle Sofia Dolls 3 Wheel Jogger Pushchair.

If you have a query with this product or require replacement parts, please contact Online4baby online at online4baby.com/contact-us.

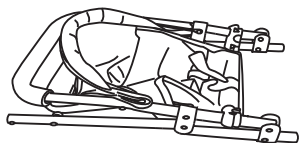
2. Safety instructions

IMPORTANT! PLEASE READ THE FOLLOWING INSTRUCTIONS CAREFULLY BEFORE INSTALLING THE PRODUCT.

- **WARNING!** Keep for future reference. The child may be hurt if you do not follow these instructions.
- **WARNING!** Choking hazard due to small parts.
- **WARNING!** This stroller is not suitable for children under 36 months.
- **WARNING!** This product is a toy and is not suitable for carrying babies, children or pets.
- **WARNING!** Assembly should be carried out by an adult to prevent the item collapsing during use.
- **WARNING!** Please remove all packaging before giving this item to a child.
- **WARNING!** Adults should check the product regularly to prevent collapsing during play.

3. Parts List

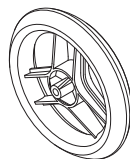
A



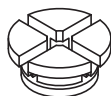
B



C



D



E



F



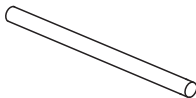
G



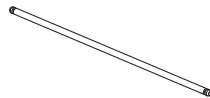
H



I



J



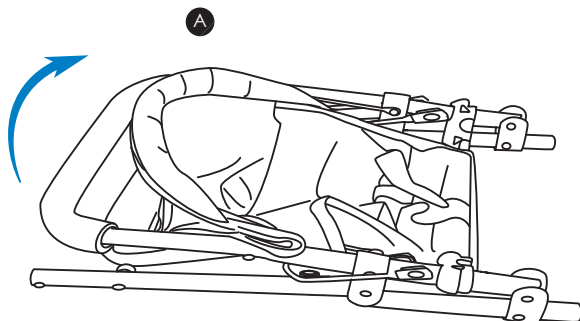
Contained in your carton are:

N°	Part	Qty
A	Pushchair chassis	1
B	Rear wheels	2
C	Front wheel	1
D	Wheel clip	2
E	Wheel cap	2
F	Front wheel connector joint	2
G	Front wheel frame protector	2
H	Front axle plastic spacers	2
I	Front wheel axle bar	1
J	Rear wheel axle bar	1

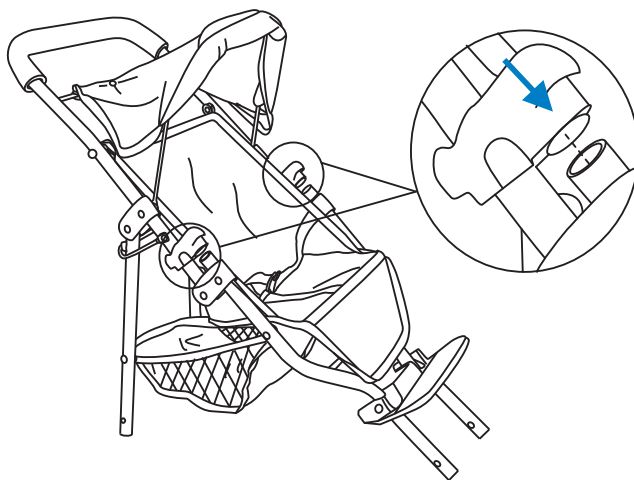
4. Assembly

4.1. STROLLER ASSEMBLY

Lift the handle to open and unfold the stroller.
You will here the chassis "click" when secured.



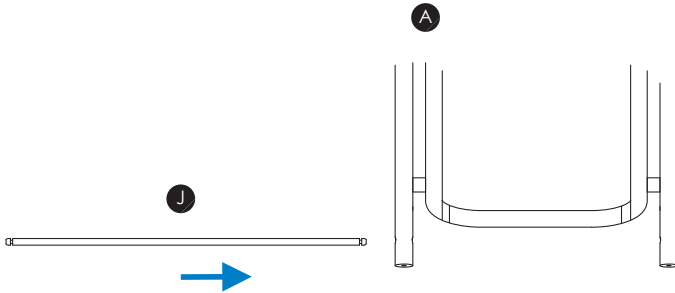
Open stroller frame fully and secure by aligning the stroller frame locks with the lower frame and press down until securely attached.



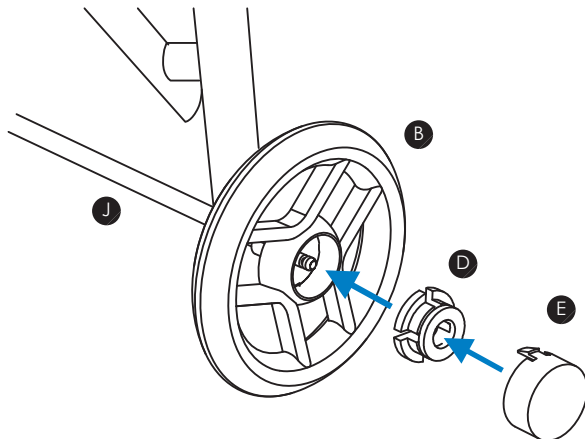
4. Assembly

4.2. REAR WHEEL ASSEMBLY

Take the rear wheel axle bar (J) and feed it through the wholes on the back leg chassis frame (A).



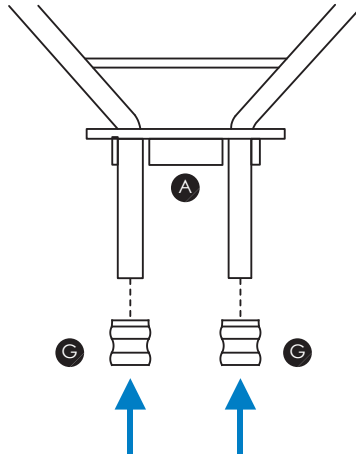
Push the rear wheels (B) onto the axle pin of the rear axle bar (J). Secure the wheels in place using a wheel clip (D) followed by a wheel cover (E).



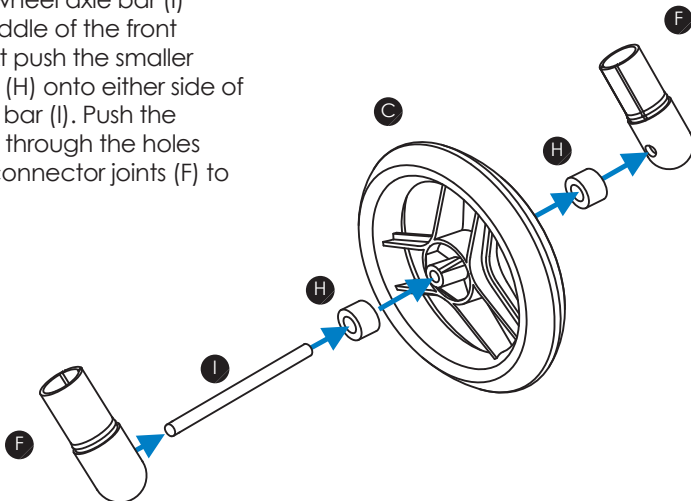
4. Assembly

4.3. FRONT WHEEL ASSEMBLY

Connect the plastic frame potector (G) to the front wheel frame (A).



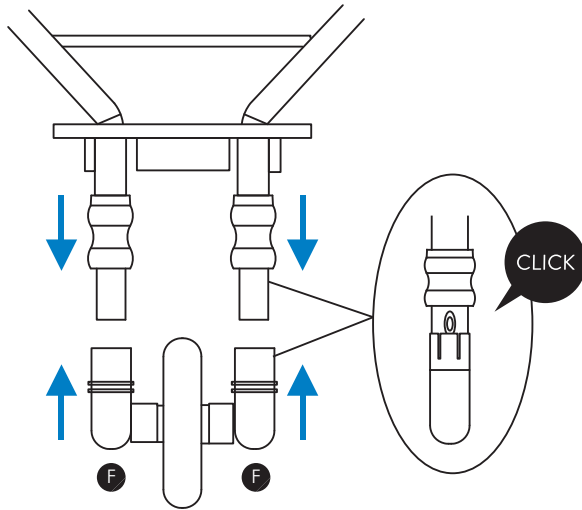
Push the front wheel axle bar (I) through the middle of the front wheel (C). Next push the smaller plastic spacers (H) onto either side of the wheel axle bar (I). Push the wheel axle bar through the holes on the wheel connector joints (F) to secure.



4. Assembly

4.3. FRONT WHEEL ASSEMBLY (CONTINUED)

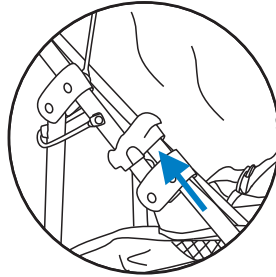
Connect the front wheel connector joints (F) to the front wheel frame, push upwards until you hear a "click".
Give the wheel a gentle tug to ensure it is connected securely.



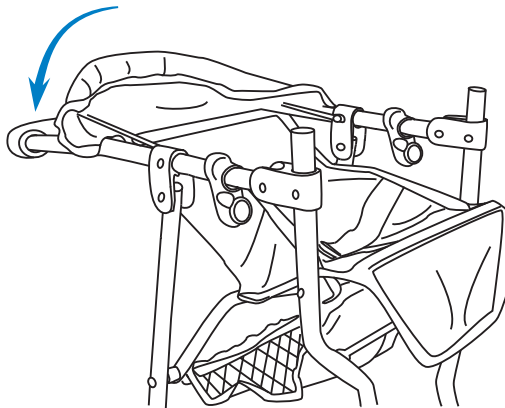
5. Folding

5.1. FOLDING

To fold pull up the centre frame locks on either side of the stroller.



Push the handlebar down to fold the frame side together.



6. Care and Maintenance

6.1. CLEANING


- Spot or sponge clean fabrics with mild detergent. Use mild soap or upholstery shampoo. NEVER use bleach. Dry in shade thoroughly before reuse and avoid direct heat and sunlight. Do not iron. Do not dry clean.
- Wipe clean plastics and metals with a damp cloth.
- Never clean any part of the product with abrasive, ammonia based, bleach based or spirit type cleaners.
- Ensure the product is fully dry before use or storage.
- Always ensure the product is stored in a dry place to prevent mold or mildew developing.

6.2. MAINTENANCE

- The product requires regular maintenance to ensure correct and safe performance.
- Regularly inspect the joints and fixings to ensure they are clean, operating correctly and in full working order.
- Do not use this product if any part is broken, torn or missing and use only spares provided by the manufacturer.
- If parts become stiff or difficult to operate, ensure dirt is not the cause, then try a light application of a silicon lubricant, ensuring it penetrates between the components. Regular lubrication of moving parts will extend the life of your product and make opening and folding easier.
- After exposure to damp conditions, dry off with a soft cloth and leave fully open in a warm environment. Storing damp will encourage mildew to form.
- Store in a dry place.
- Do not leave in sunlight for prolonged periods as some fabrics may fade.



If you have any questions or concerns regarding this product,
do not hesitate to contact our expert team online
via online4baby.com/contact-us

Feeling social?  
online4baby.com

Imported by Online4baby Ltd,
Meadowbank, Tweedale Way, Oldham, OL9 8EH