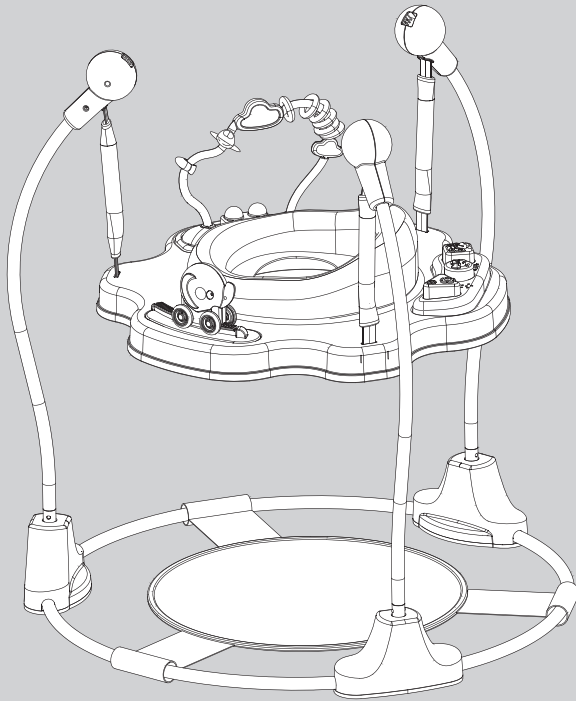


Jump & Bounce Activity Centre

Instruction manual



**IMPORTANT - RETAIN FOR FUTURE
REFERENCE. READ CAREFULLY.**

Warning: A child's safety is your responsibility.

This product is tested to EN 14036

1. Welcome

Thank you for purchasing the Puggle Jump & Bounce Activity Centre.

Please read the instructions and warnings carefully before use to ensure safe and satisfactory operation of your Puggle Jump & Bounce Activity Centre.

If you have a query with this product or require replacement parts, please contact Online4baby online at online4baby.com/contact-us.

2. Safety instructions

IMPORTANT! READ THESE INSTRUCTIONS CAREFULLY BEFORE ASSEMBLY AND USE.

- **WARNING!** Keep for future reference. The child may be hurt if you do not follow these instructions.
- **WARNING!** NEVER LEAVE THE CHILD UNATTENDED.
- **WARNING!** A child's safety is your responsibility.
- **WARNING!** Always keep the child in view while in product.
- **WARNING!** DO NOT USE THE BABY BOUNCER AS A SWING.
- Suitable for a child that can support its head unaided (approximately from 6 months), and up to a maximum weight of 12kg.
- Ensure baby is correctly and safely positioned in the seat.
- Adult assembly is required. Small parts assembling only by adults.
- YOUR CHILD'S SAFETY IS YOUR RESPONSIBILITY!
- Not suitable for children who can walk unaided or who weigh more than 12kg.
- Baby should only use this product for a maximum of 20 minutes at a time.
- Never use near stairs, steps, inclined surfaces or areas that may be hazardous to a child.
- Strings can cause strangulations! DO NOT suspend over product or attach strings to toys.
- Secure all points of fire and cooking appliances.
- Keep hot drinks, electrical cords and other possible sources of danger out of your child's reach.
- Do not use the product if any components are broken or missing.
- Do not use replacement parts other than those approved by the manufacturer or distributor.
- Don't allow other children to play around the product.
- DO NOT under any circumstances apply excessive pressure to the top tray.
- Older siblings should not be allowed to play with the product whilst the child is in it as this can be dangerous.
- The product should be used with caution since skill is required to avoid falls or collisions causing injury to the user or third parties.
- Keep children away from this product during set-up and when not in use.
- Do not allow baby to fall asleep in the jumper.
- Do not attempt to move or lift this jumper when a baby is in it.

3. Battery Safety Instructions

Use a small cross head screwdriver to open the battery compartment door on the electronic toy tray. Insert the battery as indicated inside the battery door and replace the screw. The electronic toy tray requires two 1.5V "AA" Alkaline batteries.

ATTENTION! BATTERY SAFETY: KEEP FOR FUTURE REFERENCE.

WARNING! Dispose of used batteries immediately. Keep new and used batteries away from children. If you think batteries might have been swallowed or placed inside any part of the body, seek immediate medical attention.

CAUTION: To prevent possible battery leakage, be sure to follow the guidelines outlined below:

- Insert batteries in the correct polarity position (+ and -).
- Do not short circuit battery terminals.
- Remove batteries during long periods of non-use. Always remove exhausted batteries from product. Dispose of batteries properly.
- Batteries must only be installed by an adult.
- Use caution when opening battery compartment as some batteries may leak, explode or catch on fire.
- Do not submerge in water or other liquids.
- Do not dispose of this product in a fire. The batteries inside may explode or leak.
- Only batteries of the same or equivalent type as recommended are to be used.
- Do not charge non-rechargeable batteries. Remove rechargeable batteries before charging. Do not mix old and new batteries.

The electronic toy tray requires 2 "AA" Alkaline batteries (not included).



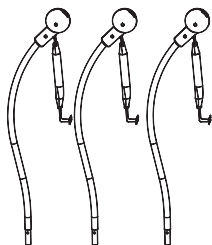
The crossed bin symbol on the appliance indicates that the product at the end of its life, must be disposed of separately from domestic waste, either by taking it to a separate waste disposal site for electric and electronic appliances or by returning it to your dealer when you buy another similar appliance. The user is responsible for taking the appliance to a special waste disposal site at the end of its life. If the disused appliance is collected correctly as separate waste it can be recycled, treated and disposed of ecologically. This avoids a negative impact on both the environment and health and contributes towards the recycling of the product's materials. For further information regarding the waste disposal services available, contact your local waste disposal agency or the shop where you bought the appliance.

4. Parts List

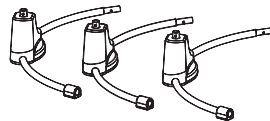
A



B



C



D



E



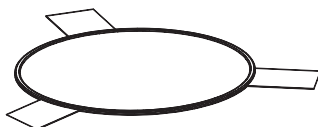
F



G

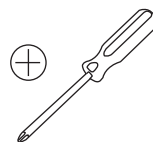


H



Contained in your carton are:

| N ^o | Part | Qty |
|----------------|--|-----|
| A | Top tray | 1 |
| B | Frame sides | 3 |
| C | Frame base | 3 |
| D | Seat Unit | 1 |
| E | Toy bar | 1 |
| F | Electronic toy tray (batteries not included) | 1 |
| G | Elephant toy | 1 |
| H | Base mat | 1 |



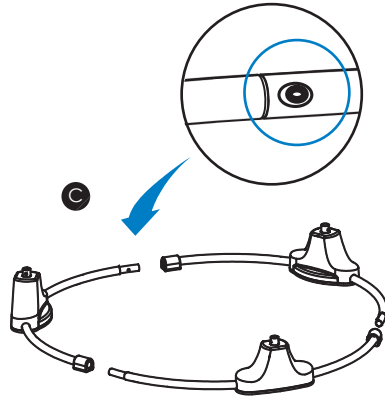
*cross head screwdriver not included

5. Assembly

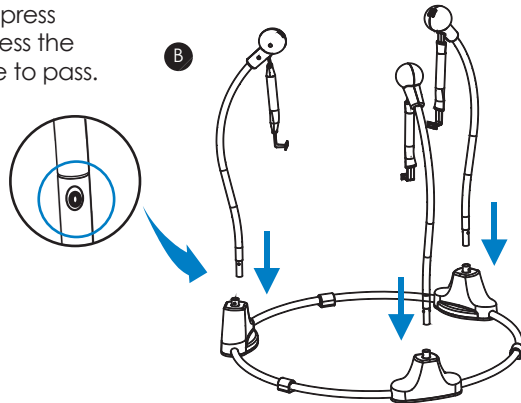
Check that all parts are present before starting assembly.

5.1. ASSEMBLE FRAME

Take the base frames (C) and align them with their matching connectors as shown in the diagram. Push the frame tube together, at the same time press in the locking button to allow frame to pass you will hear a "click" when secured. Repeat for each connector.



Align the side frame (B) connectors with the base frame (C) housing and press downwards, at the same time press the locking button to allow the frame to pass. Listen for a "click" to signal it is secure.

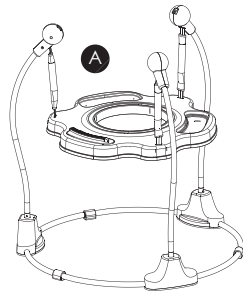
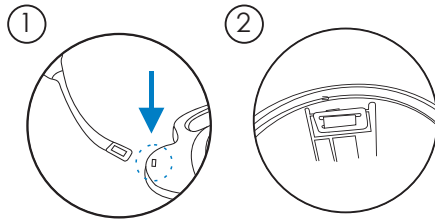


5. Assembly

5.2. ATTACH TOP TRAY

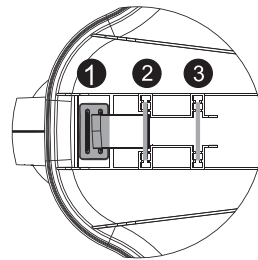
To attach the top tray (A) to the frame feed the connector belt through the slot on the top tray. To secure turn the metal end flat against the back of the top tray.

Repeat for each belt.



The height of the jumper can be adjusted as baby grows. To adjust to height move side the metal end into the slots under the top tray.

CAUTION: Ensure the metal fastener of the belt is fully inserted into the slots on the under side of the top tray.

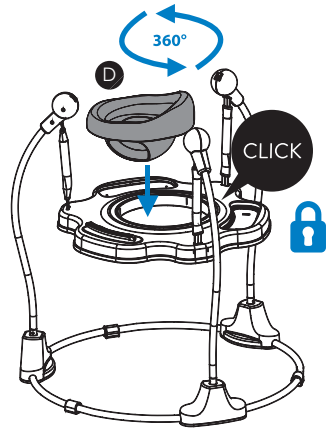


5. Assembly

5.3. CONNECT SEAT UNIT

Place the seat unit (D) in the hole in the centre of top tray. Holding the top tray with one hand press firmly at the sides of the seat unit to secure in place, you will hear a "click" as each side is connected. Check that it is fully secured on all sides.

Turn the seat unit it will smoothly rotate 360°.

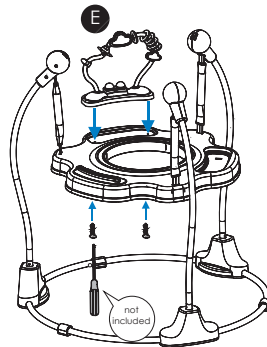


5.4. CONNECT TOY BAR

Screws come with this toy bar, remove these before installing.

Place the toy bar into the toy bar housing on the top tray.

On the under side of the top tray insert the two screws and tighten with a cross head screwdriver to secure the toy bar to the top tray.

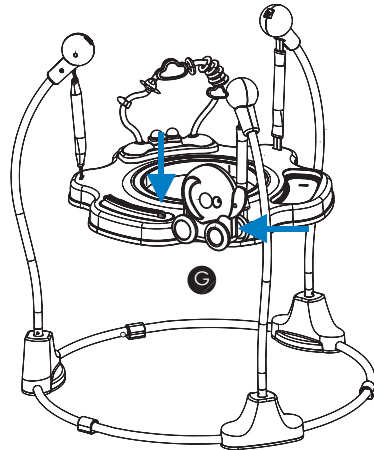
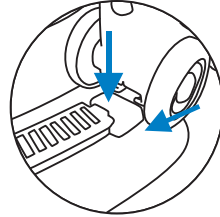


5. Assembly

5.5. ATTACH ELEPHANT TOY

To attached the elephant toy, align the groves of the base to the runner track. There is a red locking button to hold the elephant on the track. Push the elephant down over the locking button and slide it along the track. The button will automatically pop up and the elephant is locked in place.

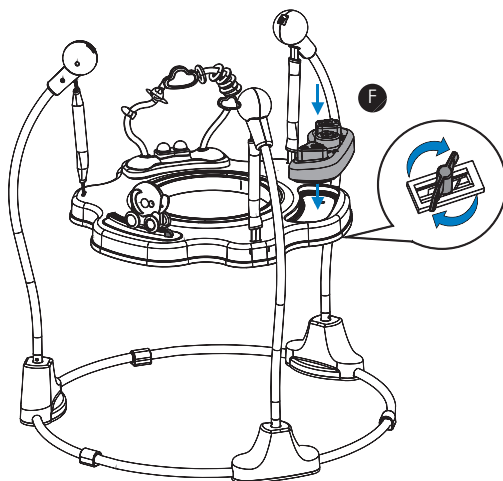
To remove, push the red button and slide the elephant toy off the track.



5. Assembly

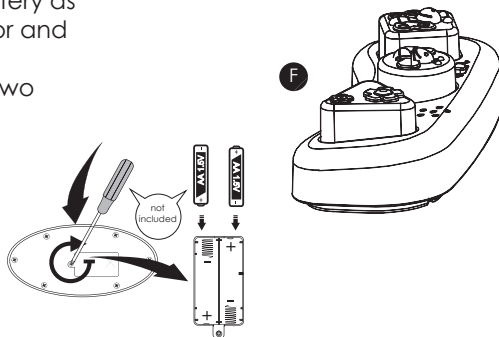
5.6. CONNECT MUSIC BOX

Insert the electronic toy tray into the corresponding housing on the top tray. On the under side of the top tray push the locks up and twist so they are at a right angle to the slot.



To insert the batteries use a small cross head screwdriver to open the battery compartment door on the electronic toy tray. Insert the battery as indicated inside the battery door and replace the screw.

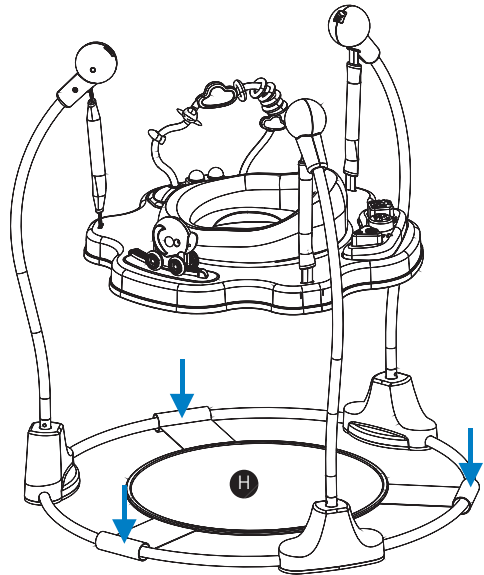
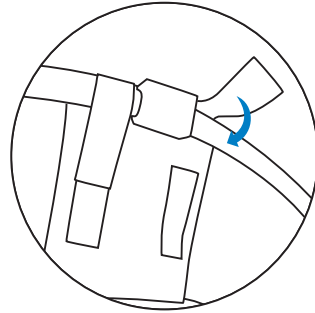
The electronic toy tray requires two 1.5V "AA" Alkaline batteries.



5. Assembly

5.7. ATTACH BASE MAT

Wrap the base mat ends round the frame base and align and connect the touch and close fasteners.



6. Care and Maintenance

6.1. CLEANING AND MAINTENANCE

- Spot clean fabrics only using soft sponge with mild detergent. NEVER use bleach. Do not iron. Do not dry clean. Dry thoroughly before re-use or storage.
- Wipe the frame clean with a soft clean cloth and mild soap. NEVER use bleach.
- Clean the plastic parts with a damp cloth and dry immediately with a soft clean cloth.
- Never clean any part with abrasive, ammonia based, bleach based or spirit type cleaners.
- Ensure the product is fully dry before use or storage.
- Always ensure the walker is stored in a dry place to prevent mold or mildew developing. Store away from any heat sources and not in the sun. Prolonged exposure to direct sunlight may cause the fabric to fade.

6.1. MAINTENANCE

- The correct use and maintenance of this jumper is essential.
- This product requires regular maintenance to keep it in good working order.
- Regularly check all parts of the product to ensure that they are operating correctly and for signs of wear or damage.
- Do not use this product if any part is broken, torn or missing and use only spares provided by the manufacturer or distributor.



If you have any questions or concerns regarding this product,
do not hesitate to contact our expert team online
via online4baby.com/contact-us

Feeling social?  
online4baby.com

Imported by Online4baby Ltd,
Meadowbank, Tweedale Way, Oldham, OL9 8EH