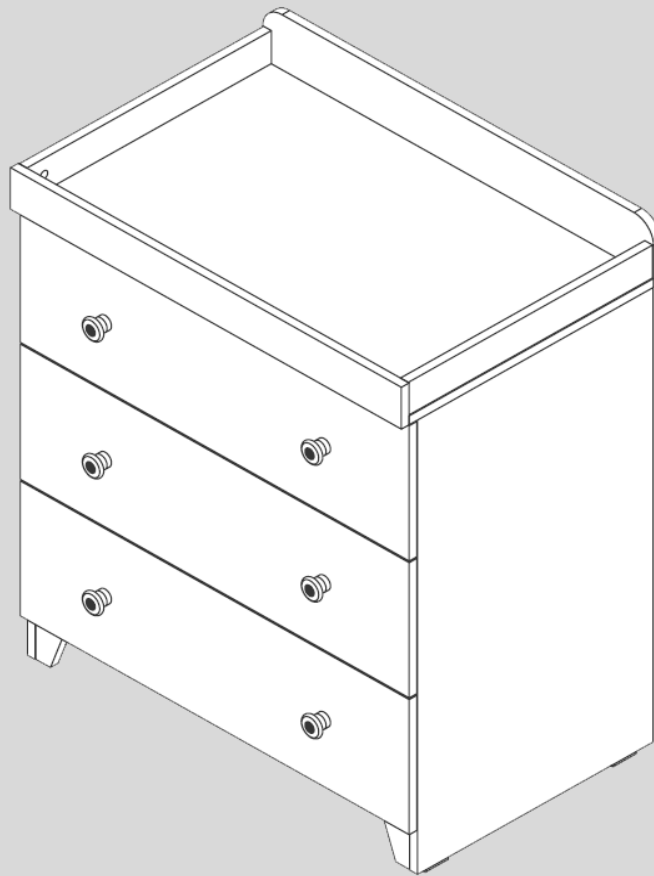


## Classic Dresser

Instruction manual



**IMPORTANT – Please read these instructions carefully before use and retain for future reference.**

This product conforms to BS EN 12221:2008+A1:2013.

# Safety Instructions

**IMPORTANT – Read the instructions carefully before use and keep for future reference.**

- **WARNING:** A child's safety is your responsibility.
- **WARNING:** Never leave the child unattended.
- **WARNING:** Only use on a firm ground which is horizontal, level and dry.
- **WARNING:** Do not let other children play unattended near the Dresser.
- **WARNING:** Do not use if any part of the stand is broken, torn or missing.
- The Dresser is suitable for children from birth up to 11kg (approximately 12 months of age).
- Suitable for use with a changing mat of max size 40 x 76.4cm
- DO NOT attempt to move the Dresser whilst it is in use.
- DO NOT place near an open fire and other sources of strong heat, such as electric bar fires, gas fires etc.
- DO NOT place the Dresser next to another product, which could present a danger of strangulation e.g. strings, blind/curtain cords.
- To prevent entrapment, do not place the Dresser near to other objects.
- DO NOT use this Dresser for anything other than its intended purpose.
- Any additional or replacement parts can only be obtained from the manufacturer or the distributor.
- Regularly check that fixings are secure and if required tighten accordingly.
- Always use the wall attachment strap provided.
- DO NOT use power tools to assemble this product. Power tools can cause screws and their fittings to over-tighten and damage the wood. Power tools will also draw out the embedded insert nuts.
- After product is assembled ensure that all screws are securely tightened.
- Ensure there are no small parts, fittings left after assembly or that can be easily accessible as these can be a choking hazard.
- This product conforms to EN 12221-1:2008+A1:2013.

## Welcome

Thank you for purchasing the Puggle Classic Dresser.

Please read these instructions and safety warnings carefully before use to ensure safe and satisfactory operation of this product.

Your child's safety is your responsibility. If you have a query with this product or require replacement parts, please contact Online4baby online at [online4baby.com/contact-us](http://online4baby.com/contact-us).

Lay out the parts on a soft level surface and compare to the part/fixings checklist. Do not discard any packaging until you are sure that you have all the parts.

**WARNING!** Assembly by an adult. Keep away from children until fully assembled. Keep children clear during assembly as pack contains small parts which may present a choking hazard.

## Before Assembly

Before assembly, please ensure that you have read and understood the instructions. The carefully unpack our dresser and ensure that all parts are present, please see parts list as follows.

Discard packaging in accordance with your local authority guidelines.

We advise that the dresser should be assembled in the room where it is intended to be used, two person assembly is recommended. The dresser should be assembled on a clean surface, free from any sharp objects that could mark or damage the product.

**CAUTION:** There are many small components used in the construction of this dresser. These items should be kept out of reach of young children whilst assembling the unit.

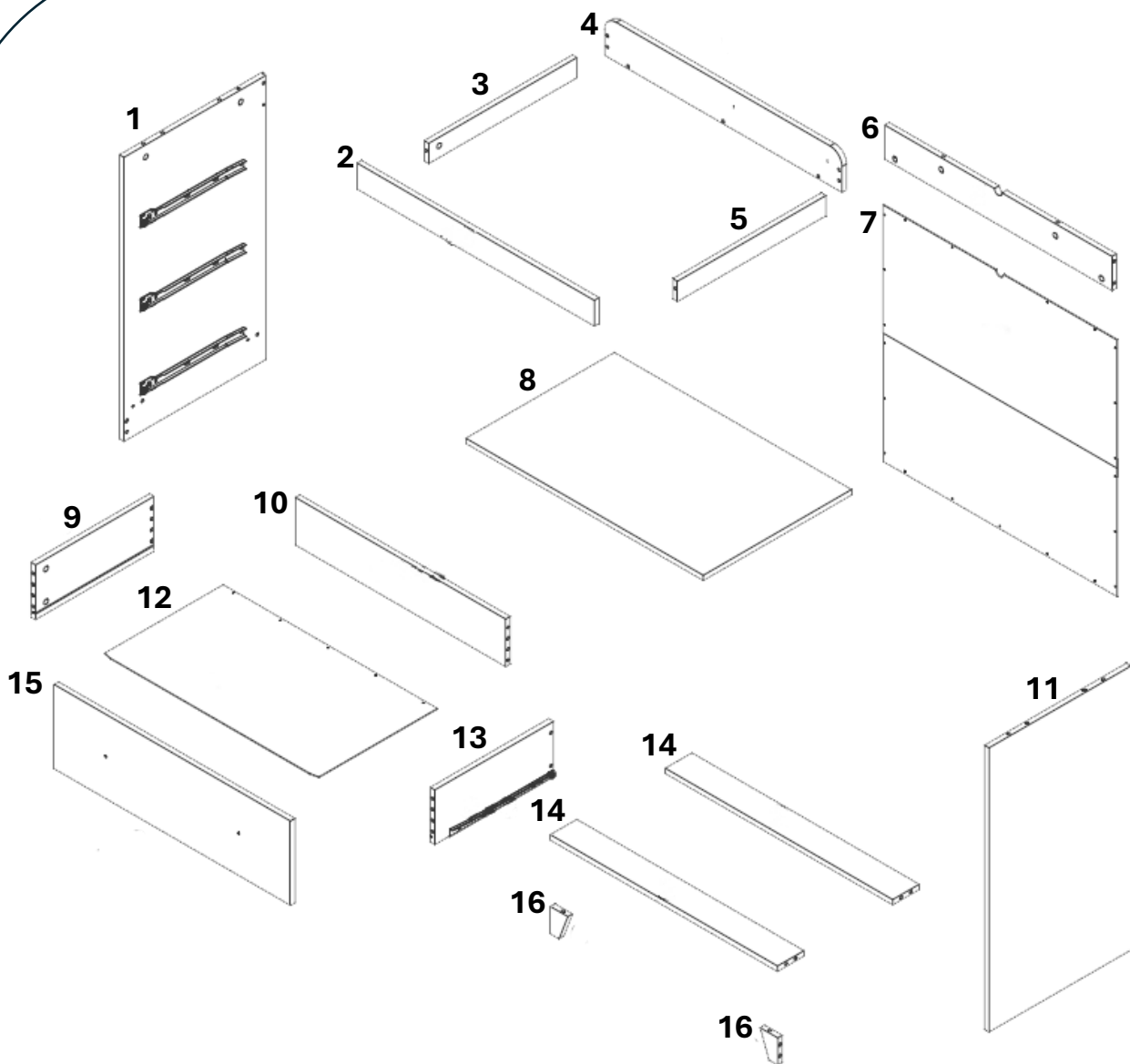
**NOTE:** When unpacking this product there may be a slight odour, this is perfectly normal. We recommend allowing the product to air out in a well-ventilated room to allow the odour to dissipate prior to use.



2 Man assembly recommended, approximate build time 40 minutes.



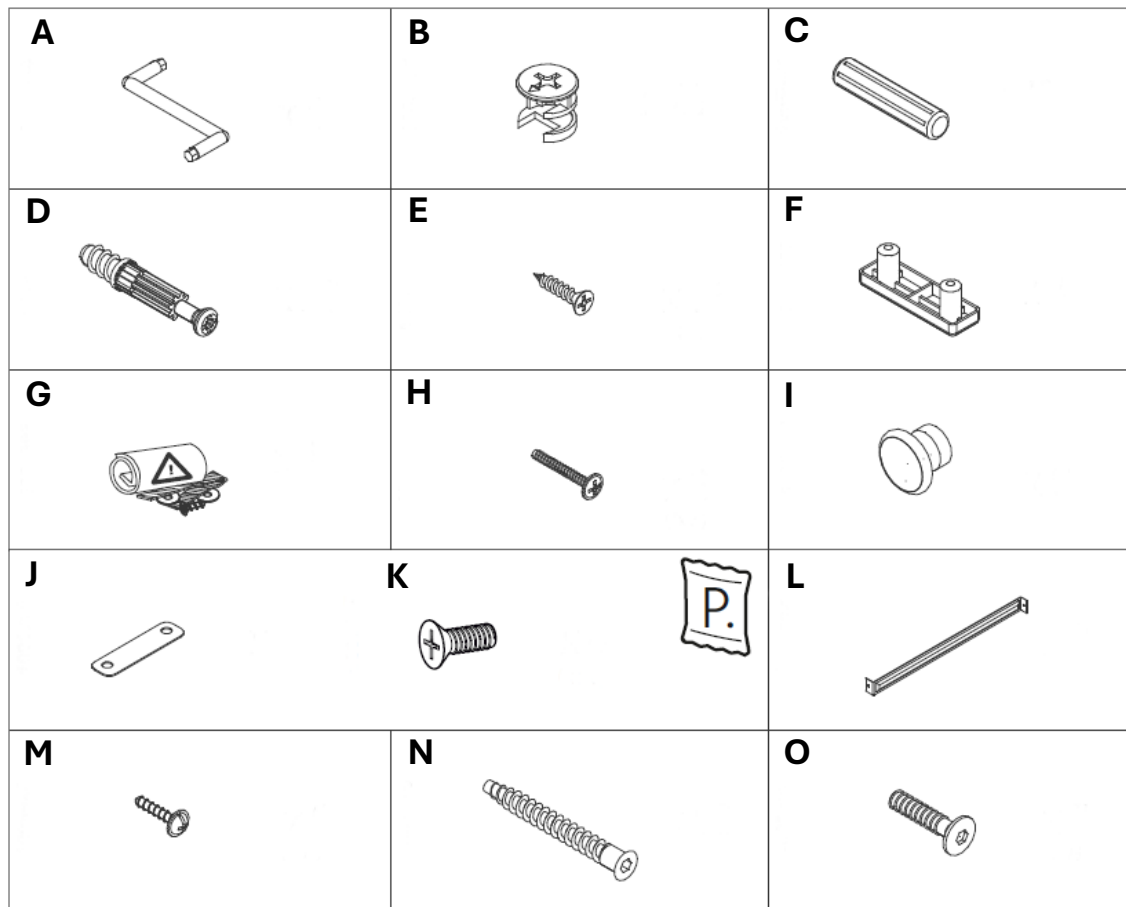
# Parts List



Parts included with your Classic Dresser are:

Part.	Description	Qty	Part.	Description	Qty
1	Left Side Panel	1	9	Left Drawer Side	3
2	Top Front Panel	1	10	Drawer Back	3
3	Top Left Side Panel	1	11	Right Side Panel	1
4	Top Back Panel	1	12	Drawer Base	3
5	Top Right Side Panel	1	13	Right Drawer Side	3
6	Back Panel	1	14	Base Support Panel	2
7	Back Board	1	15	Drawer Front	3
8	Top Panel	1	16	Feet	2

# Fixings List



## Parts included with your Classic Dresser are:

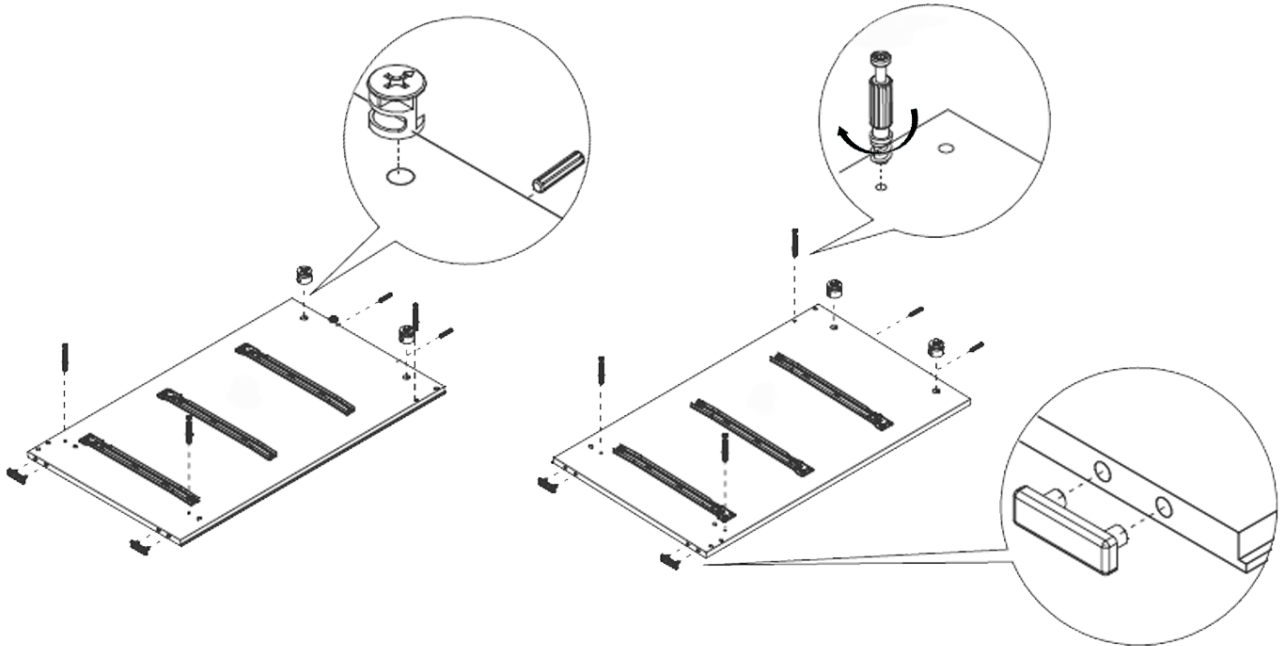
Part.	Description	Qty	Part.	Description	Qty
A	Allen Key	1	I	Drawer Handle	6
B	Cam Lock	26	J	Metal Bracket	2
C	Wooden Dowel	40	K	Screw	4
D	Cam Lock Screw	26	L	Drawer Support	3
E	Wood Screw	36	M	Screw	6
F	Plastic Stopper	4	N	Long Bolt	12
G	Wall Mounting Kit	1	O	Short Bolt	7
H	Handle Screws	6			

A cross-headed screwdriver may also be required when fastening the Cam Locks (B) (not supplied).

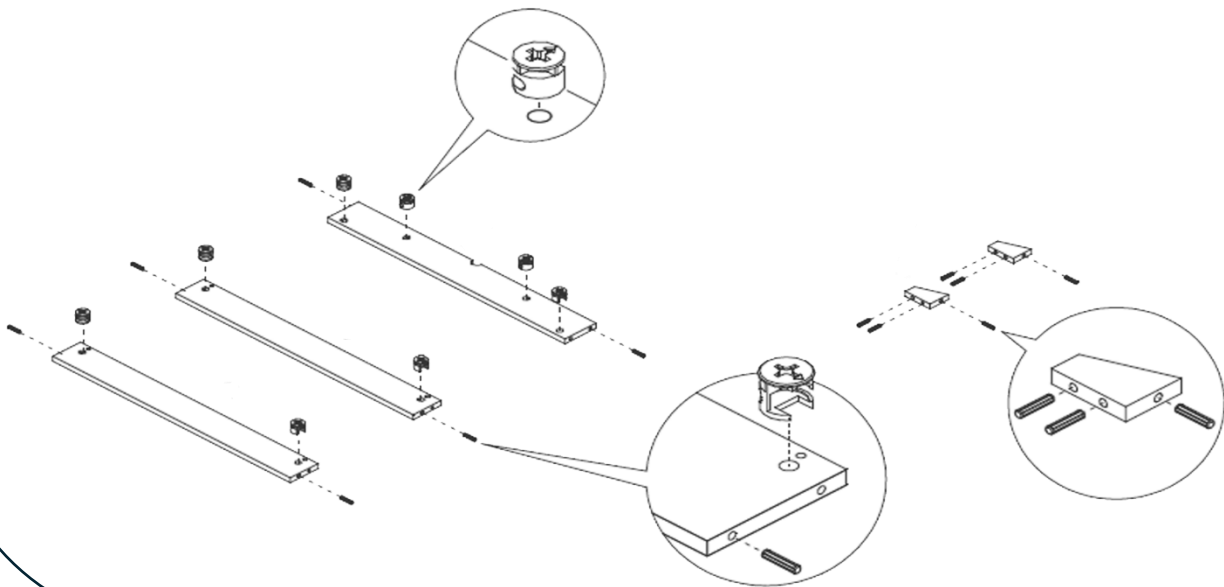
**WARNING: DO NOT use power tools to tighten bolts only use the Allen Key (A) provided.**

## Assembling the Classic Dresser

1. Attach 3 of the Cam Lock Screws (D) to both the Left Side Panel (1) and Right Side Panel (11) using a cross-headed screwdriver (not supplied).
2. Insert the Plastic Stoppers (F) into the corresponding holes on the bottom of both the Left Side Panel (1) and Right Side Panel (11).
3. Insert 2 of the Cam Locks (B) and Wooden Dowels (C) into the corresponding points of both the Left Side Panel (1) and Right Side Panel (11).

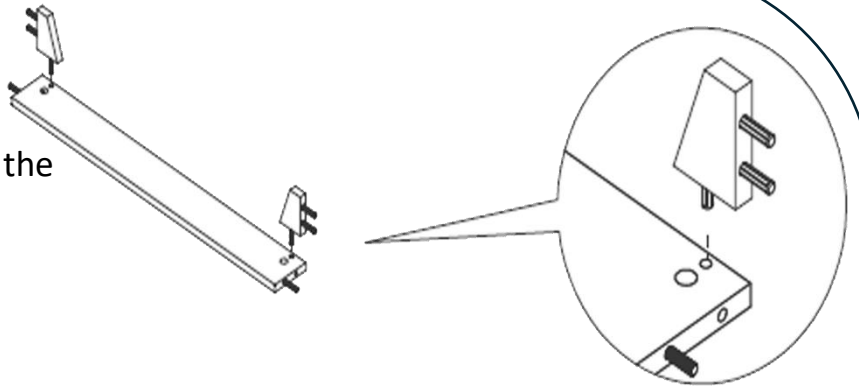


4. Insert both Wooden Dowels (C) and Cam Locks (B) into both Base Support Panels (14). Repeat this with the Back Panel (6) and then insert 3 Wooden Dowels (C) into each of the Feet (16).

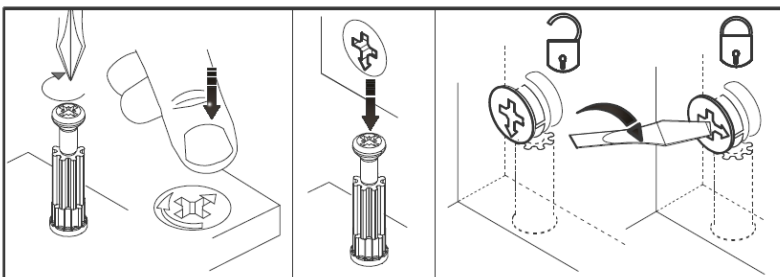
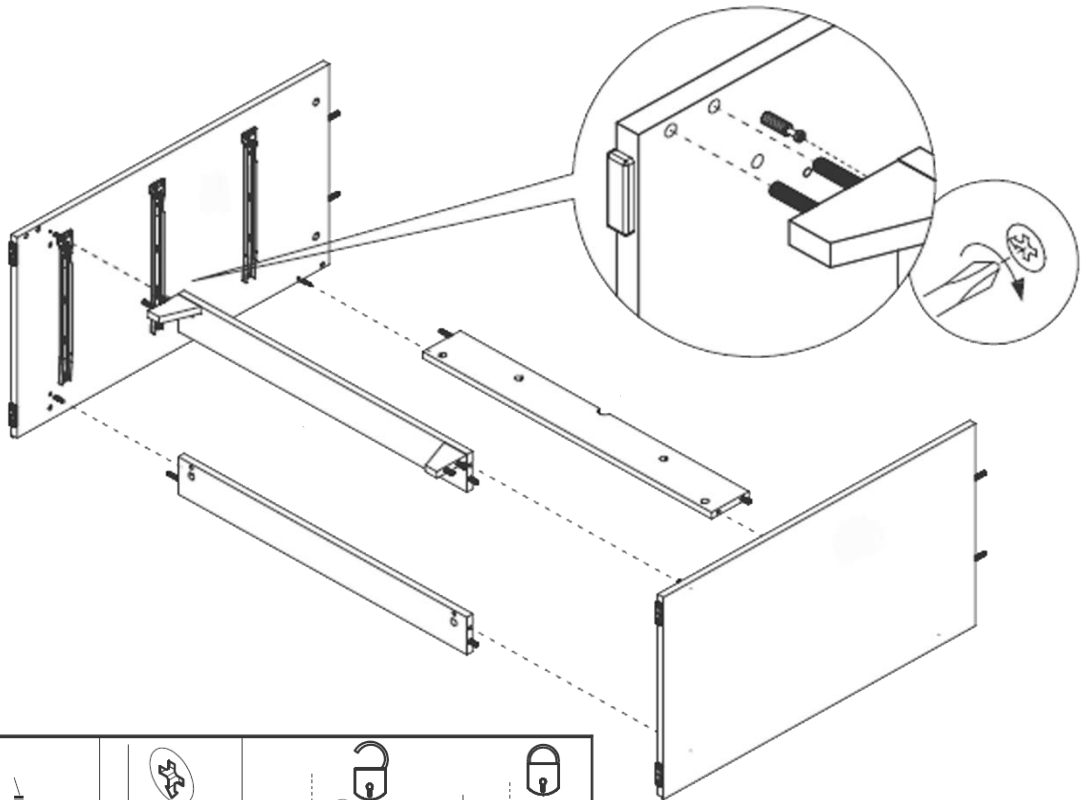


## Assembling the Classic Dresser

5. Insert the Feet (16) into 1 of the Base Support Panels (14) as shown right.

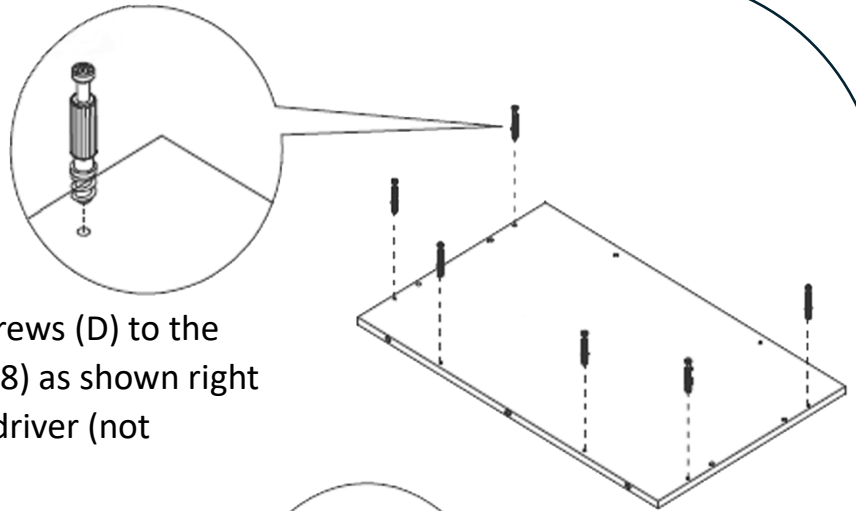


6. Insert both the Base Support Panels (14) and the Back Panel (6) into the Left Side Panel (1), lock the Cam Locks (B) into place on the Cam Lock Screws (D) as shown in the diagram below using a cross-headed screwdriver (not supplied).
7. Repeat the above step with the Right Side Panel (11).

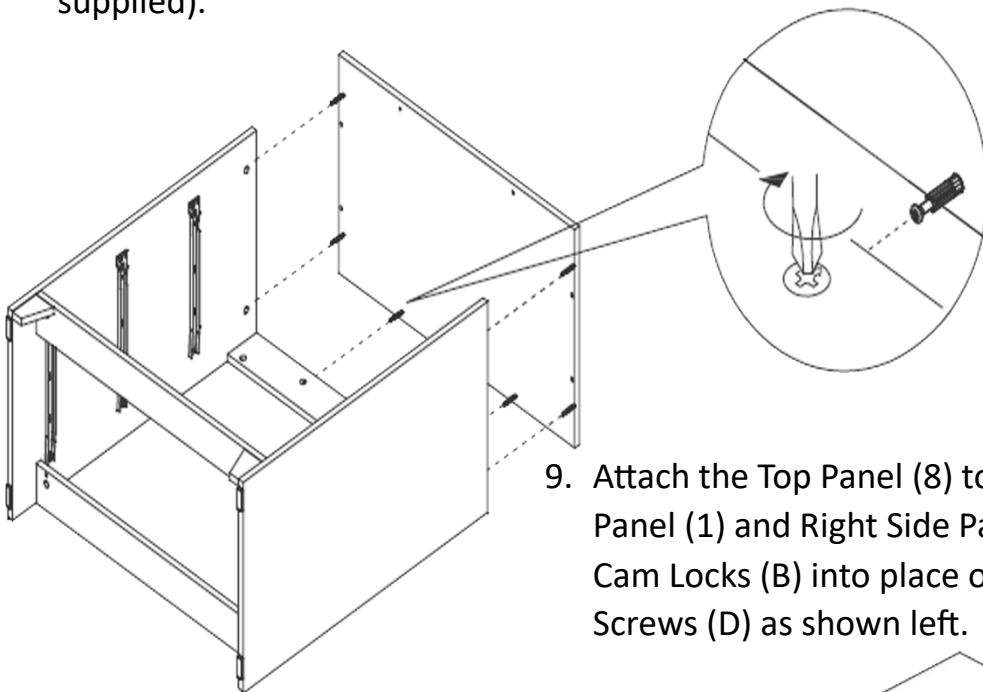


## Assembling the Classic Dresser

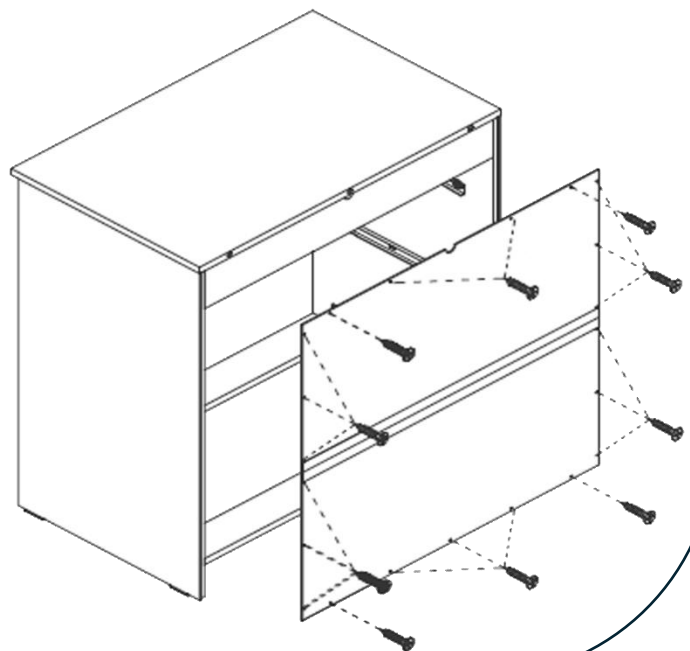
8. Attach 6 of the Cam Lock Screws (D) to the underside of the Top Panel (8) as shown right using a cross-headed screwdriver (not supplied).



9. Attach the Top Panel (8) to both the Left Side Panel (1) and Right Side Panel (11), lock the Cam Locks (B) into place on the Cam Lock Screws (D) as shown left.



10. Attach the Back Board (7) to part assembled drawer as shown below, using the Wood Screws (E) and tighten with a cross-headed screwdriver (not supplied).





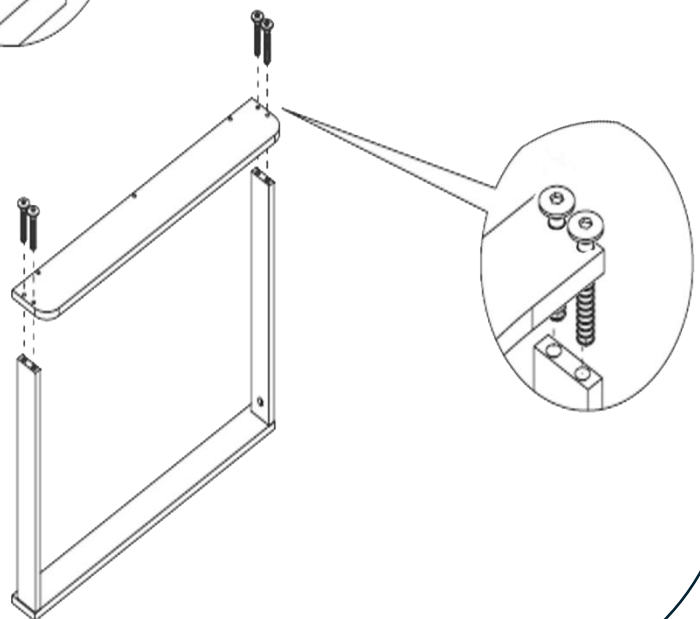
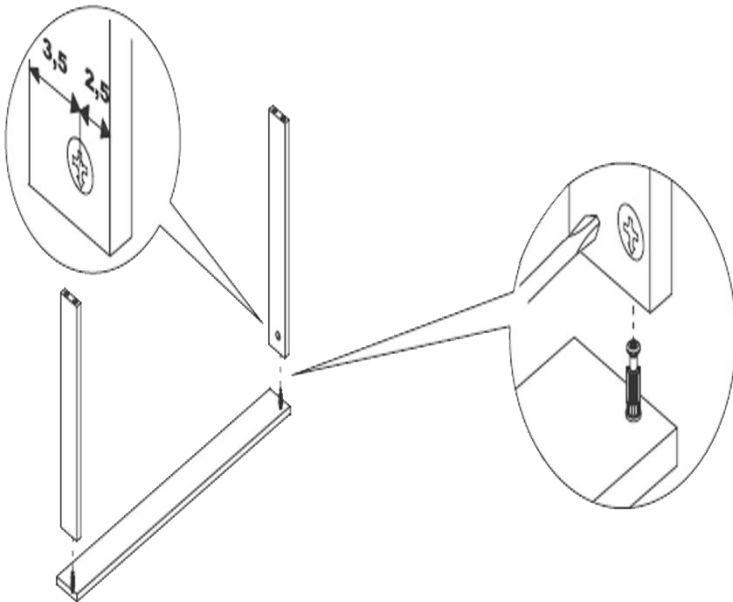
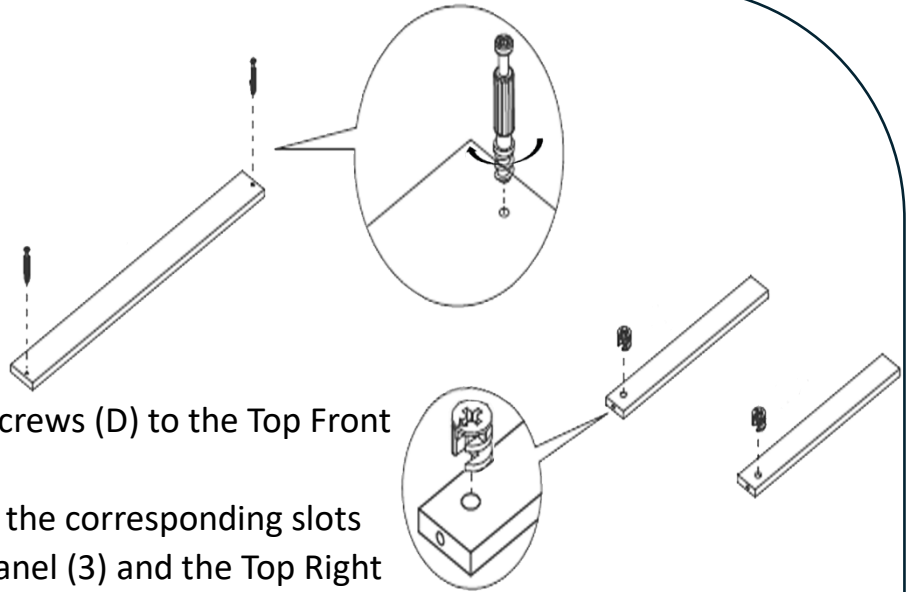
## Assembling the Classic Dresser

12. Attach 2 of the Cam Lock Screws (D) to the Top Front Panel (2) as shown right.

13. Insert 2 Cam Locks (B) into the corresponding slots on both the Top Left Side Panel (3) and the Top Right Side Panel (5) as shown right.

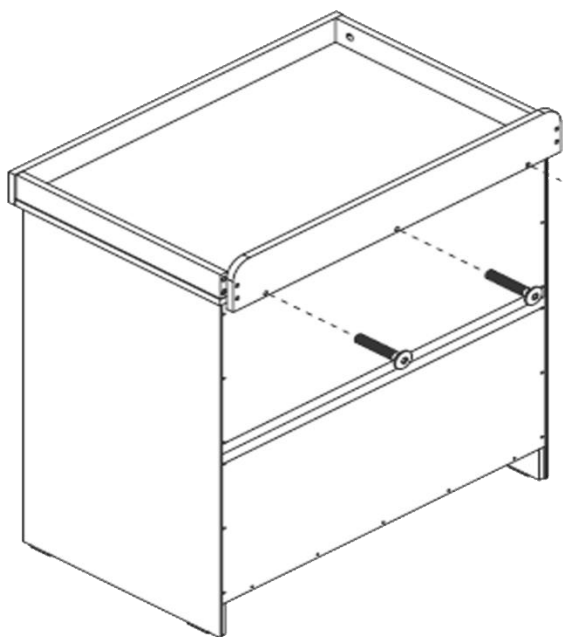
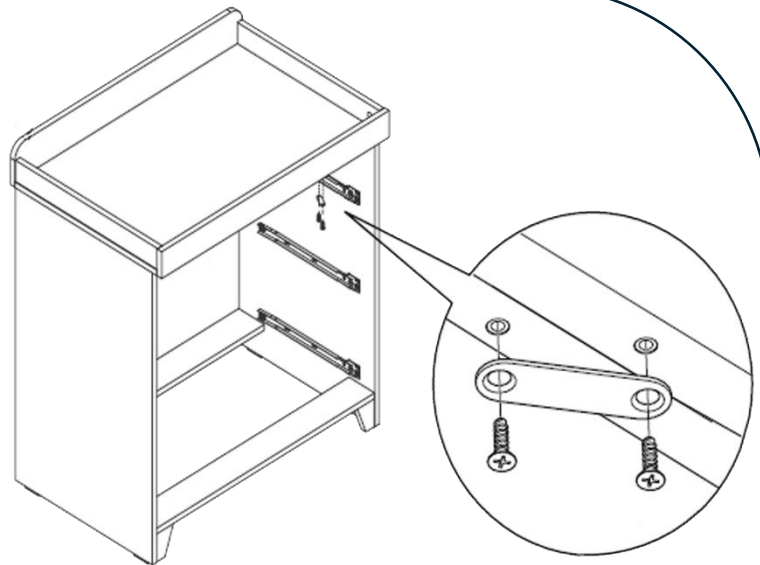
14. Attach both the Left Side Panel (3) and the Top Right Side Panel (5) to the Top Front Panel (2), lock the Cam Locks (B) into place on the Cam Lock Screws (D) as shown left.

15. Attach the Top Back Panel (4) to both the Left Side Panel (3) and the Top Right Side Panel (5), using the Short Bolt (O) and tighten with the Allen Key (A).



## Assembling the Classic Dresser

16. Attach the top frame assembled in the previous step to the dresser frame, using the Metal Brackets (J) and Screws (K). Tighten with a cross headed screwdriver (not supplied).

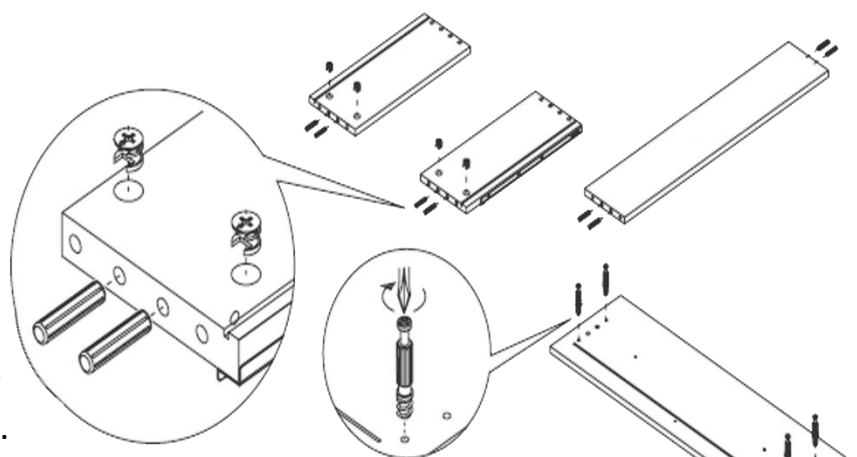


17. Attach the back of the top frame assembled in the previous step to the dresser frame, using the Short Bolt (O) and tighten with the Allen Key (A).

18. Attach 4 of the Cam Lock Screws (D) to the Drawer Front (15) using a cross headed screwdriver (not supplied).

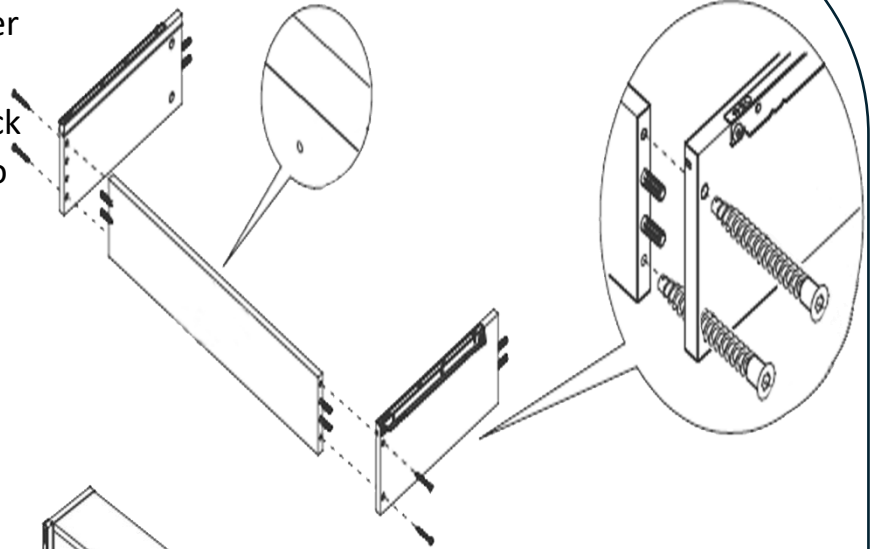
19. Insert 2 of the Cam Locks (B) into both the Left Drawer Side (9) and Right Drawer Side (13).

20. Insert Wooden Dowels (D) into both drawer sides and the Drawer Back (10).

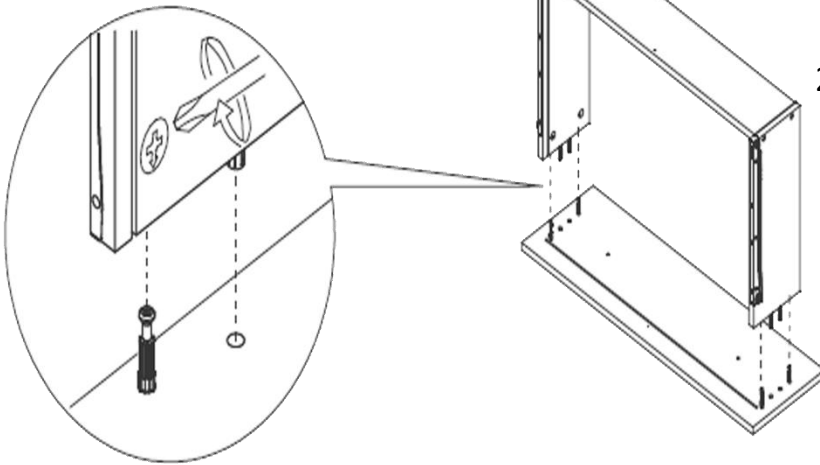


## Assembling the Classic Dresser

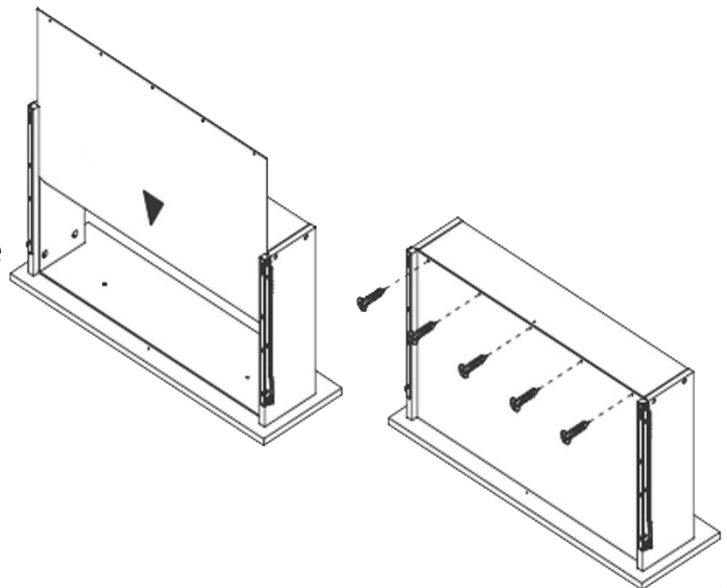
21. Attach both the Left Drawer Side (9) and Right Drawer Side (13) to the Drawer Back (10) as shown right. Fix into place using the Long Bolts (N) and tighten using the Allen Key (A).



22. Attach the drawer side to the Drawer Front (15), lock the Cam Locks (B) into place on the Cam Lock Screws (D) as shown left.

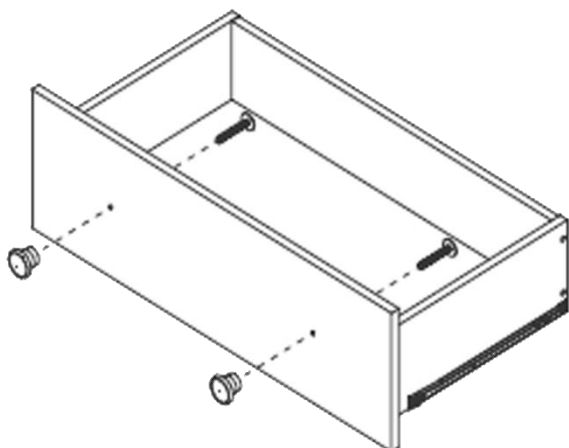
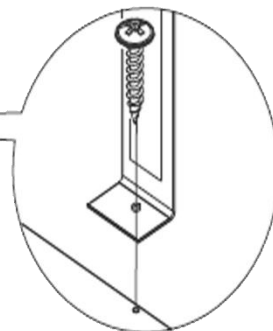
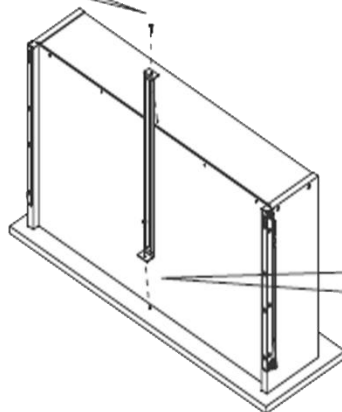
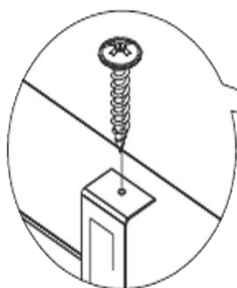


23. Slide the Drawer Base (12) into the grooves on the drawer sides and when fully in place secure using the Wood Screws (E) and tighten with a cross-headed screwdriver not supplied.



## Assembling the Classic Dresser

24. Position the Drawer Support (L) as shown right and then fix into place using the Screws (M) and tighten with a cross-headed screwdriver not supplied.

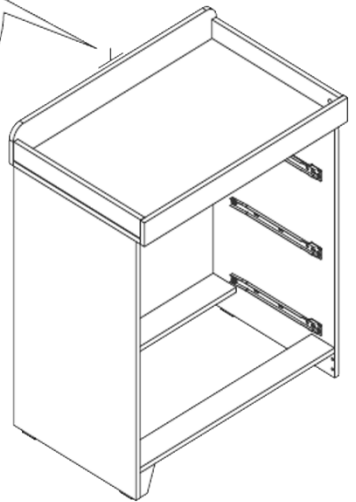
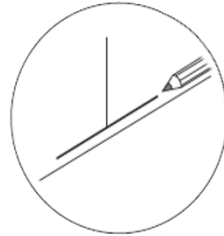
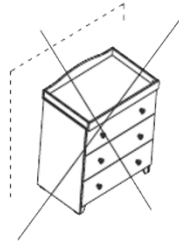


25. Attach the Drawer Handle (I) to the Drawer Front (15) using the Handle Screws (H) and tighten with a cross-headed screwdriver not supplied.

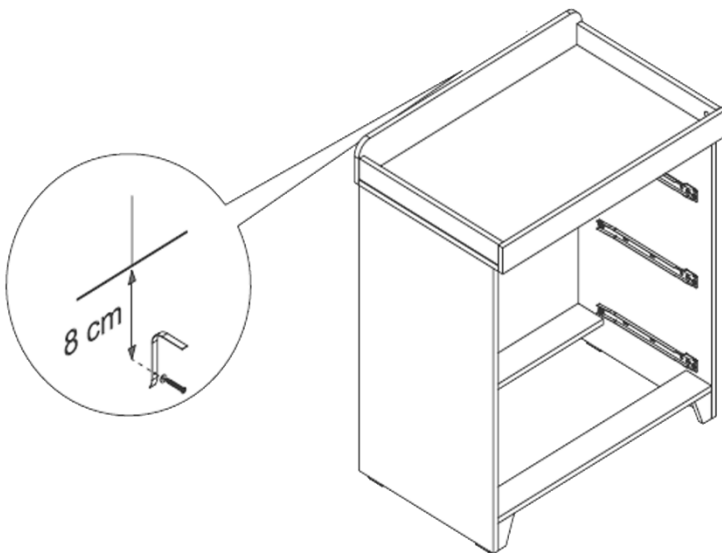
26. Repeat steps 18-25 for the 2 remaining drawers.

## Wall mounting the Classic Dresser

**WARNING!** Furniture should be fixed to the wall to prevent it from falling over during use. Fixing the furniture to the wall shall be carried out in accordance to instruction attached to the fitting. Always use the wall attachment strap provided to prevent toppling and serious injury to the a child.

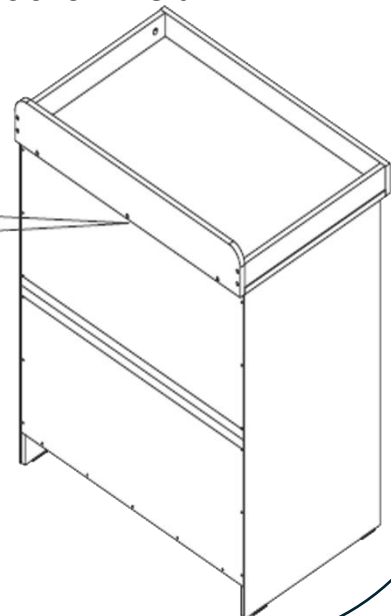
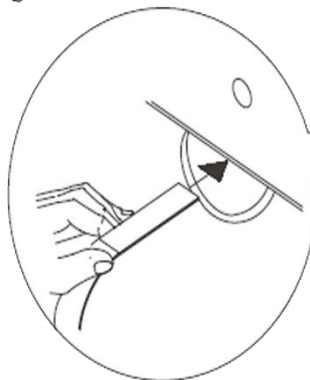


27. Using the assembled frame mark on the wall to be mounted on measuring the centre point of the dresser as shown right.



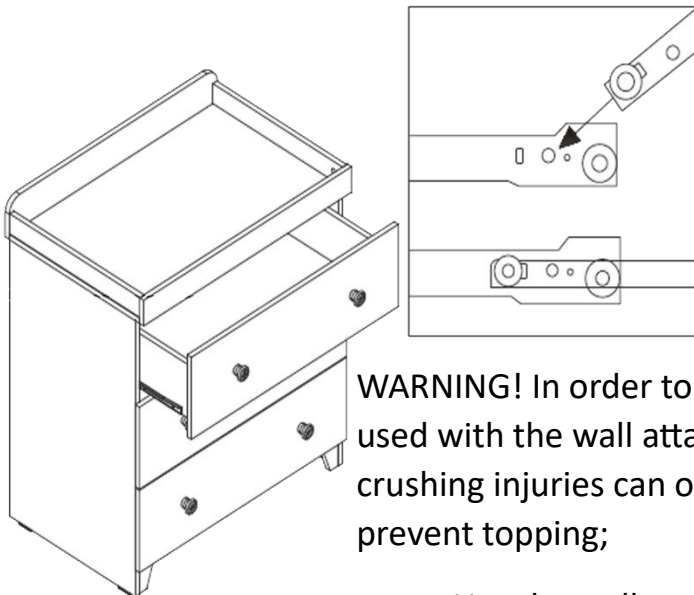
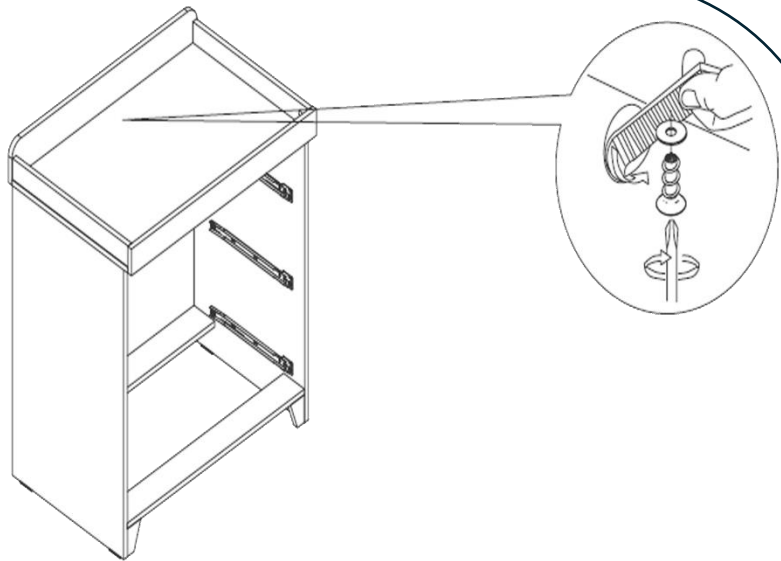
28. Using centre point as a reference, attach the strap provided in the Wall Mounting Kit (G) to the wall approximately 8cm beneath the centre point with the screw and washer as shown left.

29. Feed the strap through the cutout at the top of the Back Board (7).



## Wall mounting the Classic Dresser

30. Attach the strap to the underside of the Top Panel (8) and fix into place using the remaining screw and washer supplied in the Wall Mounting Kit (G) as shown right.



31. Insert the drawers assembled previously, ensuring that the rollers on the runners on both the drawers and the side panels align as shown left.

**WARNING!** In order to prevent overturning this product must be used with the wall attachment device provided. Serious or fatal crushing injuries can occur from furniture tipping over. To help prevent topping;

- Use the wall attachment device provided.
- Never allow children to climb or hang on drawers, doors or shelves.
- Place heaviest items in the lower drawers or shelves.
- Unless specifically designed to accommodate, do not set TV's or other heavy objects on top of this product.
- Never open more than one drawer at a time.

An attachment device is provided with your product, however you will need to source suitable fixings for your wall type. If in doubt, please consult a qualified tradesperson. Always ensure the wall to be drilled is free from hidden electrical wires, water and gas pipes.

## Care and Maintenance



- Scuff marks may be removed with a soft, damp cloth.
- Occasional use of furniture polish will maintain the finish of your stand.
- DO NOT use harsh or abrasive cleaners or bleaches on this product, as they may damage the finish.
- Periodically check all screw fixings to ensure they remain tight and tighten where required.
- Take care when handling or moving the furniture. Careless handling may cause damage.
- This product features a permanent safety label, please do not remove.

## Box contents

This product is supplied in 2 boxes, please find parts list below with box number for easy reference;

Part No.	Part Description & Quantity	Box No.	Part Dimensions (mm)
1	Left Side Panel x1	Box 1 of 2	828 x 482 x 25
2	Top Front Panel x1	Box 1 of 2	800 x 76 x 16
3	Top Left Panel x1	Box 2 of 2	500 x 60 x 16
4	Top Back Panel x1	Box 1 of 2	800 x 116 x 16
5	Top Right Panel x1	Box 2 of 2	500 x 60 x 16
6	Back Panel x1	Box 2 of 2	766 x 100 x 16
7	Back Board x1	Box 2 of 2	788 x 748 x 2.5
8	Top Panel x1	Box 2 of 2	800 x 500 x 16
9	Left Drawer Side x3	Box 1 of 2	400 x 160 x 16
10	Drawer Back x3	Box 2 of 2	709 x 139 x 16
11	Right Side Panel x1	Box 1 of 2	828 x 482 x 25
12	Drawer Base x 3	Box 1 of 2	722 x 405 x 2.5
13	Right Drawer Side x3	Box 1 of 2	400 x 160 x 16
14	Base Support Panel x 2	Box 2 of 2	766 x 90 x 16
15	Drawer Front x 3	Box 2 of 2	796 x 246 x16
16	Feet x2	Box 2 of 2	80 x 60 x 16

# puggle™

Feeling social?  

[online4baby.com](https://www.online4baby.com)

Imported by Online4baby Ltd.

Meadowbank, Tweedale Way, Oldham, OL9 8EH