

# Urban Terrain Sprint GT Pushchair

Instruction manual



**IMPORTANT! READ CAREFULLY  
AND KEEP FOR FUTURE REFERENCE.**

**Warning:** A child's safety is your responsibility.

This product is tested and approved to  
EN 1888-2:2018

# 1. Welcome

Thank you for purchasing the Puggle Urban Terrain Sprint GT Pushchair. Please read the instructions and warnings carefully before use to ensure safe and satisfactory operation of your Puggle Urban Terrain Sprint GT Pushchair.

If you have a query with this product or require replacement parts, please contact Online4Baby online at [online4baby.com/contact-us](http://online4baby.com/contact-us).

## 2. Safety Instructions

### **IMPORTANT! PLEASE READ THE FOLLOWING INSTRUCTIONS CAREFULLY BEFORE INSTALLING THE PRODUCT.**

- **WARNING!** Read these instructions carefully before assembly and use and keep for future reference. The child may be hurt if you do not follow these instructions.
- This product is suitable for one child from birth (up to 22 kg or 4 years.)
- **WARNING!** Follow the manufacturer's instructions.
- **WARNING!** Never leave the child unattended.
- **WARNING!** Ensure all locking devices are engaged before use.
- **WARNING!** To avoid injury ensure that your child is kept away when unfolding and folding this product.
- **WARNING!** Do not let your child play with this product.
- **WARNING!** Always use the restraint system. Ensure it is correctly fitted at all times.
- **WARNING!** Always use the crotch strap in combination with the waist belt section of the harness.
- **WARNING!** Check that the pram body or seat unit attachment devices are correctly engaged before use.
- **WARNING!** This product is not suitable for running or skating.
- **WARNING!** Do not let other children play unattended near the product.
- **WARNING!** Do not use this product if any part is broken, torn or missing.
- **WARNING!** Do not place the product near an open fire or other source of strong heat.
- Adult assembly is required.
- Ensure that the parking brake is engaged during the loading and unloading of children.
- The basket can carry a maximum load of 5kg.
- Use the most reclined position for new born babies.
- Any load attached to the handle and/or on the back of the backrest and/or on the sides will affect the stability of the product.
- Do not overload the stroller with additional children, goods or accessories.
- Always apply the parking brake when the stroller is stationary.
- Take care when going up or down kerbs.

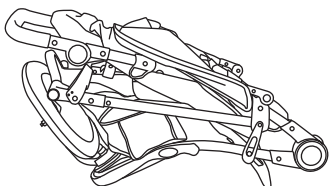
## 2. Safety Instructions

- Any additional or replacement parts should only be obtained from the manufacturer or distributor.
- Never substitute parts.
- Keep the plastic packaging away from children to avoid danger of suffocation.
- Take extra care in windy conditions.
- Remove your child and fold the stroller when going up or down stairs or escalators.
- Do not use this stroller near an open fire or exposed flame.
- To prevent damage, always remove a raincover before folding the stroller.
- Do not place anything on top of the raincover.
- Never leave a raincover, hood or apron on the product indoors, in a hot atmosphere or near a heat source, as the child may overheat.

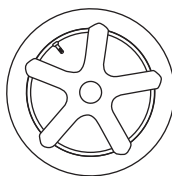
This product conforms to EN 1888-2:2018

# Parts List

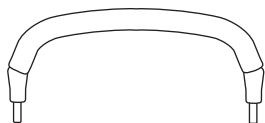
A



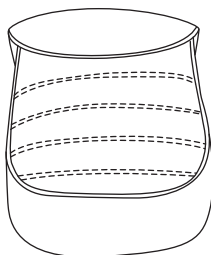
B



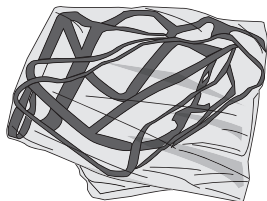
C



D



E



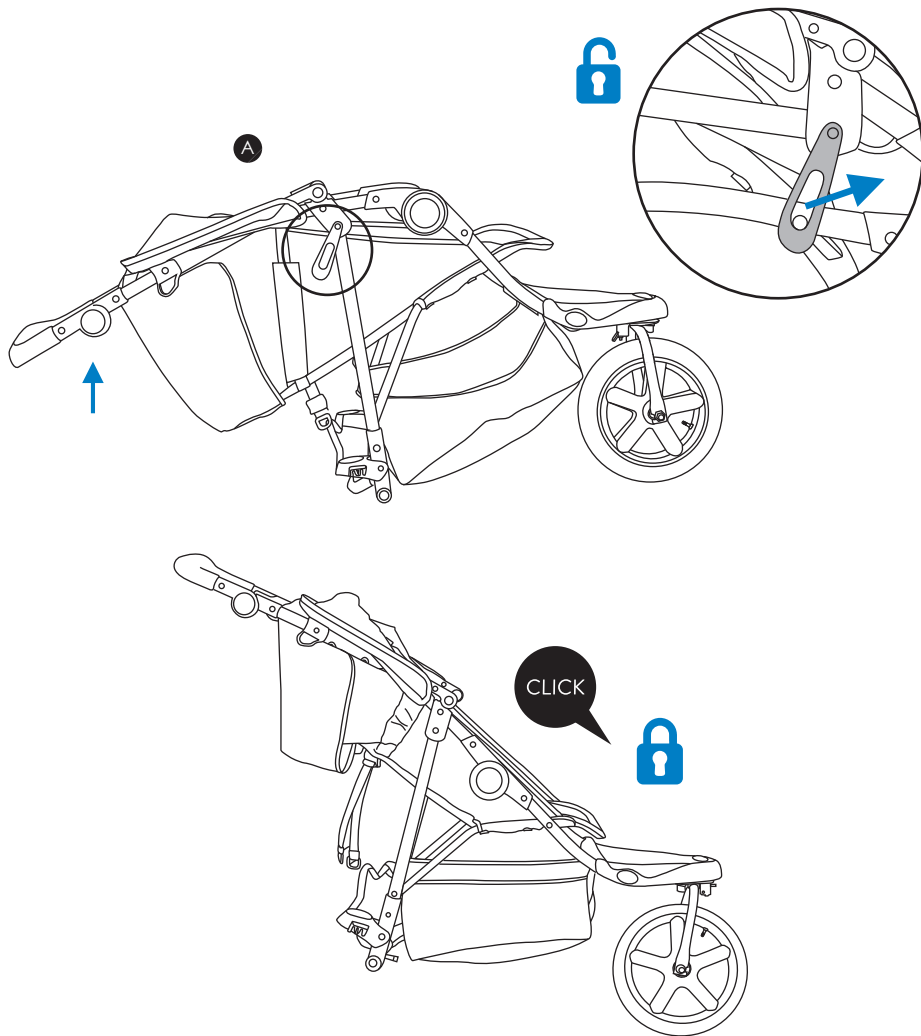
**Contained in your carton are:**

N°	Part	Qty
A	Stroller	1
B	Rear wheels	2
C	Bumper bar	1
D	Apron	1
E	Raincover	1

# 1. Assembly

## 1.1. OPENING THE CHASSIS

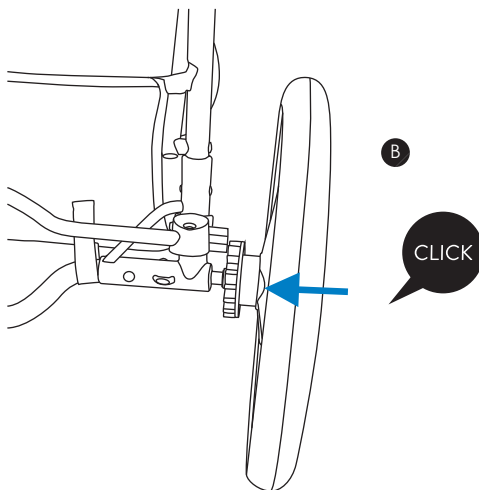
Release the storage latch to unfold the stroller (A). Simultaneously lift handle and pull up with a swift motion until an audible "click" is heard. This will ensure the locking mechanism has engaged.



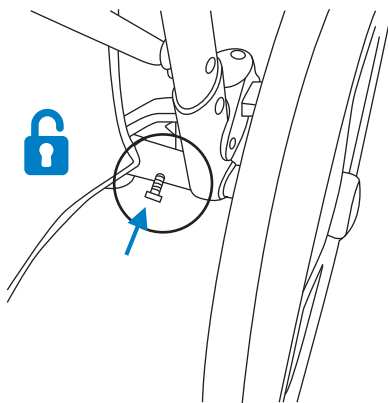
# 1. Assembly

## 1.2. ASSEMBLING THE WHEELS

Align the round opening on the side of the stroller with the rear wheel (B) axle. Push down on the metal pin located on the bar of the frame. Simultaneously slide the wheel onto the frame until it locks into position.



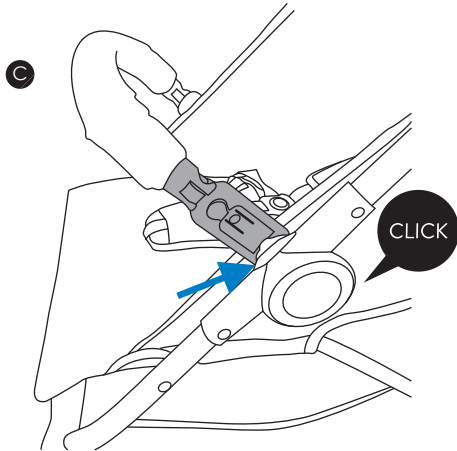
Push down on the metal pin located on the bar of the frame. Simultaneously pull the wheel away from the frame to remove.



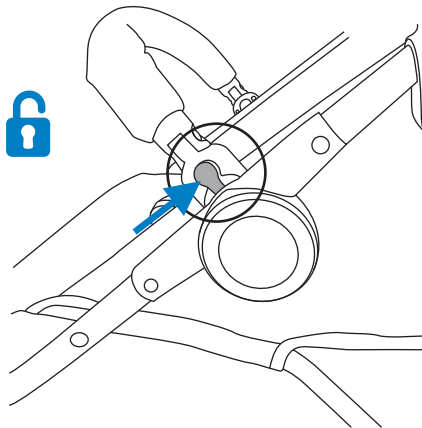
# 1. Assembly

## 1.3. ASSEMBLING THE BUMPER BAR

Align the bumper bar (C) with the frame. Push down onto the bumper bar until an audible “click” confirms it is secure and in the correct position.



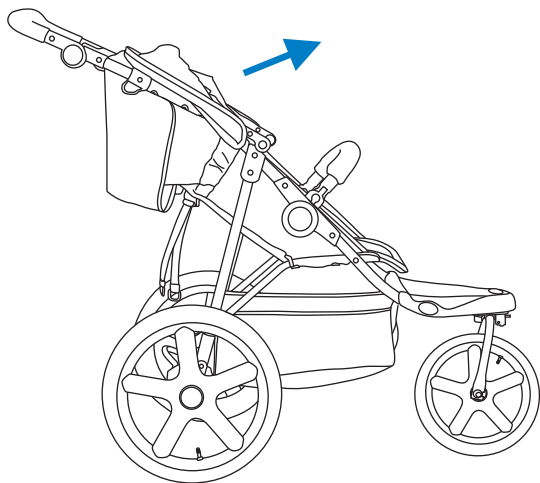
To remove bumper bar, push in both buttons located on the inner of the bumper bar and remove from frame.



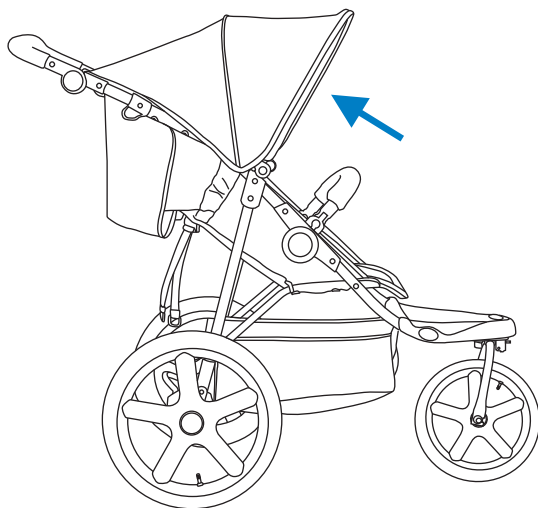
## 2. In Use

### 2.1. THE CANOPY

**TO OPEN:** Pull the front edge of the canopy.



**TO FOLD:** Push back on the front edge of the canopy.





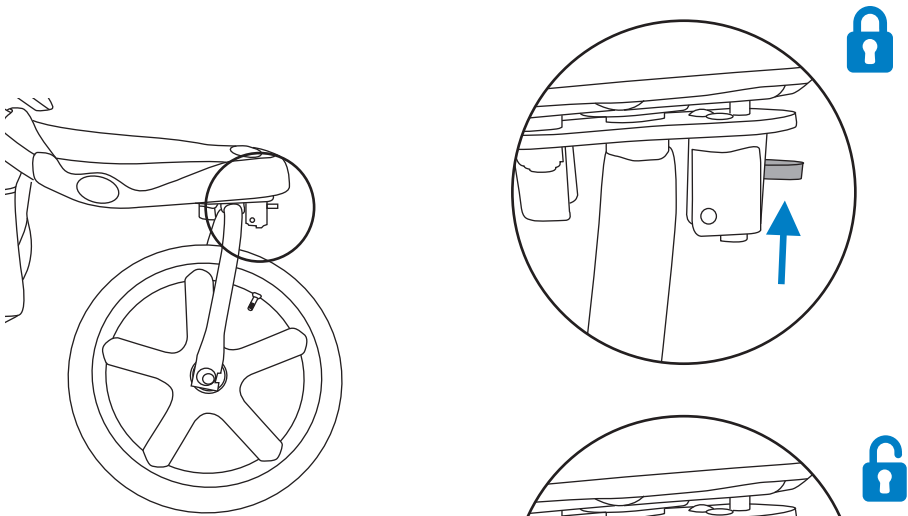
## 2. In Use

### 2.2. THE FRONT SWIVEL WHEEL

When travelling along straight surfaces or uneven terrain, the front wheels may spin.

**TO LOCK:** Push the lever up to lock.

**TO UNLOCK:** Push the lever down to engage swivel wheel.

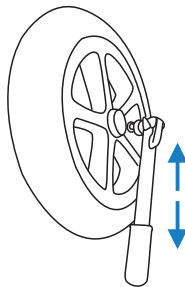


To inflate tyres, pump air into the tube until the tyres are filled to 35 psi or as specified on the tyre wall.



### **WARNING!**

**DO NOT over inflate the tyres, as this may cause a potentially hazardous condition.**

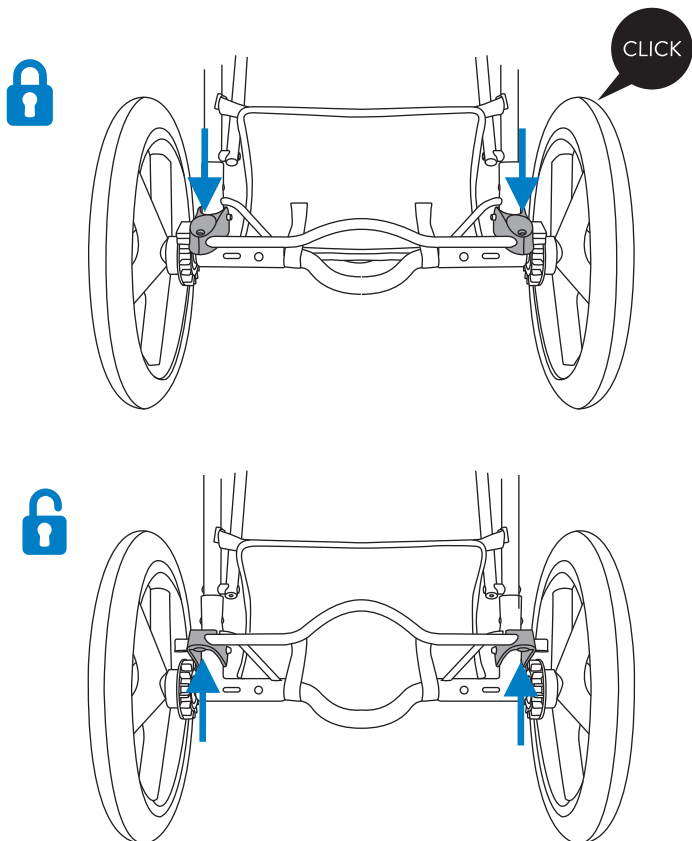


## 2. In Use

### 2.3. BRAKES

To apply the brake, press down firmly on the red brake pedals.

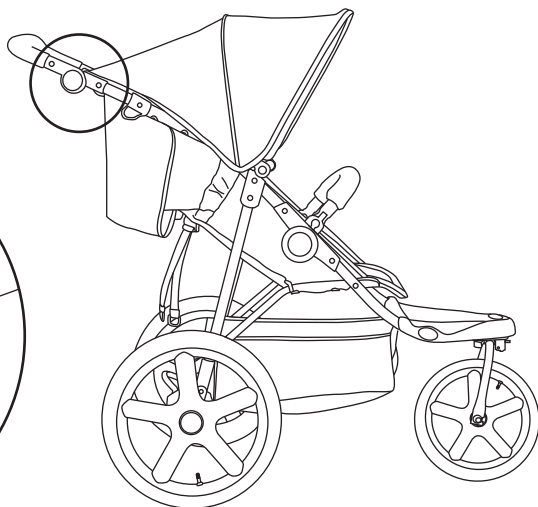
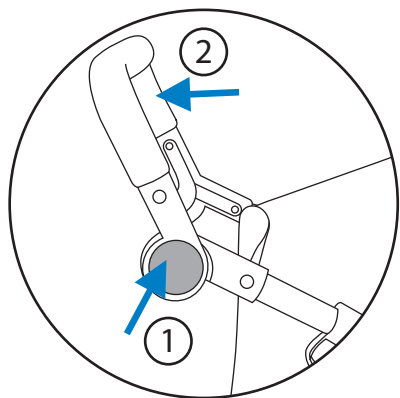
**WARNING!** Always engage brakes when the stroller is not moving.



## 2. In Use

### 2.4. HANDLE ADJUSTMENT

There are two buttons either side of the handle bar. Press both adjustment buttons simultaneously and rotate to the desired position. Listen for "click". There are 6 effective handle positions.

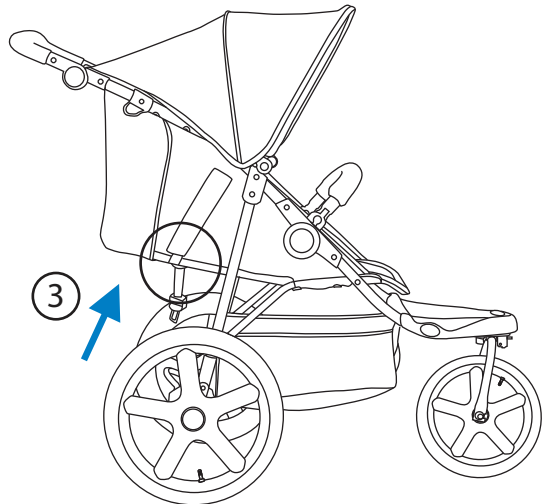
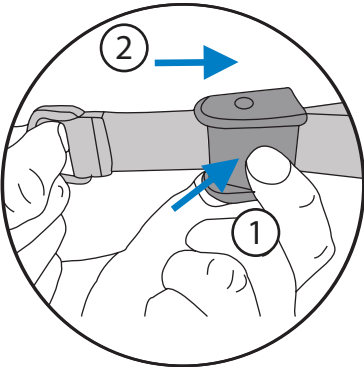
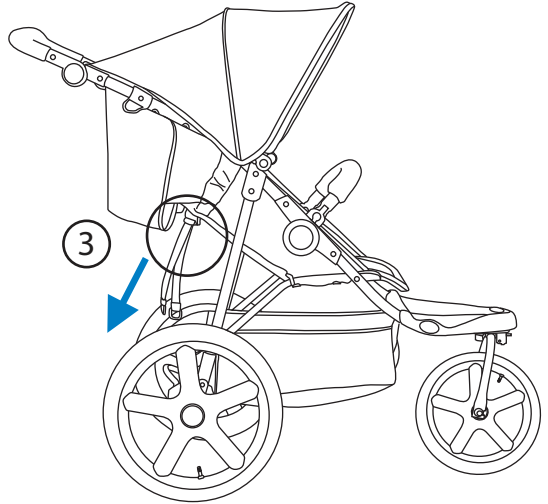
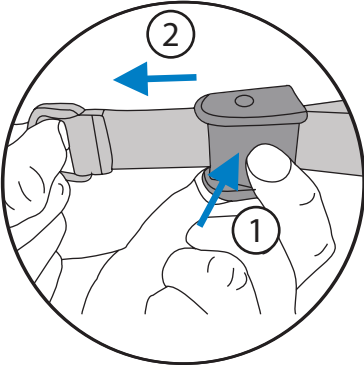


## 2. In Use

### 2.6. BACKREST ADJUSTMENT

**TO LOWER:** Squeeze the clasp to release and pull in a downward motion. Release the clasp once desired position has been reached.

**TO RAISE:** Squeeze the clasp and push whilst sliding upwards to desired position.

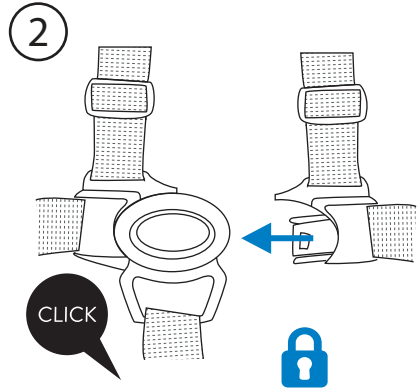
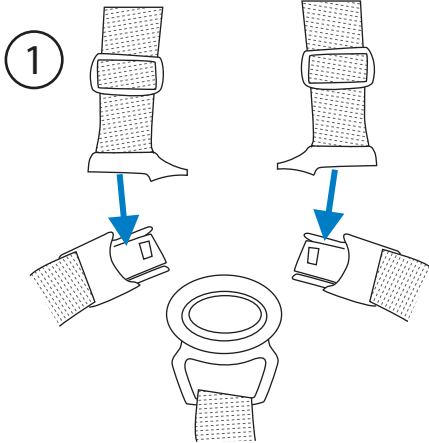


## 3. Harness

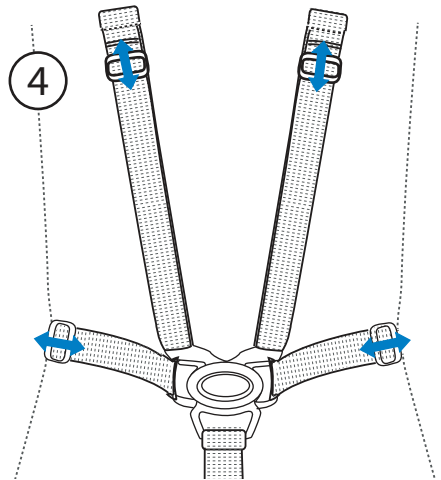
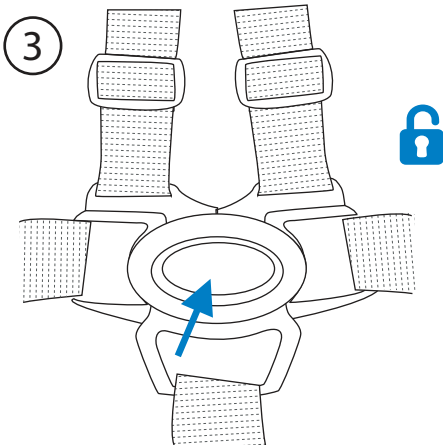
### 3.1. USING THE HARNESS

Slide the shoulder strap buckle onto the housing of the waist strap buckle.  
Repeat for the other side.

Insert the completed buckle into the buckle housing until it engages securely in place. Listen for the 'click'. Repeat for the opposite side.

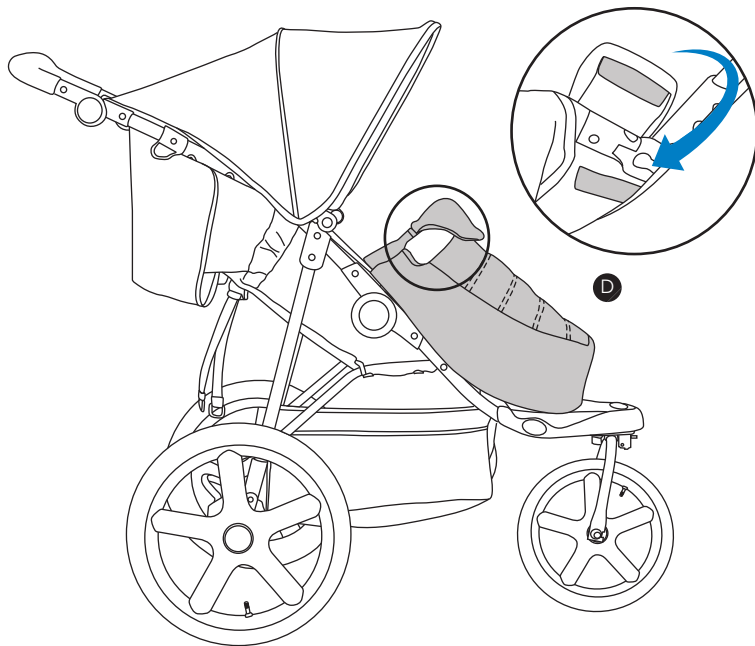


Press the centre button to release child from harness.  
To adjust the shoulder straps, move the slides as shown.



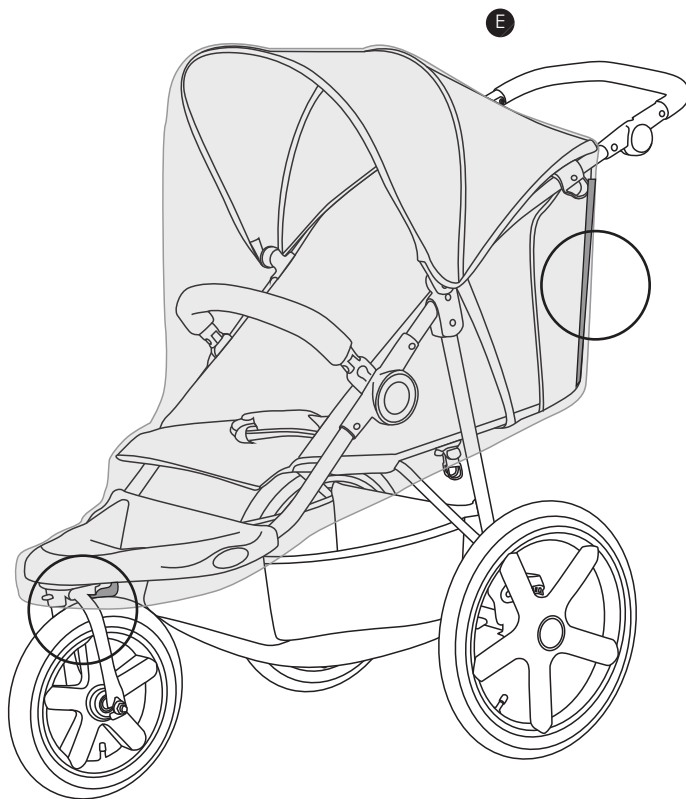
## 4. Apron

Place the apron (D) onto the stroller and fasten the velcro around the bumper bar.



## 5. Raincover

Place the raincover (E) over the front hood and down over the stroller. Fasten the velcro strips at the back of the canopy. Wrap the velcro strap behind the front wheel.



### **WARNING!**

Always remove raincover prior to folding the pushchair.

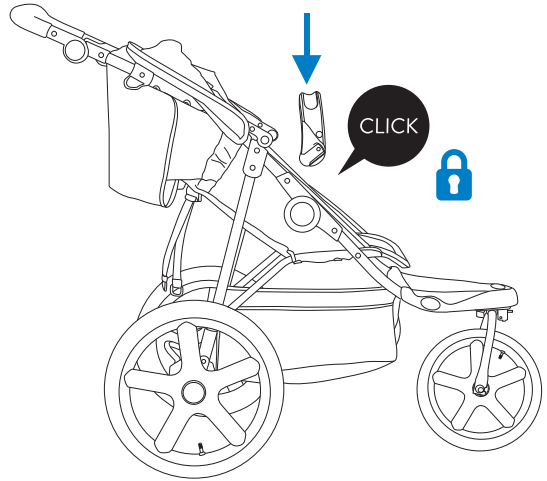
## 6. Travel System (adaptors and car seat sold separately)

### 6.1.1. ATTACHING CAR SEAT TO CHASSIS

To complete the travel system, adaptors and car seat are sold separately.

Fold back the canopy of the stroller to prepare for the travel system.

Line up the car seat adaptors with the adaptor housing on the chassis and press downwards. Listen for a "click" to signal correct assembly.

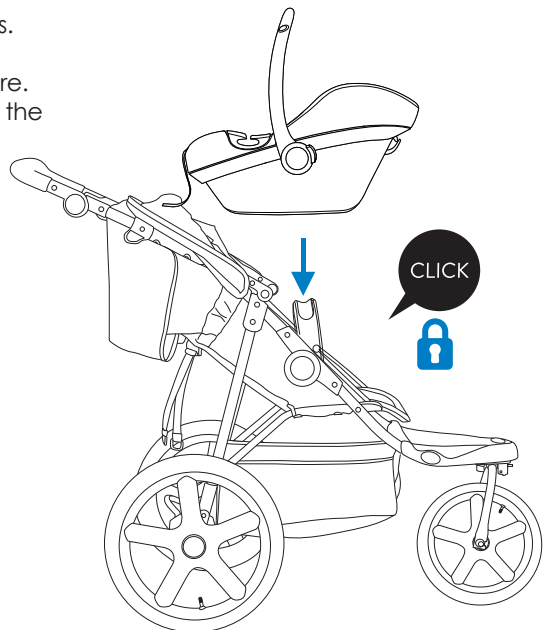


### 6.1.2. ATTACHING CAR SEAT TO CHASSIS

Place the car seat onto the adaptors. Push down to "click" into place. Pull handle to ensure car seat is secure. Alternatively, attach the adaptors to the car seat first and then attach the car seat to the chassis.

**⚠ WARNING!**  
Never attach the car seat forward facing.

IMPORTANT: Refer to the car seat manual for full details of use.

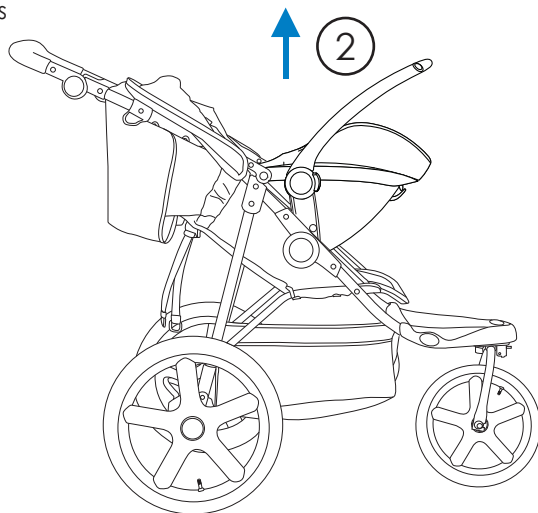
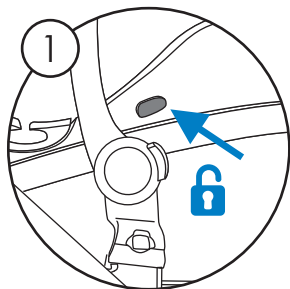




## 6. Travel System (adaptors and car seat sold separately)

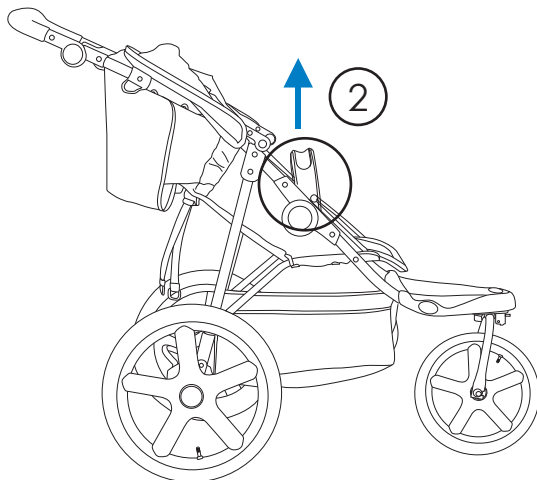
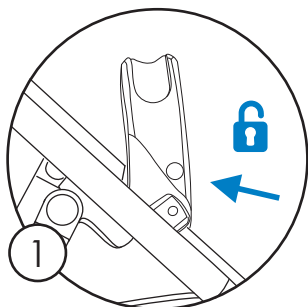
### 6.2.1. DETACHING CAR SEAT FROM CHASSIS

Press the buttons located on the sides of the car seat and pull upwards to remove.



### 6.2.2. DETACHING CAR SEAT FROM CHASSIS

Press the buttons on both sides of the adaptors to remove the adaptors from the chassis.



## 7.Folding

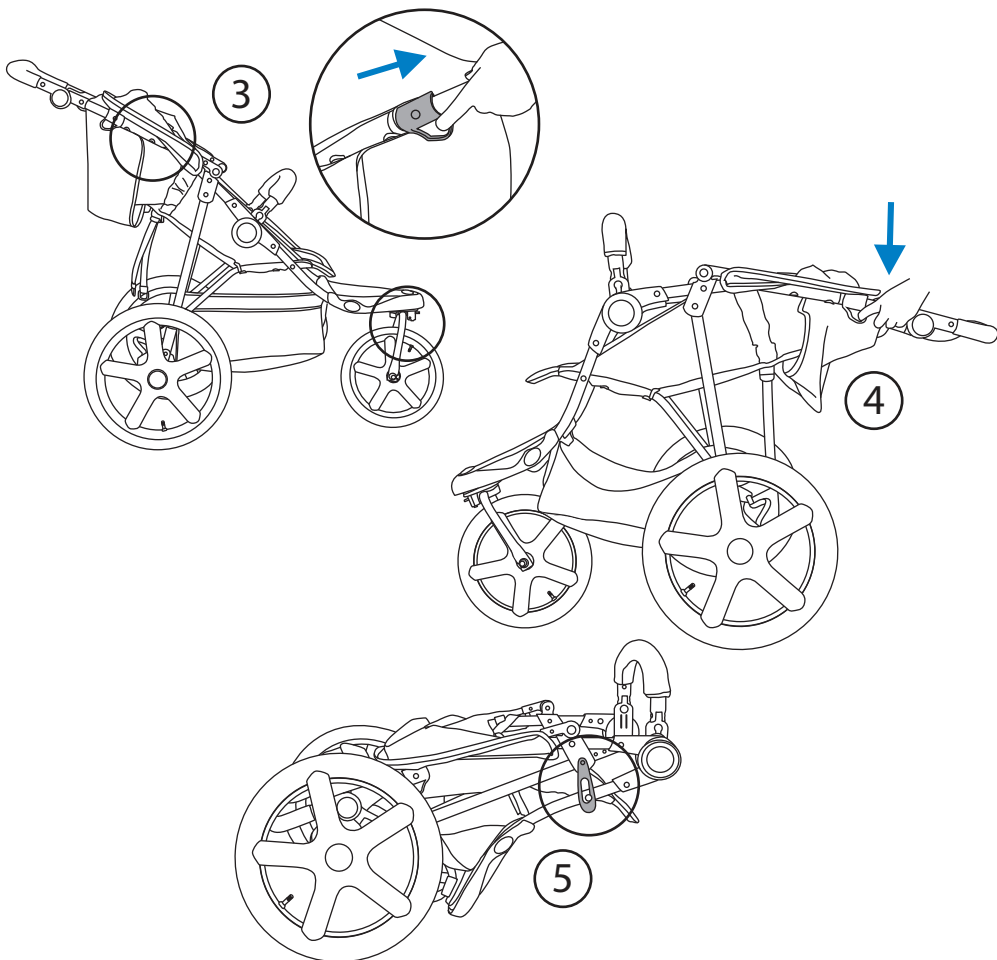
Apply rear wheel brakes and unlock the front swivel wheel.

Remove all items in the shopping basket and fold the canopy.

Adjust the backrest to full layback position.

Pull the folding locks up and simultaneously push down on the stroller to fold.

Ensure the locking latch is engaged to ensure the stroller is securely locked.



## 8. Care and Maintenance

### 8.1. CLEANING


- Spot or sponge clean fabrics with mild detergent. Use mild soap or upholstery shampoo. Wash separately. NEVER use bleach. Dry in shade thoroughly before reuse and avoid direct heat and sunlight. Do not iron. Do not dry clean.
- Wipe clean plastics and metals with damp cloth.
- Never clean any part of the product with abrasive, ammonia based, bleach based or spirit type cleaners.
- Ensure the product is fully dry before use or storage.
- Always ensure the product is stored in a dry place to prevent mold or mildew developing.

### 8.2. MAINTENANCE

- The product requires regular maintenance to ensure correct and safe performance.
- Regularly inspect the wheels, locks, brakes, harness, catches, seat adjusters, joints and fixings to ensure they are clean, operating correctly and in full working order.
- Replace tyres if they are excessively worn.
- Ensure the tyres are inflated to the correct psi, as specified on the tyre wall. Be sure to periodically check tyres for leakage, signs of wear or damage.
- Do not use this product if any part is broken, torn or missing and use only spares provided by the manufacturer.
- If parts become stiff or difficult to operate, ensure dirt is not the cause, then try a light application of a silicon lubricant, ensuring it penetrates between the components. Regular lubrication of moving parts will extend the life of your product and make opening and folding easier.
- Your pram should be serviced and reconditioned before using for a second baby, or within 18 months, whichever is sooner.
- After exposure to damp conditions, dry off with a soft cloth and leave fully open in a warm environment. Storing damp will encourage mildew to form.
- Store in a dry place.
- Do not leave in sunlight for prolonged periods as some fabrics may fade.



If you have any questions or concerns regarding this product,  
do not hesitate to contact our expert team online  
via [online4baby.com/contact-us](https://online4baby.com/contact-us)

Feeling social?    
[online4baby.com](https://online4baby.com)

Imported by Online4baby Ltd,  
Meadowbank, Tweedale Way, Oldham, OL9 8EH