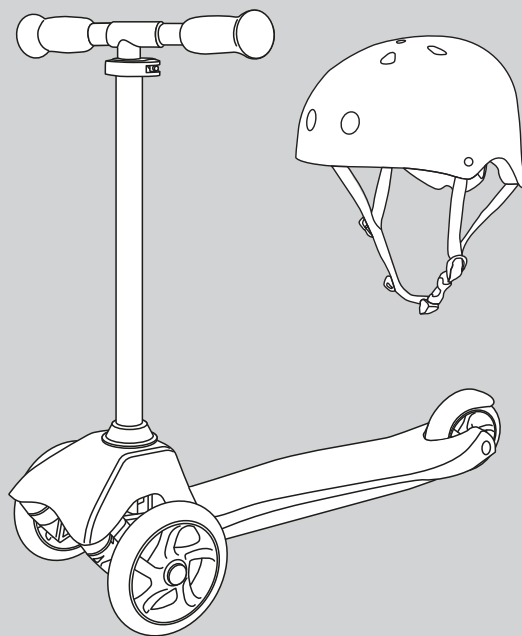


2 in 1 Grow with me scooter and helmet set

Instruction manual



**IMPORTANT - RETAIN FOR FUTURE
REFERENCE. READ CAREFULLY.**

Warning: A child's safety is your responsibility.

The Helmet is tested to EN 1078:2012+A1:2012 / BS EN 1078:2012+A1:2012

1. Contents

- 1. Contents01
- 2. Welcome01
- 3. 2 in 1 Grow with me scooter - Safety Instructions.....02
- 4. 2 in 1 Grow with me scooter - Assembly.....02-03
- 5. 2 in 1 Grow with me scooter - How To Play.....04
- 6. Helmet - Fitting05
- 7. Helmet - Pad Fitting05
- 8. How To Adjust Your Helmet06-07
- 9. Helmet - Important Information08
- 10. Declaration Of Conformity09

2 .Welcome

Thank you for purchasing the Puggle 2 in 1 Grow with me scooter and helmet set.

Please read the instructions and warnings carefully before use to ensure safe and satisfactory operation of your Puggle 2 in 1 Grow with me scooter and helmet set.

If you have a query with this product or require replacement parts, please contact Online4baby online at online4baby.com/contact-us.

3. 2 in 1 Grow with me scooter - Safety Instructions

IMPORTANT! PLEASE READ THE FOLLOWING INSTRUCTIONS CAREFULLY BEFORE USING THE PRODUCT.

- Adult assembly is required.
- Adult supervision is required.
- Children should wear approved protective equipment e.g. helmet, gloves, knee pads and elbow pads, and correct fitting is required.
- Do not allow a child to ride without shoes.
- Do not allow a child to ride the product at dusk, at night or at times of limited visibility.
- Do not allow a child to ride on roadways, public highways or alleys.
- Do not allow a child to ride on steeply sloped areas.
- Do not allow a child to ride near steps.
- Do not allow a child to ride near swimming pools, or other bodies of water.
- For use on smooth, paved surfaces only.
- Never ride with more than one person.
- Replace worn or broken parts immediately.
- Check the product before each ride for loose components and re-tighten where necessary. Ensure that all locking devices are engaged.
- Be sure the rider keeps both hands on the handlebar for proper control.
- Children should be reminded that the toy should be used with caution, since it requires skill, so as to avoid falls or collisions causing injury to the user and third parties. They should also be reminded of the dangers of using the scooter in public places.

4. 2 in 1 Grow with me scooter - Assembly

- An adult must assemble this product.
- Keep small loose parts and plastic bags out of the reach of children.
- Press the spring button on bottom of handle bar.
- Push the handle bar into the footplate.
- Make sure the spring button pops out to secure in position properly as indicated.

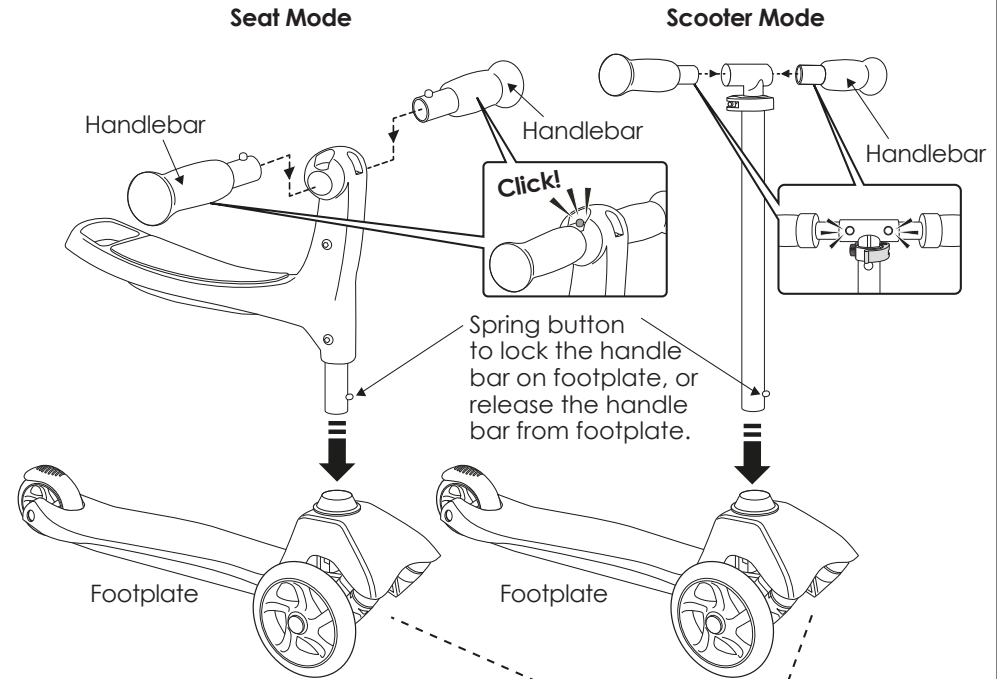
INTERCHANGE HANDLE BAR INSTRUCTION

- Press the spring button on bottom of handle bar.
- Pull out the handle bar from the footplate.
- Follow the above assembly instruction to interchange another handle bar.

AGE GRADING FOR RIDE ON OR SCOOTER MODE

- Seat mode – 1-2 years / 20kg max.
Warning! Not to be used by children over 3 years due to insufficient strength.
- Scooter mode (54-72 cm handle height) – 2 years + / 50 kg max.
Warning! Protective equipment should be worn. Not to be used in traffic. 50 kg max.

4. 2 in 1 Grow with me scooter - Assembly



To adjust the stem, release the quick lock and press the spring button, then adjust the handlebar to one of the 4 height levels.

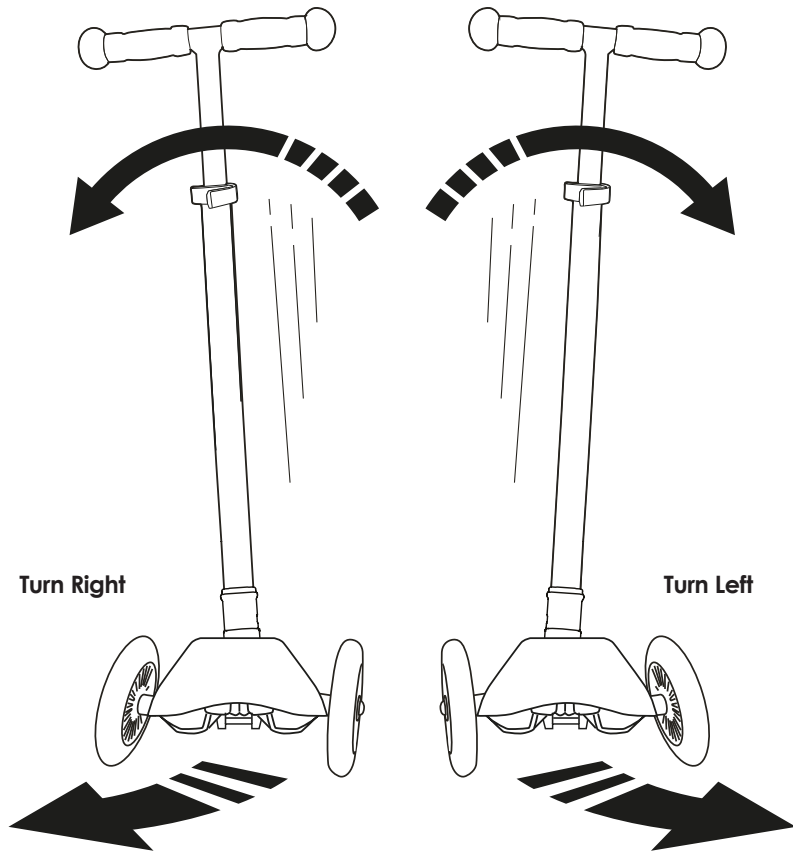
The button must then pop into the fixation hole.

Tighten the quick lock to secure the handlebar. After use, simply loosen the quick lock, press the spring button and push down the handlebar.

Tighten the quick lock to secure the handlebar.

5. 2 in 1 Grow with me scooter - How To Play

Hold both handgrips firmly.
Put one foot towards the front of the deck.
With the other foot, push off the ground to propel the scooter forward.
Both feet can step on the deck when desired speed has been reached.
To stop, step on the brake with the rear foot.



6. Helmet - Fitting

The important thing to remember is that the helmet fits snugly.

If you can tilt it forward or backward you need to tighten the strap adjustment.

The straps should be positioned that they do not cover the ears and that the buckle is away from the jaw when correctly fitted.

Buyer should always try different sizes and choose the size which feel secure and comfortable on the head.

It is important for the helmet to fit snugly on your head and must be fastened to provide maximum protection.

All adjustments should be checked each time them helmet is worn, making sure it fits snugly at all times.

7. Helmet - Pad Fitting

The helmet must fit properly to be effective.

With a proper fit, the helmet will not move back and forth or side to side while fastened.

The helmet can only protect if it fits well and that the buyer should try different sizes and choose the size which feels secure and comfortable on the head.

8. How To Adjust Your Helmet

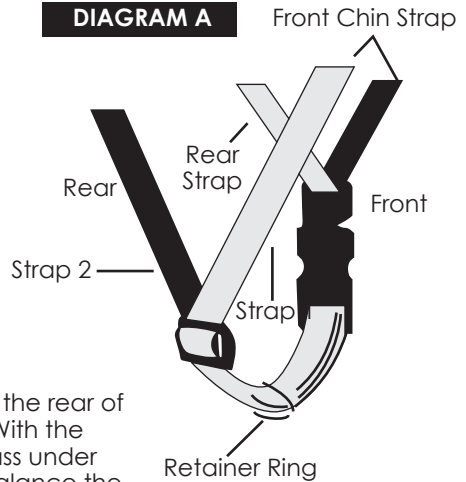
RETENTION SYSTEM

The helmet uses a quick release buckle that is simple and can be buckled and unbuckled without changing the adjustment.

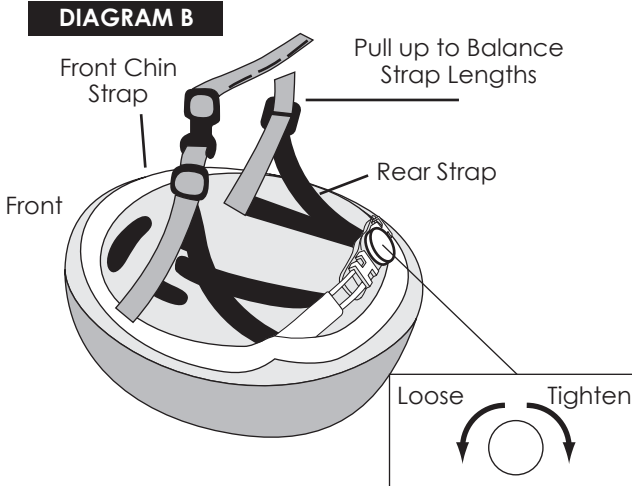
The straps must be snugly and evenly tensioned. Place the helmet firmly on your head and fasten the buckle.

Notice which strap is loose. Tighten the loose strap after removing the helmet. To tighten the chin strap, hold the buckle with one hand. Then pull the excess strap in through.

(See **DIAGRAM A**).



To tighten the rear strap, pull excess from the rear of strap 2. Hold the helmet with one hand. With the other hand, hold the strap where they pass under your chin. Then pull from side to side to balance the length of all four straps. (See **DIAGRAM B**)



8. How To Adjust Your Helmet

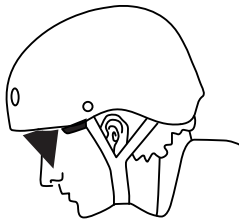
The helmet must sit firmly and level on your head. (See **DIAGRAM C**)

To lower the front of the helmet to cover your forehead, tighten the chin strap and loosen the rear strap.

To raise the front, loosen the chin strap and tighten the rear strap.

The helmet should be placed so as to protect the forehead and not be pushed too far over the back of the head.

DIAGRAM C



Correct



Incorrect

To check for proper tension, put on the helmet and fasten the buckle.

Open your mouth. You should feel the strap pulling against your chin.

Then attempt to pull the helmet off the front or rear.

If the helmet comes off, increase strap tension and examine if thick enough pads are being used.

The helmet should not be able to roll forward or backward excessively.

It should not be possible to remove the helmet without unfastening the buckle.

NOTE: Please check adjustment every time this helmet is worn.

Adjust tightness of the size adjustment system by turning the knob clockwise to tighten and anti-clockwise to release.

9. Helmet - Important Information

- This helmet is designed to protect from impacts of head with an obstacle while cycling, skate boarding, roller skating or scooter riding. It has passed EN1078:2012+A1:2012 to show conformity to the EHSR of Personal Protective Equipment Regulations (Regulation (EU) 2016/425 as Brought into UK law and amended)
- This headgear is designed to absorb the energy of a blow by partial destruction or damage itself. Even though such damage may not be visible, the helmet should be destroyed or replaced, if it is subjected to a severe impact.
- No helmet can protect the wearer against all unforeseeable impacts. However, for maximum protection, the helmet must fit well and all retention straps must be securely fastened.

INFORMATION SUPPLIED BY THE MANUFACTURER

- The helmet can only protect if it fits well and that the buyer should try different sizes and choose the size which feels secure and comfortable on the head;
- The helmet should be adjusted to fit the user, e.g. the straps positioned so that they do not cover the ears, the buckle positioned away from the jawbone and the straps and buckle adjusted to be both comfortable and firm;
- The helmet should be positioned on the head to ensure the intended protection is provided (e.g. it should be placed so as to protect the forehead and not be pushed too far over the back of the head);
- A helmet cannot always protect against injury;
- A helmet subjected to a severe impact should be discarded and destroyed;
- Do not modify or remove any of the original component parts of the helmet, it is dangerous of modifying or removing any of the original component parts of the helmet other than as recommended by the manufacturer, and that helmets should not be adapted for the purpose of fitting accessories in a way not recommended by the manufacturer.

MAKE NO MODIFICATIONS

It is dangerous of modifying or removing any of the original component parts of the helmet other than as recommended by the manufacturer, and that helmets should not be adapted for the purpose of fitting accessories in a way not recommended by the manufacturer.

To insure proper use of this helmet, familiarize yourself with its features. fit and care by carefully reading through this manual before wearing your new helmet.

CARING FOR YOUR HELMET

Clean the headgear with mild soap and water only.

The use of any solvents, paints or decals can cause damage to the helmet and make it ineffective in the result of an accident.

PROTECTION AND VENTILATION

The outershell allows the helmet to be rated one of the lightest helmets while providing excellent durability and integrity.

The multiple vents with inner air channels draw the air through the helmet and over the brow for maximum cooling.



Helmet reference No.: 1670007-H, 1670008-H

UKCA conformity assessment conducted by: SGS United Kingdom Limited
Rossmore Business Park, Ellesmere Port, South Wirral, Cheshire CH65 3EN

Approved Body number: 0120

10. Declaration Of Conformity

HTI Group,
Eastham House, Copse Road,
Fleetwood, FY7 7NY, UK

declares that the new PPE described hereafter

Bicycle Helmet /1670007-H and 1670008-H

is in conformity with the provisions of Module B of the Personal Protective Equipment Regulations (Regulation (EU) 2016/425 as Brought into UK law and amended) and with the national standard transposing approved standard (s) EN 1078:2012+A1:2012

is identical to the PPE which is the subject of UKCA certification of conformity 0120/PPE/220814 Issue 1 issued by

SGS United Kingdom Limited,
Rossmore Business Park
Ellesmere Port South Wirral Cheshire CH65 3EN
Approved Body Number: 0120

Done in Hong Kong, 15/Aug/2023



.....
Name
On behalf of Company



If you have any questions or concerns regarding this product,
do not hesitate to contact our expert team online
via online4baby.com/contact-us

Feeling social?  
online4baby.com

Imported by Online4baby Ltd,
Meadowbank, Tweedale Way, Oldham, OL9 8EH, UK