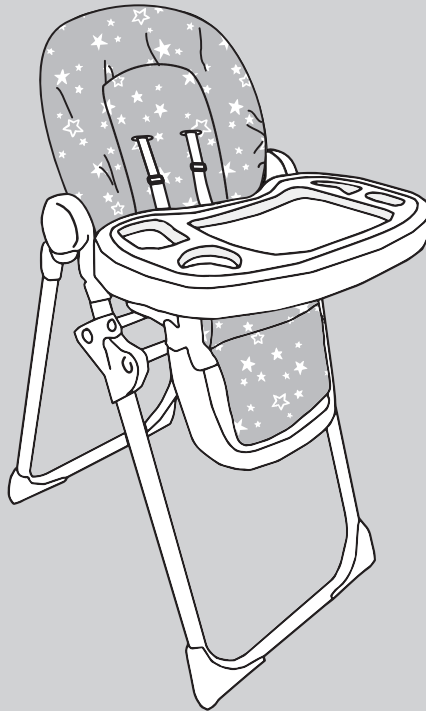


Yum Yum Hi Lo Highchair

Instruction manual



**IMPORTANT - RETAIN FOR FUTURE
REFERENCE, READ CAREFULLY.**

Warning: A child's safety is your responsibility.

This product is tested and approved to EN 14988:2017+A1:2020

1. Contents

1. Contents	01
2. Welcome	01
3. Safety instructions	02
4. Parts List	03
5. Assembly	04
5.1. Leg assembly	04
5.2. Leg assembly	04
5.3. Leg assembly	05
5.4. Feet assembly	05
5.5. Footrest assembly	06
5.6. Footrest assembly	06
5.7. Tray assembly	07
5.8. Tray assembly	07
5.9. Basket assembly	08
6. Using the highchair	09
6.1. Harness adjustment	09
6.2. Harness adjustment	10
6.3. Harness height adjustment	10
6.4. Tray adjustment	11
6.5. Height adjustment	12
6.6. Backrest adjustment	13
6.7. Folding	13
7. Care and maintenance	14
7.1. Cleaning	14
7.2. Maintenance	14

2 .Welcome

Thank you for purchasing the Puggle Yum Yum Hi Lo Highchair.

Please read the instructions and warnings carefully before use to ensure safe and satisfactory operation of of your Puggle Yum Yum Hi Lo Highchair.

If you have a query with this product or require replacement parts, please contact Online4baby online at online4baby.com/contact-us.

3. Safety instructions

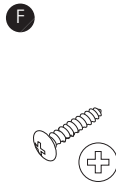
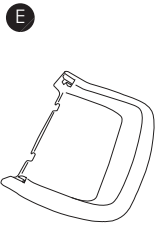
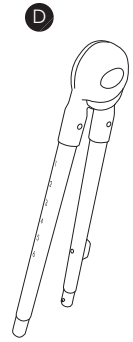
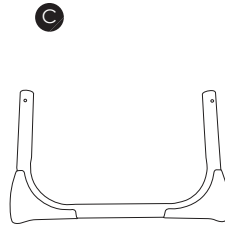
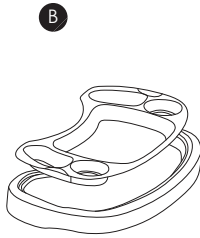
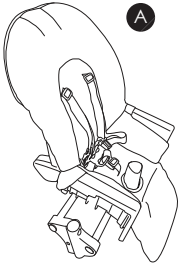
IMPORTANT! PLEASE READ THE FOLLOWING INSTRUCTIONS CAREFULLY BEFORE INSTALLING THE PRODUCT.

- **WARNING!** Read these instructions carefully before assembly and use and keep for future reference. The child may be hurt if you do not follow these instructions.
- **WARNING!** The product is intended for children able to sit up unaided and up to 3 years or a maximum weight of 15kg.
- **WARNING!** Never leave the child unattended.

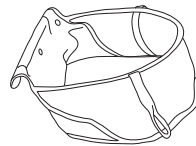


- **WARNING!** Always keep child in view while in the highchair.
- **WARNING!** The harness must always be used and correctly fitted. Most injuries from highchairs are caused by falls.
- **WARNING!** Falling hazard: Prevent your child from climbing on the product.
- **WARNING!** Be aware of the risk of tilting when your child can push its feet against a table or any other structure.
- **WARNING!** Do not use the highchair unless all components are correctly fitted and adjusted.
- **WARNING!** Be aware of the risk of open fires and other sources of strong heat, such as electric bar fires, gas fires etc. in the vicinity of the highchair.
- **WARNING!** To avoid injury ensure that your child is kept away when unfolding and folding this product.
- Position the highchair on a flat, horizontal and even floor. Do not elevate the highchair on any structure.
- DO NOT allow anyone to climb or stand on or inside of this highchair.
- To reduce the risk of injury always position the highchair away from furniture, walls, heat sources and cords including window cords or electrical wires.
- If being used at a table with the tray removed, position away from furniture.
- Do not use the highchair until the child can sit up unaided. This is usually around 6 months of age.
- Do not use the highchair if any part is broken or missing.
- Regularly check all connections to ensure they are tight.
- Keep plastic packaging away from children to avoid danger of suffocation.
- The maximum weight load of the basket provided is 1kg.
- This highchair conforms to EN 14988:2017+A1:2020

4. Parts List



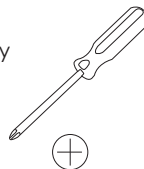
I



Contained in your carton are:

Nº	Part	Qty
A	Seat unit	1
B	Tray (main and snack)	1
C	Feet	2
D	Legs	2
E	Footrest	1
F	Screw (long)	2
G	Screw (short)	2
H	Stop washer	2
I	Basket	1

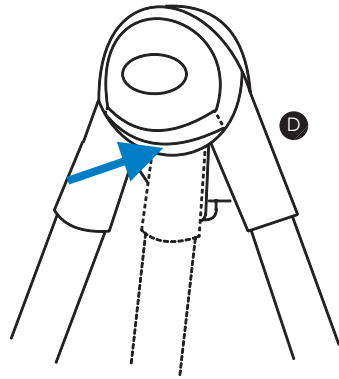
Cross head screwdriver required for assembly (not included).



5. Assembly

5.1. LEG ASSEMBLY

Locate either the left or right leg (D).
Press and hold the button and extend
the leg. Release the button.
Take the other leg and repeat.

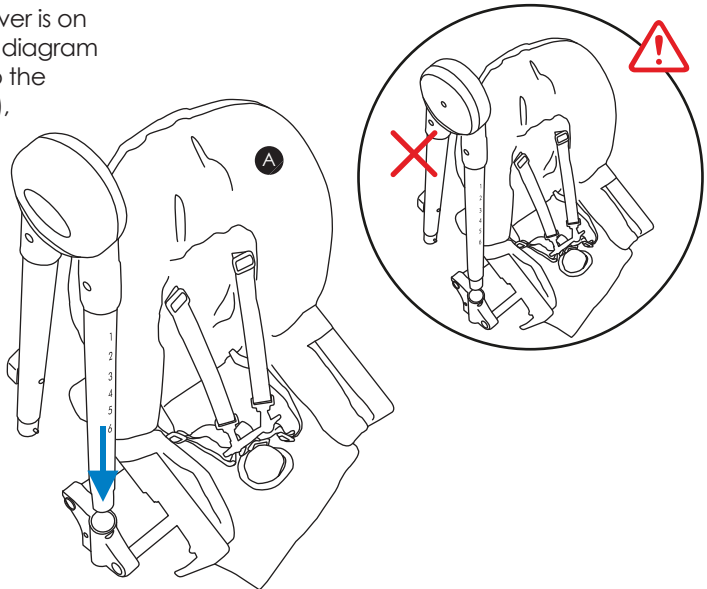


WARNING!

When unfolding the highchair
always ensure legs are fully open
and the lock is engaged before
use.

5.2. LEG ASSEMBLY

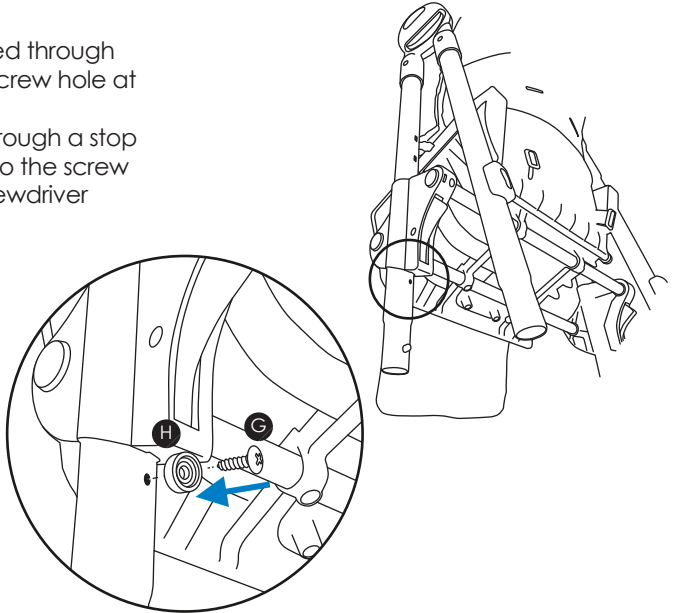
Ensure the leg joint cover is on
the outside as per the diagram
and insert the legs into the
top of the seat unit (A),
adjusting brackets.



5. Assembly

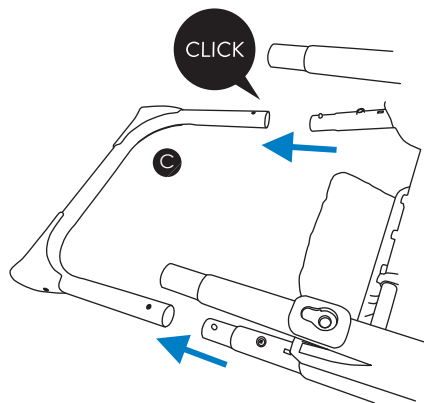
5.3. LEG ASSEMBLY

Once both legs are in fitted through the seat unit, locate the screw hole at the rear of the front leg. Insert a short screw (G) through a stop washer (H) and secure into the screw hole using cross head screwdriver (not included). Repeat for the right leg.



5.4. FEET ASSEMBLY

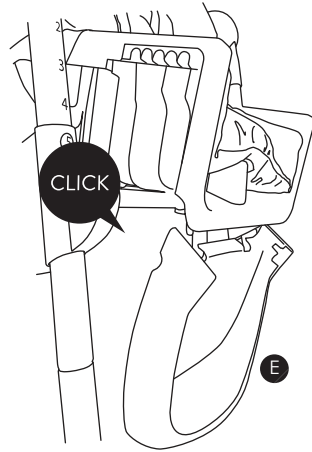
Each leg has a spring loaded pin. Line up one of the feet (C) so that the small hole in the top of the foot aligns with the spring pin. Push firmly on the foot at either end until each of the 2 spring pins "click" into place. Repeat for the other foot.



5. Assembly

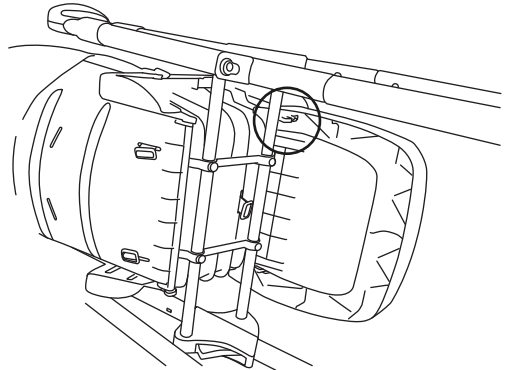
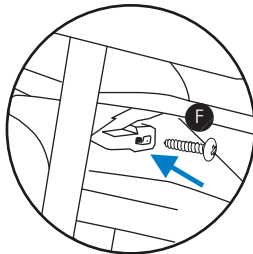
5.5. FOOTREST ASSEMBLY

Attach the footrest (E) underneath the seat unit as shown. Listen for the "click".



5.6. FOOTREST ASSEMBLY

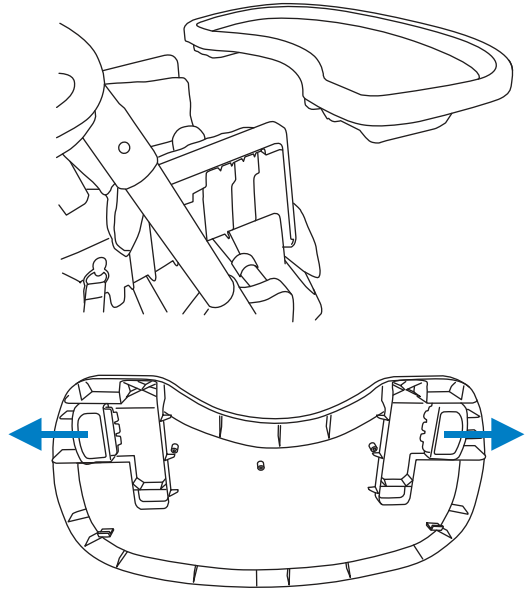
Insert the long screw (F) into the footrest from the rear as shown. Secure with screwdriver. Repeat for the other side.



5. Assembly

5.7. TRAY ASSEMBLY

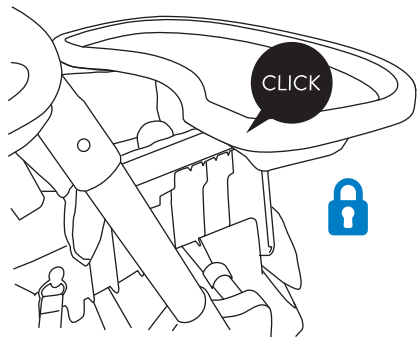
The tray has 3 positions, indicated on the armrests. Position the tray (B) over the arms and pull outward on the side levers found on the underside of the tray. At the same time, slide the tray to the desired position.



5.8. TRAY ASSEMBLY

Release the levers to lock the tray.

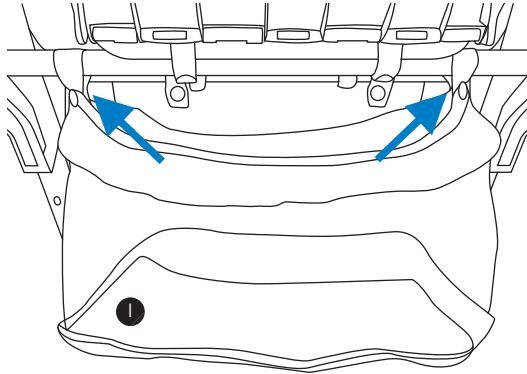
If the tray is not automatically locked onto the armrests, move back and forth slightly until you hear a "click" signalling the tray is securely locked.



5. Assembly

5.8. BASKET ASSEMBLY

The basket (I) attaches around the tube underneath the seat unit. Wrap the webbing around the tube and fasten the press studs.



WARNING!

The maximum weight load of the basket is 1kg.

6. Using the Highchair

6.1. HARNESS ADJUSTMENT

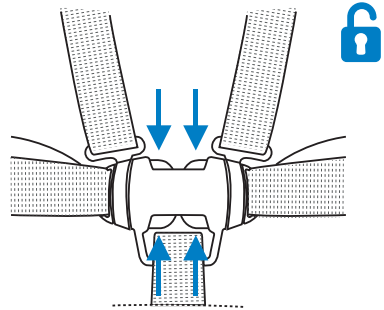
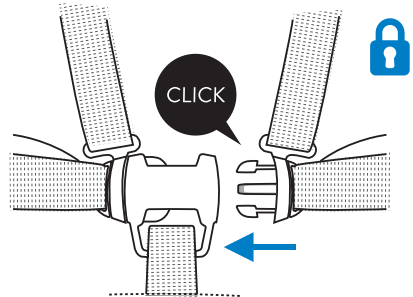
A 5 point safety harness is provided to secure your child and should always be worn.

To fasten, push the prongs into the buckle housing. Listen for the "click".

WARNING!

Always use the harness and ensure it is correctly fitted securely while the child is in the highchair.

To release, push the prongs and remove from the buckle.

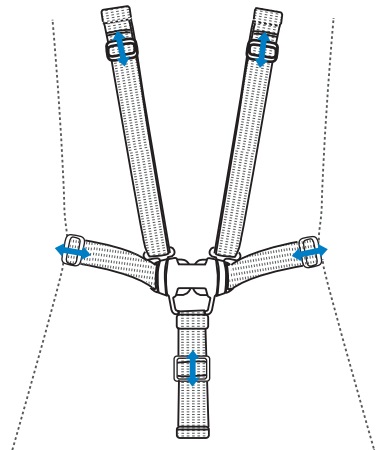


6.2. HARNESS ADJUSTMENT

Using the 5 sliding adjusters, adjust the harness to fit your child comfortably.

WARNING!

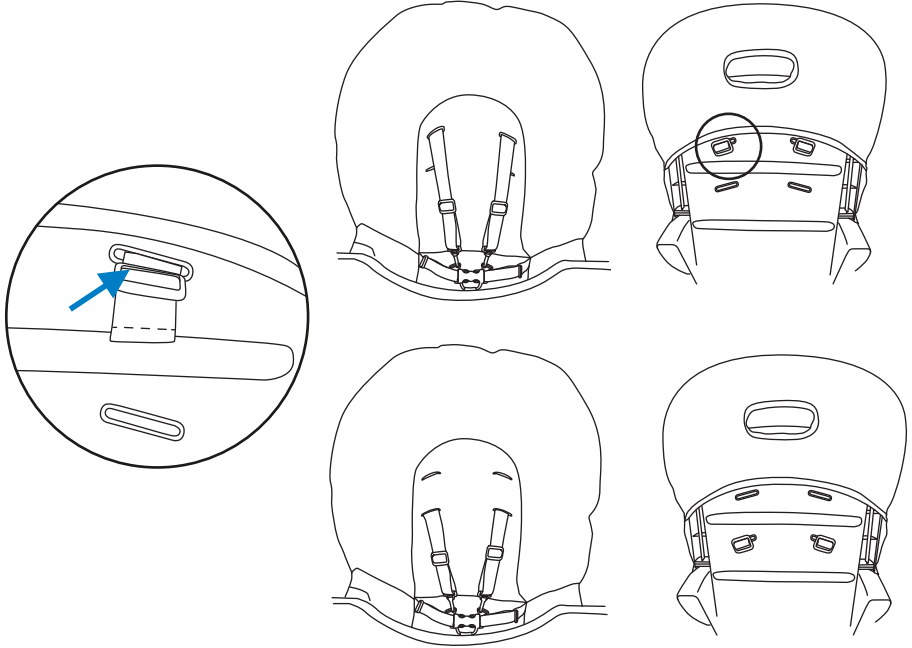
Always adjust the harness to fit your child correctly for their comfort and safety. A loose fitting harness can be very dangerous.



6. Using the Highchair

6.3. HARNESS HEIGHT ADJUSTMENT

1. To adjust the shoulder height pass the ends of the harness through the horizontal slots in the backrest.



2. The harness can be completely removed for cleaning.

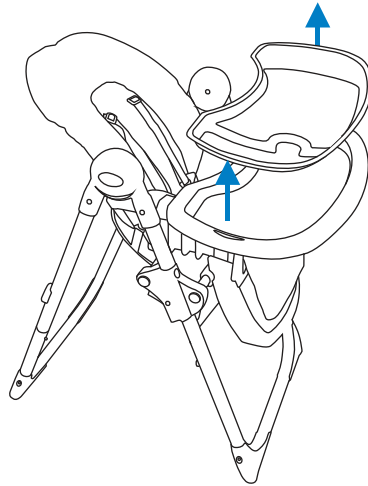
To do so, pass the ends of the shoulder, waist and crotch harness through the slots in the seat unit.

To re-fit the harness, reverse the above process. Always check all straps are secure before using the highchair.

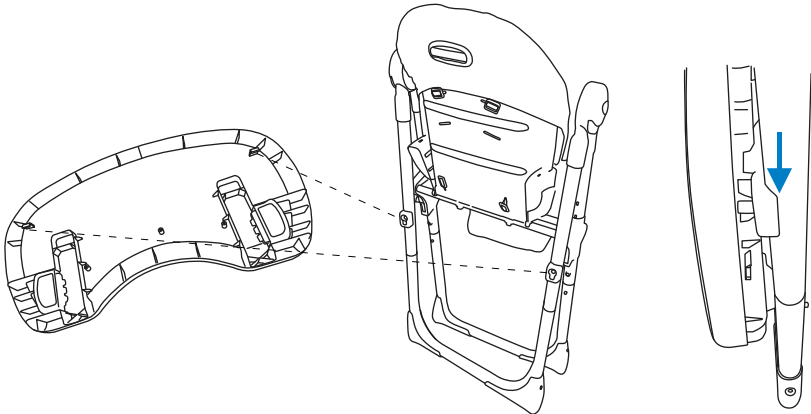
6. Using the Highchair

6.4. THE TRAY

Both a main tray and an inner snack tray are provided. Pull up at the side to remove snack tray from main tray.



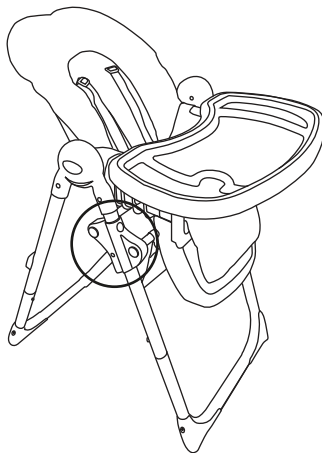
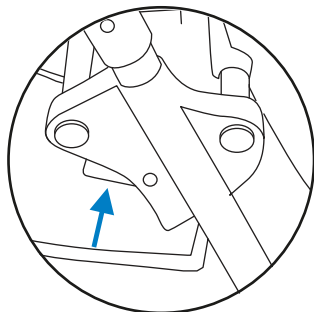
The tray may be stored at the rear of the highchair. Slot the pegs on the tray into the housing on the rear legs and push down.



6. Using the Highchair

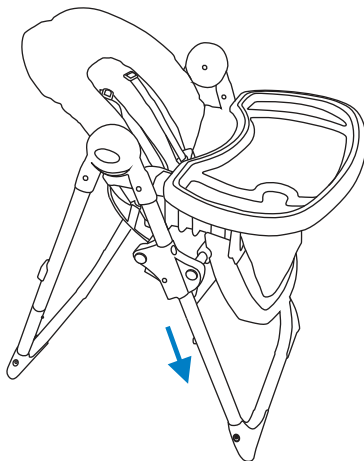
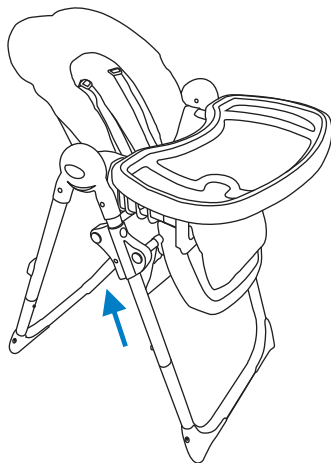
6.5. HEIGHT ADJUSTMENT

The highchair has 6 height positions. Push in both of the height adjusting blocks and simultaneously raise or lower the seat. Release both of the locks at the required height.



WARNING!

Do not adjust the seat height when the child is in the highchair.



6. Using the Highchair

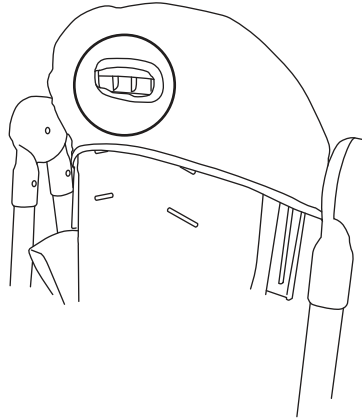
6.6. BACKREST ADJUSTMENT

Lift the plastic lever on the back of the seat unit and position the backrest as required. Release the mechanism to secure into place.



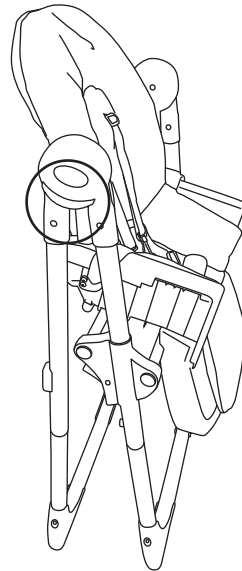
WARNING!

Do not adjust seat recline when the child is in the seat.



6.7. FOLDING

Press both leg buttons and simultaneously slide the rear legs forward. Check the highchair is correctly folded in its locked position before leaving to stand free. For a more compact fold, fit the tray to the rear of the highchair.



7. Care and Maintenance

7.1. CLEANING



- To clean, wipe with warm water and a mild detergent. A mild disinfectant may be used. Stubborn marks may be removed with a non-abrasive cream cleaner.
- Sponge clean the harness with a mild soap and water solution. Rinse and wipe dry.
- Never clean any part of highchair with abrasive, ammonia based, bleach based or spirit type cleaners.
- Ensure the highchair is fully dry before use or storage.
- Always ensure the highchair is stored in a dry place away from direct sunlight.

7.2. MAINTENANCE

- Regularly maintain your highchair to keep it in good working order.
- Moving parts may be lubricated with a light silicone oil.
- Regularly check all parts of the product to ensure that they are operating correctly and for signs of wear or damage.
- Do not use this product if any part is broken, torn or missing and use only spares provided by the manufacturer.



If you have any questions or concerns regarding this product,
do not hesitate to contact our expert team online
via online4baby.com/contact-us

Feeling social?  
online4baby.com

Imported by Online4baby Ltd,
Meadowbank, Tweedale Way, Oldham, OL9 8EH, UK