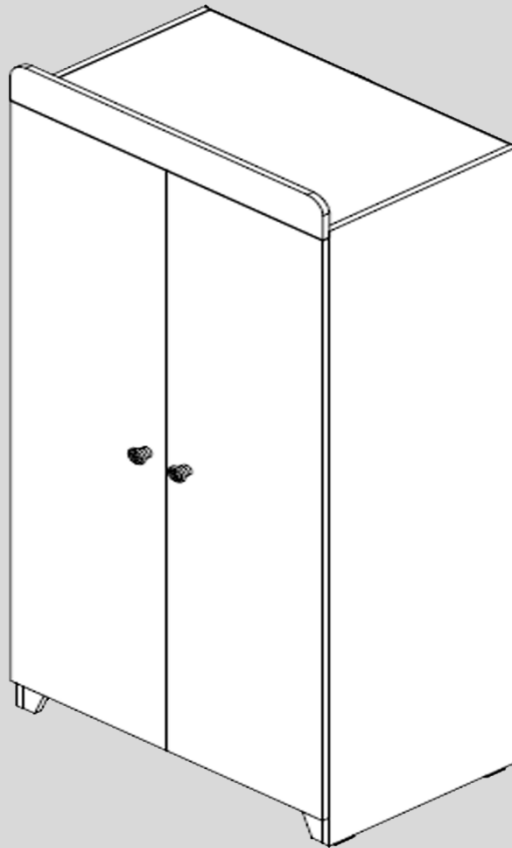


Classic Wardrobe

Instruction manual



IMPORTANT – Please read these instructions carefully before use and retain for future reference.

Safety Instructions

IMPORTANT – Read the instructions carefully before use and keep for future reference.

- **WARNING:** A child's safety is your responsibility.
- **WARNING:** Never leave the child unattended.
- **WARNING:** Only use on a firm ground which is horizontal, level and dry.
- **WARNING:** Do not let other children play unattended near the Wardrobe.
- **WARNING:** Do not use if any part of the stand is broken, torn or missing.
- The Wardrobe is suitable for children from birth up to 11kg (approximately 12 months of age).
- Suitable for use with a changing mat of max size 40 x 76.4cm
- DO NOT attempt to move the Wardrobe whilst it is in use.
- DO NOT place near an open fire and other sources of strong heat, such as electric bar fires, gas fires etc.
- DO NOT place the Wardrobe next to another product, which could present a danger of strangulation e.g. strings, blind/curtain cords.
- To prevent entrapment, do not place the Wardrobe near to other objects.
- DO NOT use this Wardrobe for anything other than its intended purpose.
- Any additional or replacement parts can only be obtained from the manufacturer or the distributor.
- Regularly check that fixings are secure and if required tighten accordingly.
- Always use the wall attachment strap provided.
- DO NOT use power tools to assemble this product. Power tools can cause screws and their fittings to over-tighten and damage the wood. Power tools will also draw out the embedded insert nuts.
- After product is assembled ensure that all screws are securely tightened.
- Ensure there are no small parts, fittings left after assembly or that can be easily accessible as these can be a choking hazard.

Welcome

Thank you for purchasing the Puggle Classic Wardrobe.

Please read these instructions and safety warnings carefully before use to ensure safe and satisfactory operation of this product.

Your child's safety is your responsibility. If you have a query with this product or require replacement parts, please contact Online4baby online at online4baby.com/contact-us.

Lay out the parts on a soft level surface and compare to the part/fixings checklist. Do not discard any packaging until you are sure that you have all the parts.

WARNING! Assembly by an adult. Keep away from children until fully assembled. Keep children clear during assembly as pack contains small parts which may present a choking hazard.

Before Assembly

Before assembly, please ensure that you have read and understood the instructions. The carefully unpack our wardrobe and ensure that all parts are present, please see parts list as follows.

Discard packaging in accordance with your local authority guidelines.

We advise that the wardrobe should be assembled in the room where it is intended to be used, two person assembly is recommended. The wardrobe should be assembled on a clean surface, free from any sharp objects that could mark or damage the product.

CAUTION: There are many small components used in the construction of this wardrobe. These items should be kept out of reach of young children whilst assembling the unit.

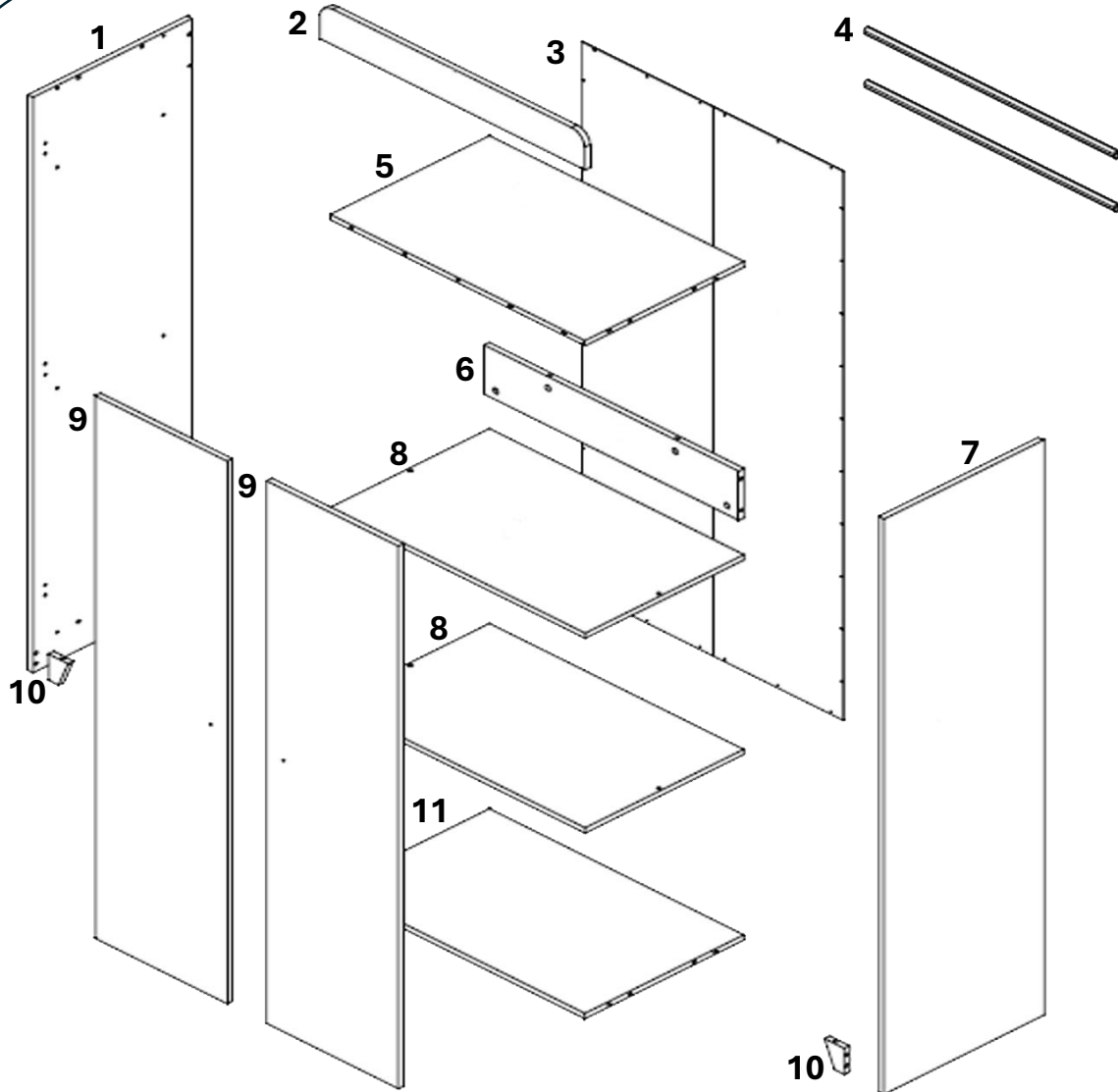
NOTE: When unpacking this product there may be a slight odour, this is perfectly normal. We recommend allowing the product to air out in a well-ventilated room to allow the odour to dissipate prior to use.



2 Man assembly recommended, approximate build time 30 minutes.








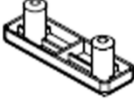



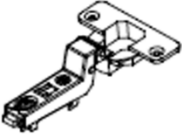




Parts List



Parts included with your Classic Wardrobe are:

Part.	Description	Qty	Part.	Description	Qty
1	Left Side Panel	1	7	Right Side Panel	1
2	Top Front Panel	1	8	Shelf	2
3	Back Board	1	9	Wardrobe Door	2
4	Hanging Rails	2	10	Feet	2
5	Top Panel	1	11	Base Panel	1
6	Top Back Panel	1			

Fixings List

A 	B 	C 
D 	E 	F 
G 	H 	I 
J 	K 	L 
M 	N 	

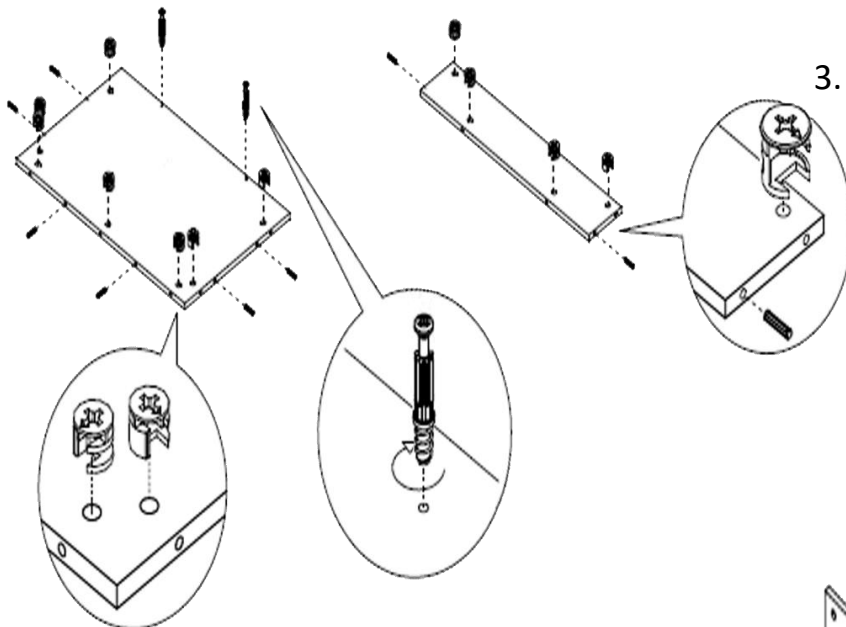
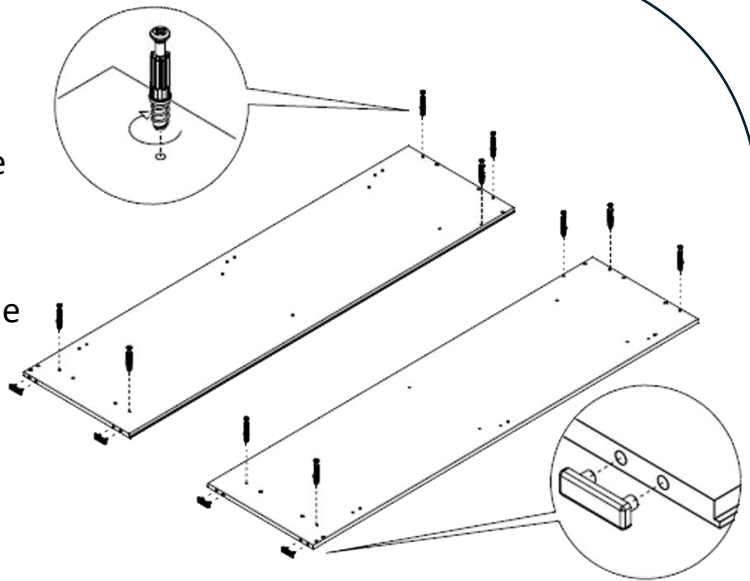
Parts included with your Classic Dresser are:

Part.	Description	Qty	Part.	Description	Qty
A	Handle Screws	2	H	Screw	12
B	Cam Lock	15	I	Door Handle	2
C	Wooden Dowel	18	J	Door Hinge Part B	6
D	Cam Lock Screw	15	K	Wall Fixing Kit	1
E	Door Hinge Part A	6	L	Shelf Support	8
F	Plastic Stopper	4	M	Rail Mount	4
G	Wood Screw	32	N	Rail Mount Screw	4

WARNING: DO NOT use power tools to tighten screws only use a cross-headed screwdriver (not supplied).

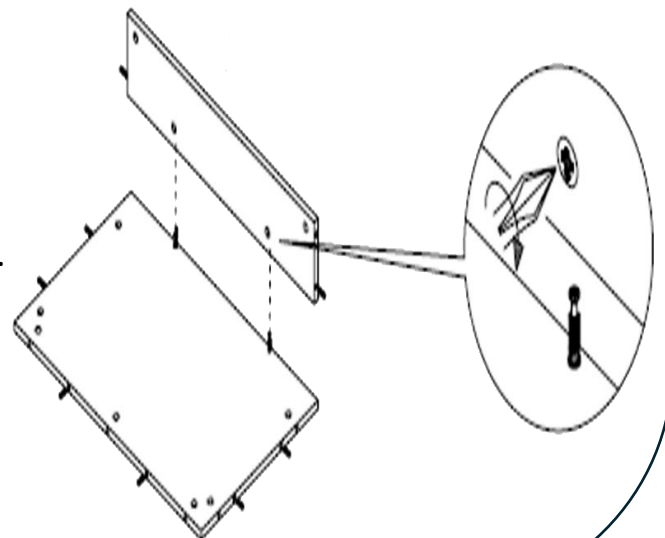
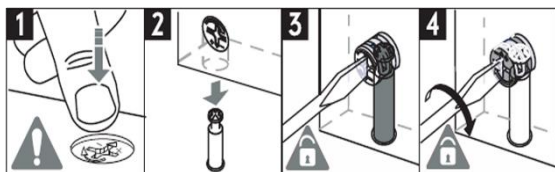
Assembling the Classic Wardrobe

1. Attach Cam Lock Screws (D) to both the Left Side Panel (1) and Right Side Panel (7) using a cross-headed screwdriver (not supplied).
2. Insert the Plastic Stoppers (F) into the corresponding holes on the bottom of both the Left Side Panel (1) and Right Side Panel (11).



3. Attach Cam Lock Screws (D) into both the Top Panel (5). Insert both Cam Locks (B) and Wooden Dowels (C) into the corresponding slots on both the Top Panel (5) and the Top Back Panel (6).

4. Attach the Top Back Panel (6) to the Top Panel (5), lock the Cam Locks (B) into place on the Cam Lock Screws (D) as shown right.



Assembling the Classic Wardrobe

5. Attach Cam Lock Screws (D) to the Top Front Panel (2) as shown right using a cross-headed screwdriver (not supplied).

6. Insert Wooden Dowels (C) into both Feet (10).

7. Insert both Wooden Dowels (C) and Cam Locks (B) into the Base Panel (11).

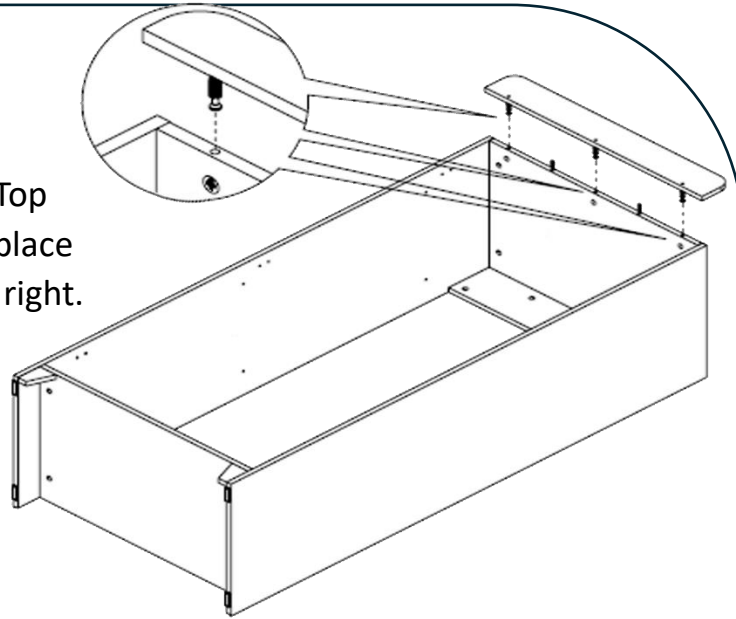
8. Attach the Feet (8) to the Base Panel (11) as shown left.

9. Attach both the Left Side Panel (1) and the Right Side Panel (7) to both the Top Panel (5) and the Base Panel (11) as shown right, lock the Cam Locks (B) into place on the Cam Lock Screws (D) as shown left.

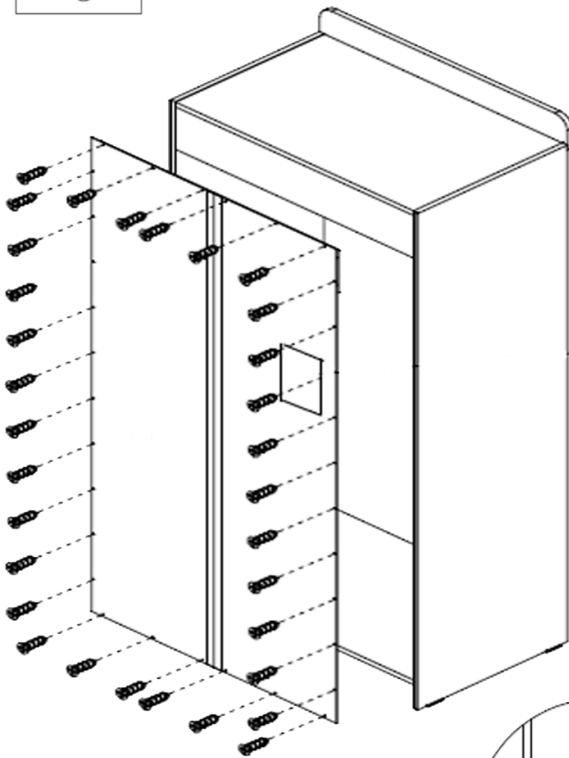


Assembling the Classic Wardrobe

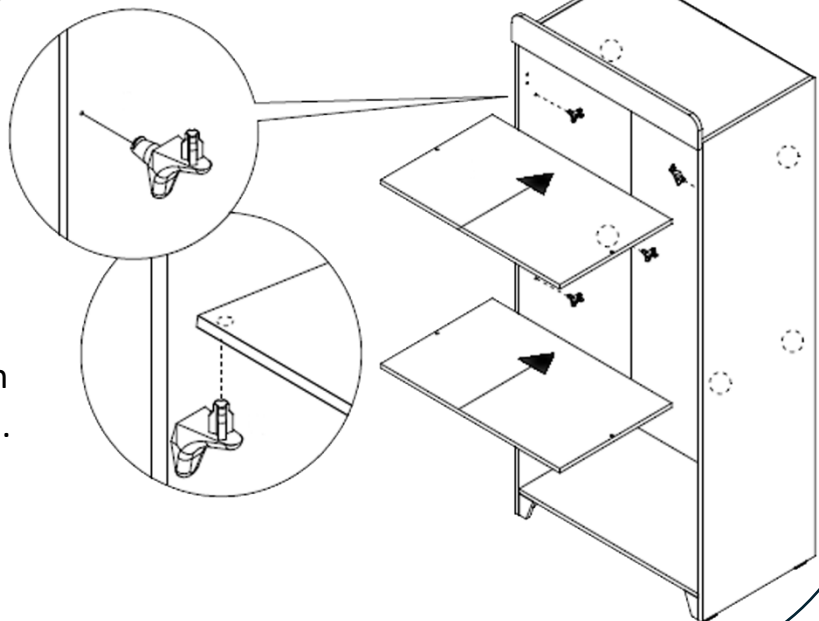
10. Attach the Top Front Panel (2) to the Top Panel (5), lock the Cam Locks (B) into place on the Cam Lock Screws (D) as shown right.



11. Attach the Back Board (3) to the assembled wardrobe frame, using the Wood Screw (G) and tighten with a cross-headed screwdriver (not supplied).

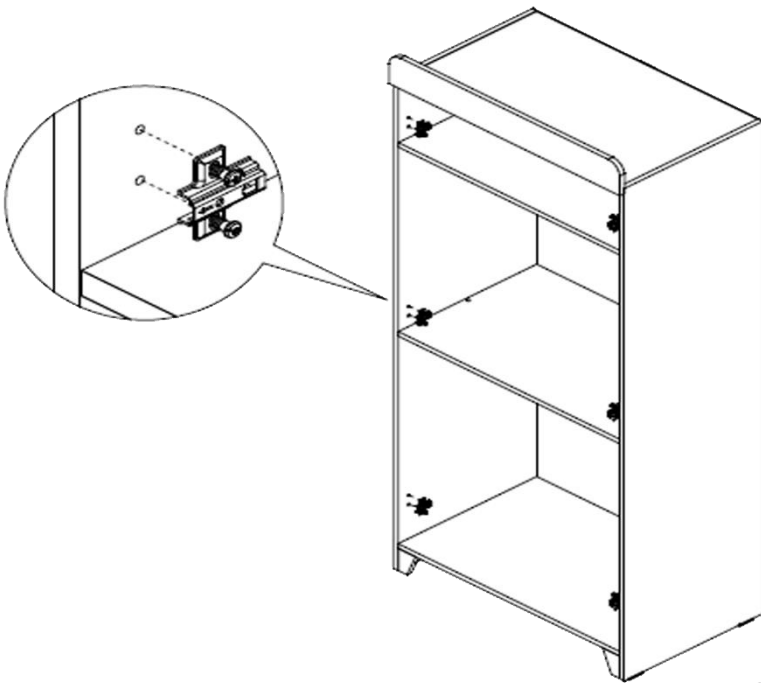
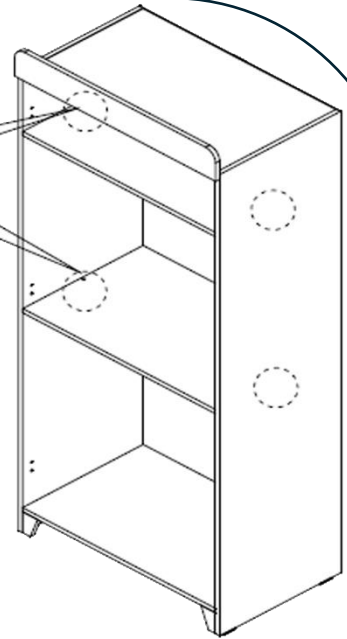
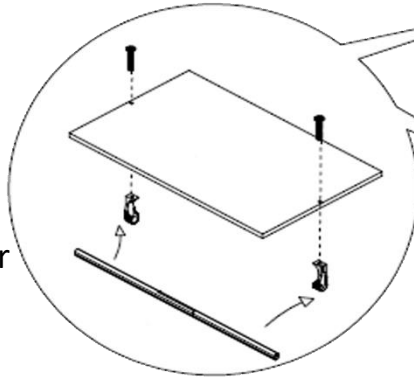


11. Insert the Shelf Support (L) into the corresponding holes on both the Left Side Panel (1) and Right Side Panel (7).
12. Attach the Shelves (8), ensuring that they are firmly in place on the Shelf Supports (L).



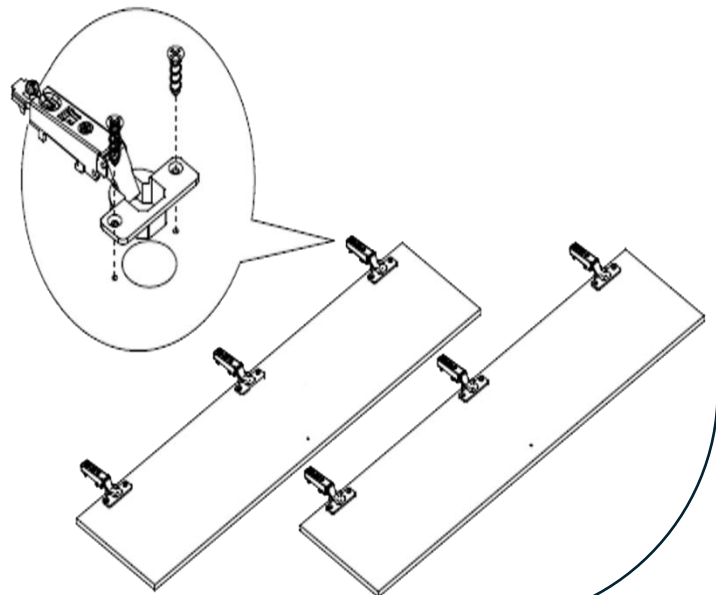
Assembling the Classic Wardrobe

12. Attach the Rail Mounts (M) to the underside of the Shelves (8) and fix into place using the Rail Mount Screws (N) and tighten with a cross-headed screwdriver (not supplied).



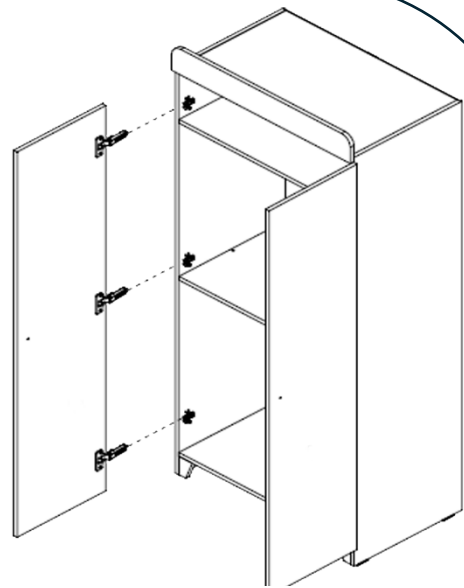
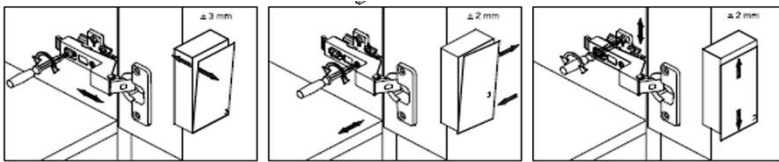
13. Attach the Door Hinge Part A (E) to both the Left Side Panel (1) and Right Side Panel (7) using a cross headed screwdriver (not supplied) as shown left.

14. Attach the Door Hinge Part B (J) to both Wardrobe Doors (9), using a cross headed screwdriver (not supplied) as shown right.

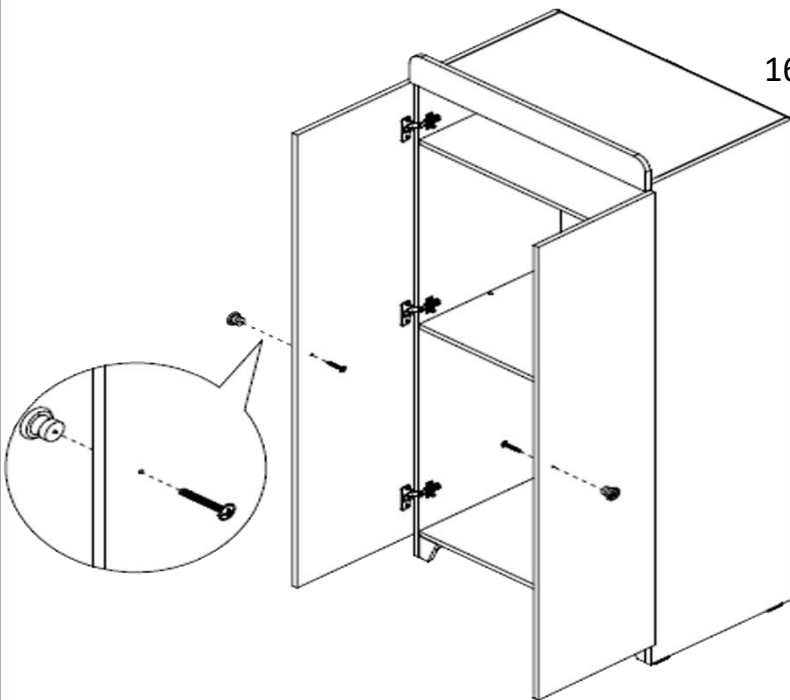


Assembling the Classic Wardrobe

15. Attach the Doors (9) to the wardrobe frame by slotting Door Hinge Part B (J) into the Door Hinge Part A (E), fix into place using the screws on the Door Hinge Part B (J) as shown below.



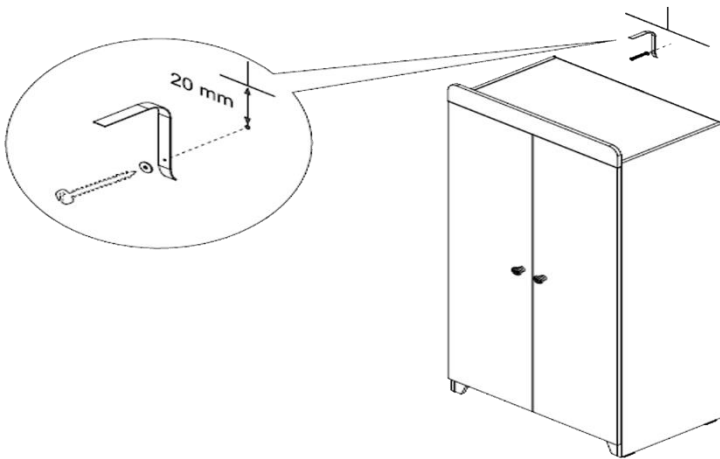
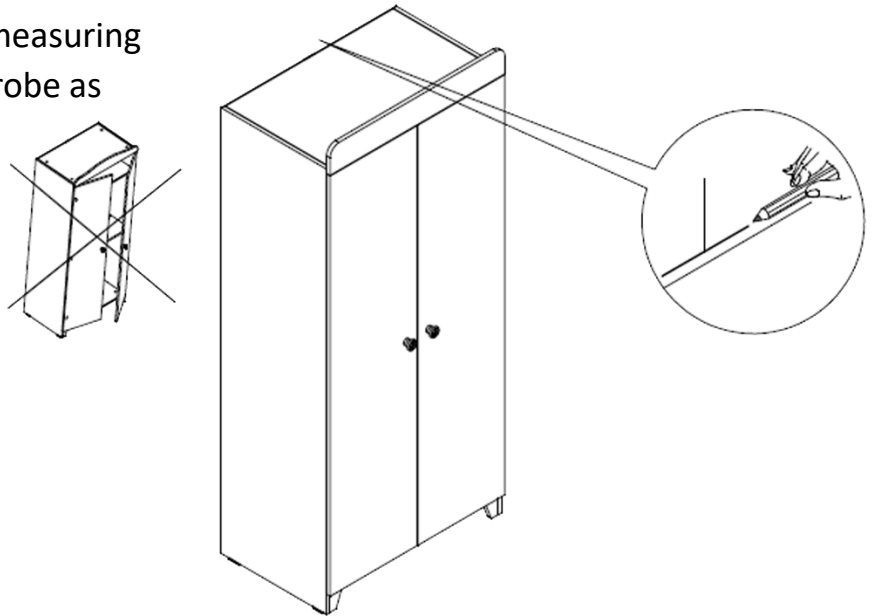
16. Attach the Door Handles (I) to the Wardrobe Doors (9), using the Handle Screws (A) and tighten with a cross-headed screwdriver not supplied.



Wall mounting the Classic Wardrobe

WARNING! Furniture should be fixed to the wall to prevent it from falling over during use. Fixing the furniture to the wall shall be carried out in accordance to instruction attached to the fitting. Always use the wall attachment strap provided to prevent toppling and serious injury to the a child.

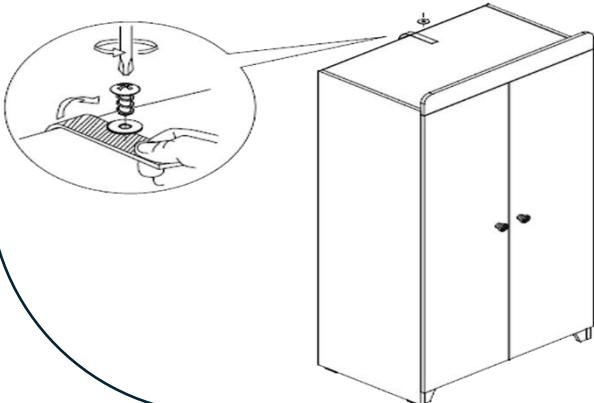
17. Using the assembled wardrobe mark on the wall to be mounted on measuring the centre point of the wardrobe as shown right.



18. Using the centre mark as a reference, measure 20mm below and drill a hole.

19. Attach the strap from the Wall Fixing Kit (K) using the washer and screw provided as shown left.

20. Attach the opposite end of the strap to the top of the wardrobe using the remaining washer and screw from the Wall Fixing Kit (K).



Care and Maintenance

WARNING! In order to prevent overturning this product must be used with the wall attachment device provided. Serious or fatal crushing injuries can occur from furniture tipping over. To help prevent tipping;

- Use the wall attachment device provided.
- Never allow children to climb or hang on drawers, doors or shelves.
- Place heaviest items in the lower drawers or shelves.
- Unless specifically designed to accommodate, do not set TV's or other heavy objects on top of this product.
- Never open more than one drawer at a time.

An attachment device is provided with your product, however you will need to source suitable fixings for your wall type. If in doubt, please consult a qualified tradesperson. Always ensure the wall to be drilled is free from hidden electrical wires, water and gas pipes.

- Scuff marks may be removed with a soft, damp cloth.
- Occasional use of furniture polish will maintain the finish of your stand.
- **DO NOT** use harsh or abrasive cleaners or bleaches on this product, as they may damage the finish.
- Periodically check all screw fixings to ensure they remain tight and tighten where required.
- Take care when handling or moving the furniture. Careless handling may cause damage.
- This product features a permanent safety label, please do not remove.

Box contents

This product is supplied in 3 boxes, please find parts list below with box number for easy reference;

Part No.	Part Description & Quantity	Box No.	Part Dimensions (mm)
1	Left Side Panel x1	Box 2 of 3	1752 x 484 x 16
2	Top Front Panel x1	Box 1 of 3	800 x 110 x 16
3	Back Board x1	Box 3 of 3	1672 x 790 x 2.5
4	Hanging Rail x2	Box 1 of 3	754
5	Top Panel x1	Box 1 of 3	768 x 480 x 16
6	Top Back Panel x1	Box 1 of 3	766 x 100 x 16
7	Right Side Panel x1	Box 2 of 3	1752 x 484 x 16
8	Shelf x2	Box 1 of 3	768 x 479 x 16
9	Wardrobe Door x2	Box 3 of 3	1652 x 398 x 16
10	Feet x2	Box 1 of 3	80 x 60 x 16
11	Base Panel x1	Box 1 of 3	768 x 479.5 x 16

puggle™

Feeling social?  

[online4baby.com](https://www.online4baby.com)

Imported by Online4baby Ltd.

Meadowbank, Tweedale Way, Oldham, OL9 8EH