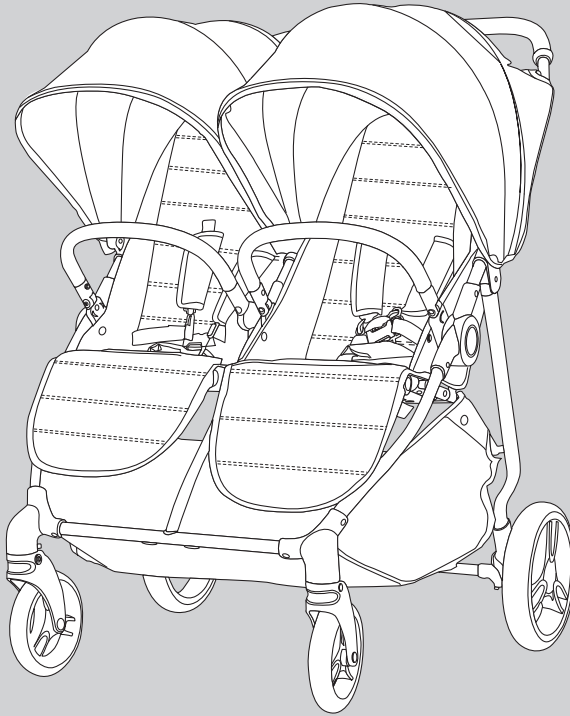


Urban City Easyfold Twin Pushchair

Instruction manual



**IMPORTANT - RETAIN FOR FUTURE
REFERENCE, READ CAREFULLY.**

Warning: A child's safety is your responsibility.

This product is tested and approved to
BS EN 1888-1:2018+A1:2022

1. Welcome

Thank you for purchasing the Puggle Urban City Easyfold Twin Pushchair.

Please read the instructions and warnings carefully before use to ensure safe and satisfactory operation of your Puggle Urban City Easyfold Twin Pushchair.

If you have a query with this product or require replacement parts, please contact Online4baby online at online4baby.com/contact-us.

2. Safety instructions

IMPORTANT! PLEASE READ THE FOLLOWING INSTRUCTIONS CAREFULLY BEFORE INSTALLING THE PRODUCT.

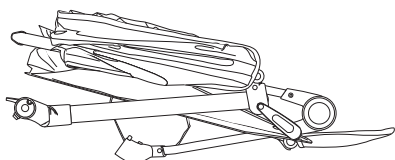
- **WARNING!** Keep for future reference. The child may be hurt if you do not follow these instructions.
- **WARNING!** A child's safety is your responsibility.
- **WARNING!** This pushchair is suitable for children from 0 to 36 months, or up to 15 kg whichever comes first. Used in the most reclined position for newborn babies.
- **WARNING! Never leave the child unattended.**
- **WARNING! Ensure all locking devices are engaged before use.**
- **WARNING! This product is not suitable for running or skating.**
- **WARNING! Always use the restraint system.**
- **WARNING! The seat backrest must be reclined to its lowest position before folding. Do not force folding in any other position.**
- The vehicle shall be used only for up to two children.
- Any load attached to the handle and/or on the back of the backrest and/or on the sides of the vehicle will affect the stability of the vehicle.
- Always apply the parking brake when the product is stationary.
- Ensure the parking brake is engaged during the loading and unloading of the child.
- Take extra care in windy conditions.
- Be careful when going up or down kerbs.
- **WARNING! To avoid injury ensure that your child is kept away when unfolding and folding this product.**
- **WARNING! Do not let your child play with this product.**
- **WARNING!** Always use the crotch strap in combination with the waist belt section of the harness.
- **WARNING! Check that the pram body or seat unit attachment devices are correctly engaged before use.**
- **WARNING!** Do not let the child or other children play or hang on the product.
- **WARNING!** Do not use this product if any part is broken, torn or missing.

2. Safety instructions

- **WARNING!** Do not place the product near an open fire or other source of strong heat.
- Adult assembly is required.
- To avoid the risk of suffocation, keep all plastic packaging and materials out of reach from children.
- Bags and other items should not be hung from the handles as this can affect the stability of the product.
- Do not use parts or accessories which are not approved by the manufacturer.
- Do not allow your child to climb unassisted into the product.
- Remove your child and fold the product when going up or down escalators and stairs.
- If this product is used by someone unfamiliar with it e.g. grandparents, always show them how it works.
- A basket is provided for the carriage of 3kg of items evenly distributed.
- Overloading, incorrect folding and the use of non-approved accessories is unsafe and may damage or break this product.
- Never leave the raincover, hood or footmuff on indoors, in a hot atmosphere or near a heat source as your child may overheat.
- To prevent damage, remove the raincover before folding the pushchair.
- Do not place anything on top of the raincover.

3. Parts List

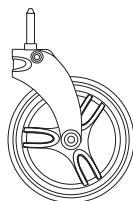
A



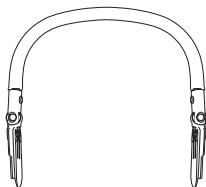
B



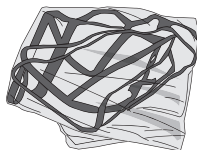
C



D



E



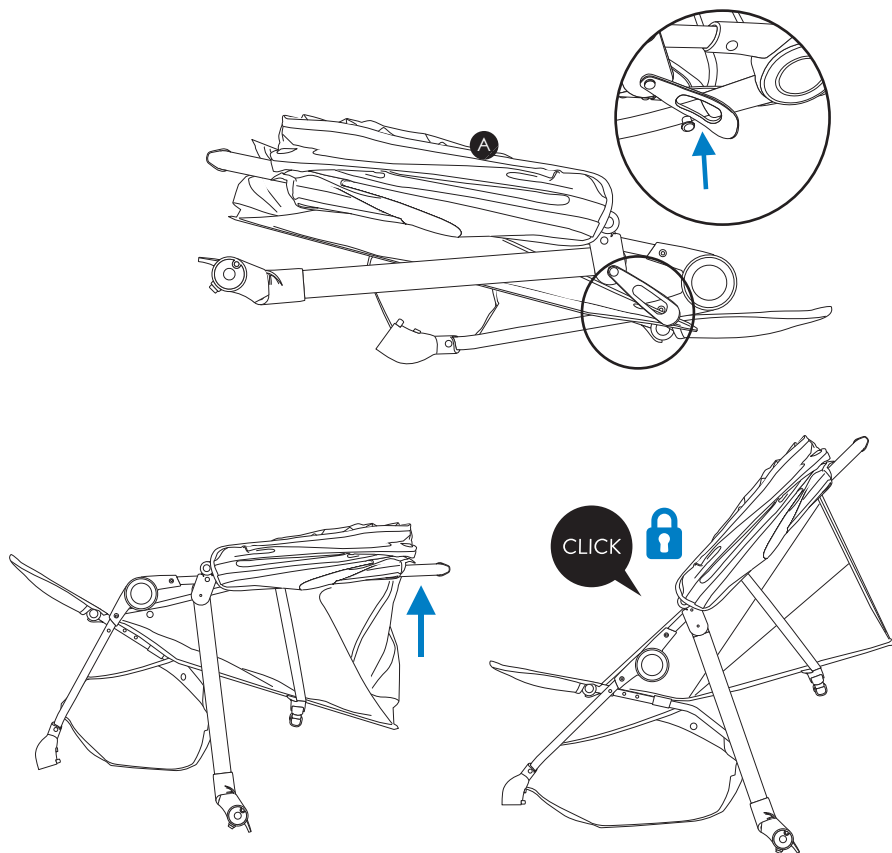
Contained in your carton are:

N ^o	Part	Qty
A	Pushchair	1
B	Rear wheels	2
C	Front wheels	2
D	Bumper bar	2
E	Raincover	1

4. Assembly

4.1. CHASSIS ASSEMBLY

To open the pushchair (A) from the folded position, release the frame lock on the left side of the frame and lift the handlebar upwards until the frame locks into place.

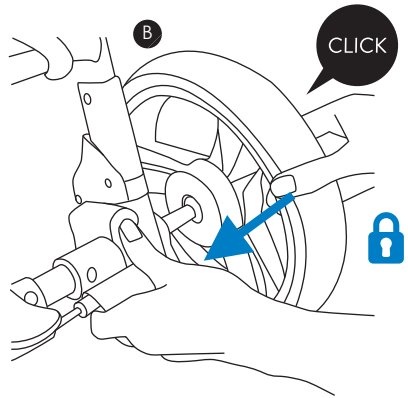


4. Assembly

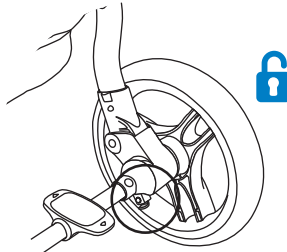
4.2. REAR WHEEL ASSEMBLY

Push each rear wheel (C) into the sides of the rear wheel axle until you hear a "click".

Give them a tug to ensure they are attached securely.



To remove the rear wheels, simply pull out the metal latch located underneath the rear wheel axle and pull the wheel out.

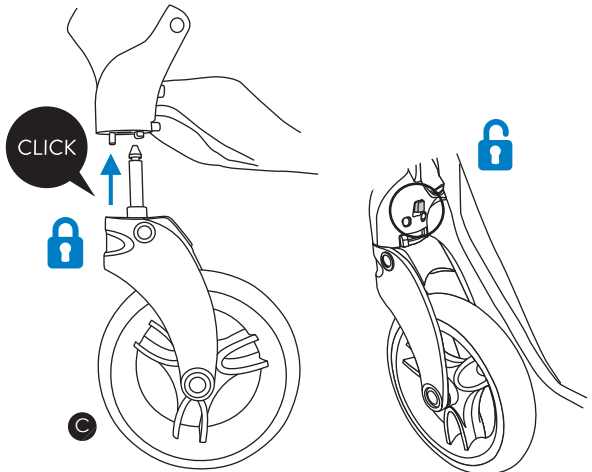


4.3. FRONT WHEEL ASSEMBLY

Insert each of the front wheel (C) pins into the center of the socket until you hear a "click".

Give each wheel a firm tug to ensure they're securely attached.

To remove the front wheels, simply press the button at the back of the wheel socket and pull down.



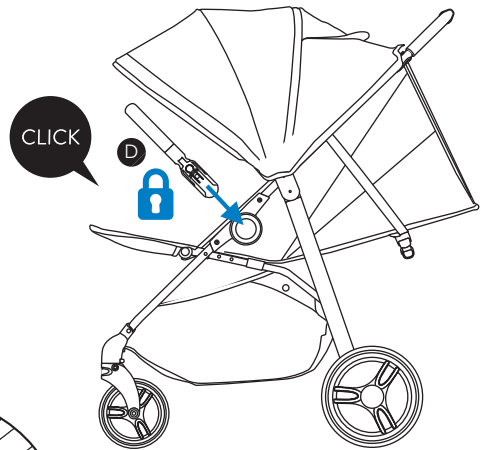
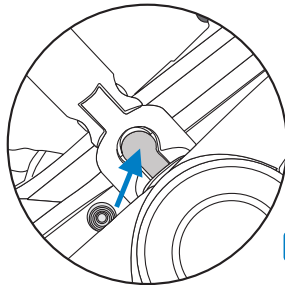
4. Assembly

4.4. BUMPER BAR ASSEMBLY

Align the bumper bars (D) with the frame. Push down onto the bumper bars until you hear a "click".

Give the bumper bars a tug to ensure they are securely in place.

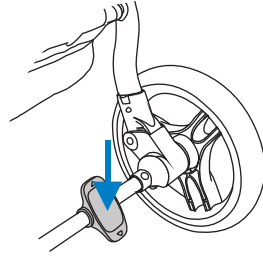
To remove the bumper bars, push in both buttons located on the inner of the bumper bar and remove from frame.



5. In Use

5.1. BRAKES

Press down on the brake pedal to engage the brake. Listen for the "click" signalling that the brake is locked.



Push the brake pedal upwards to disengage the brake.



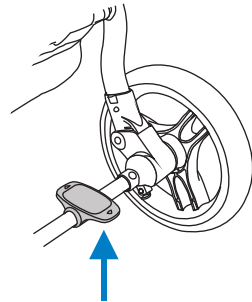
WARNING!

Always apply the parking brake when the pram is not moving.



WARNING!

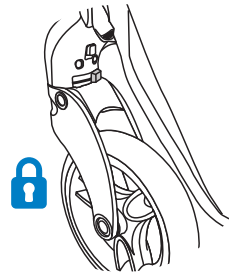
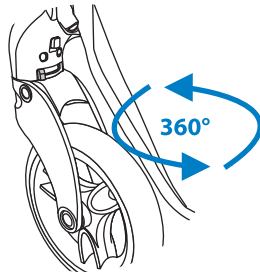
Always apply the brake when you are placing and removing the child.



5.2. SWIVEL WHEELS

When travelling along straight surfaces or uneven terrain, the front wheels may spin.

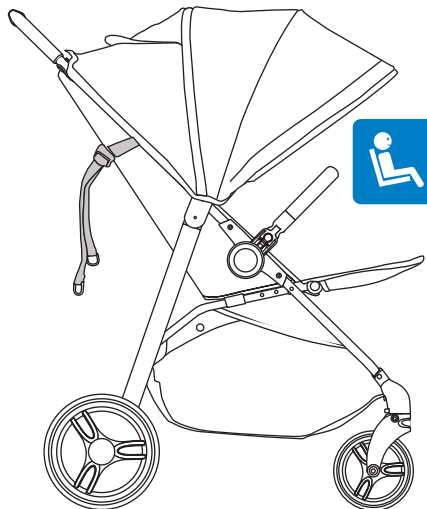
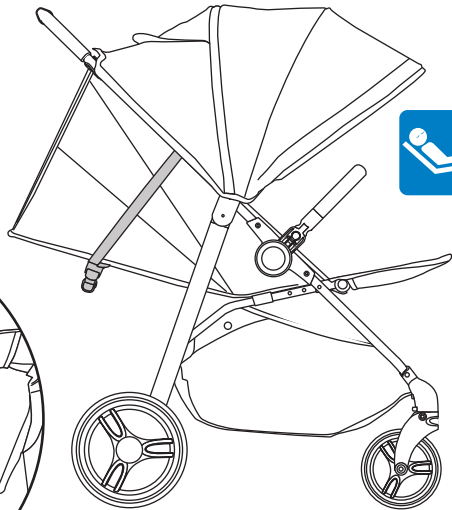
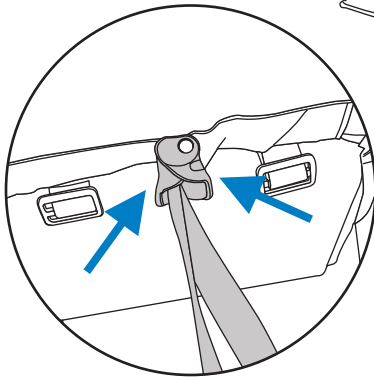
To lock the front swivel wheels into place, move the switch at the back of the wheel socket to the right. To go back to 360° swivel mode, move the switch to the left.



5. In Use

5.3. BACKREST ADJUSTMENT

To lower the seat, squeeze the release latch on the back of the seat and pull it downwards, stopping at your desired position. To raise the seat, hold both straps with one hand and squeeze the release latch while pushing the back of the seat up with your other hand.

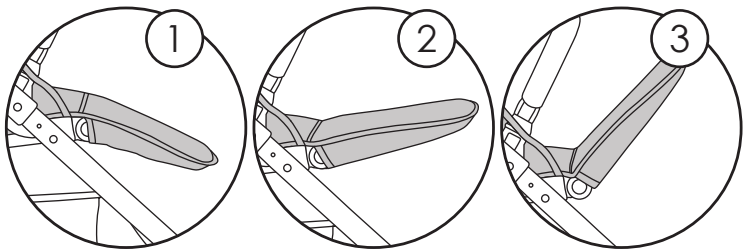
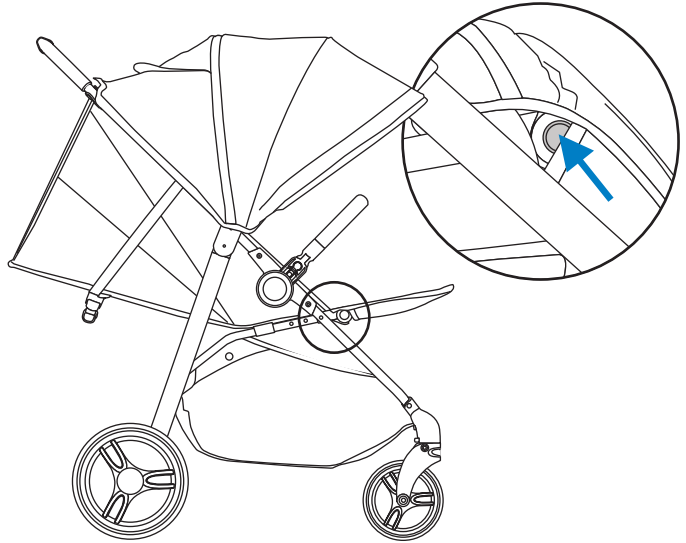


5. In Use

5.4. CALF-REST ADJUSTMENT

To raise the calf rest, lift it until it “clicks” into place.

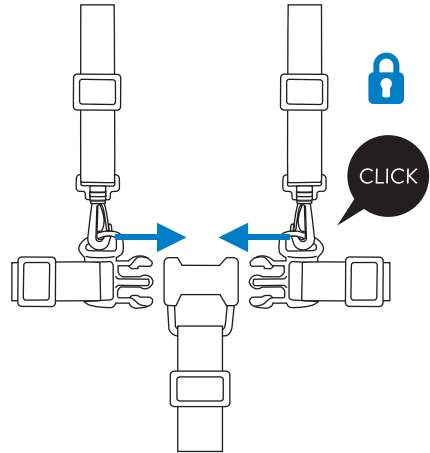
To lower, squeeze the release buttons either side and lower into place. Please take care not to force or use too much pressure on the calf rest, as this may cause damage.



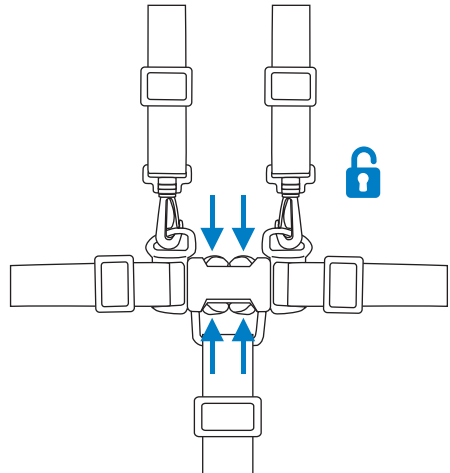
6. Harness

6.1. HARNESS OPERATION

Attach each of the 4 harness straps into the central buckle. Listen for the "click" signalling the harness is secure.



To release, press the buttons in the middle of the buckle



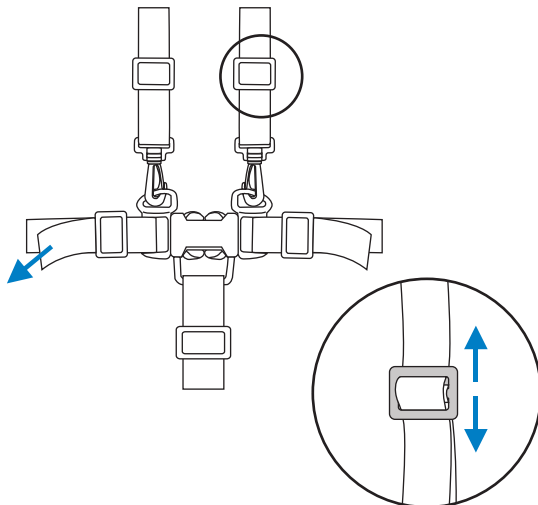
6. Harness

6.2. HARNESS ADJUSTMENT

Adjust the length of each strap to ensure it fits nice and snug.

WARNING!

Always adjust the harness to fit your child correctly for their comfort and safety. A loose fitting harness can be very dangerous.



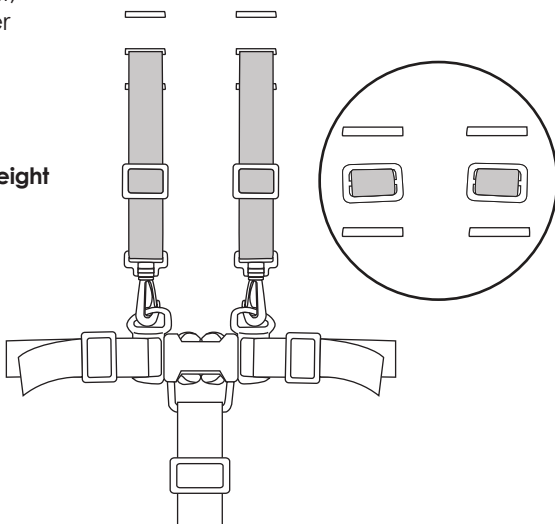
There are 3 shoulder height positions. Depending on your child's height, thread the shoulder strap retainer through the appropriate slot on the seat.

WARNING!

Always adjust the shoulder strap height according to baby height.

WARNING!

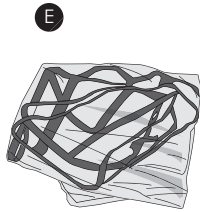
Always ensure both shoulder harness straps are adjusted to the same height before using.



7. Raincover

7.1. RAINCOVER ASSEMBLY

Pull the raincover (E) over the top of the canopy. Attach the long Velcro sides at the back of the stroller and loop the Velcro at the front around the front wheel hubs.



8. Folding

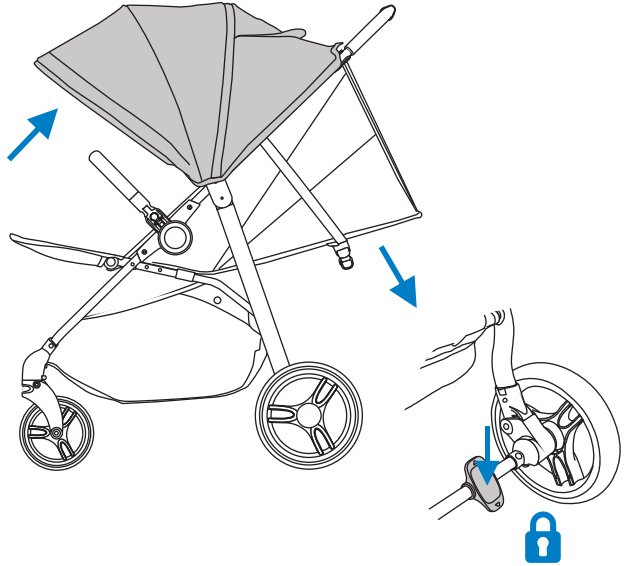
8.1. PREPARING TO FOLD

Ensure the canopy is retracted, the seat backrest is fully reclined to its lowest position, and the brake is engaged.



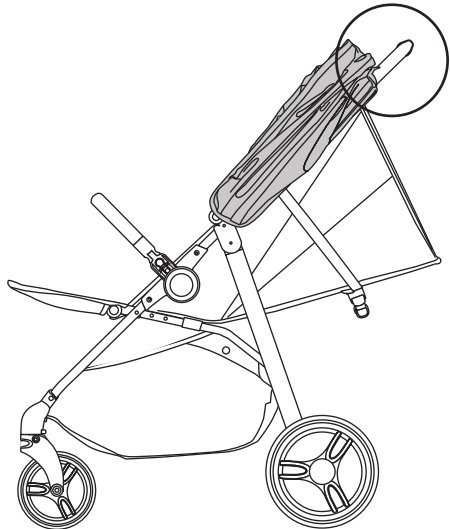
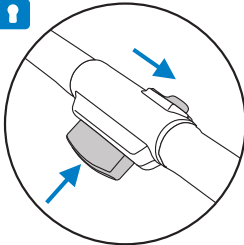
WARNING!

The seat backrest must be reclined to its lowest position before folding. Do not force folding in any other position.



8.2. FOLDING FRAME

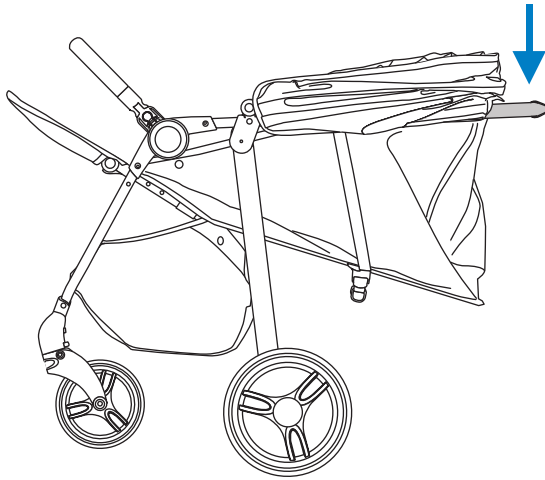
Slide the black button on top of the handlebar to the left and then simultaneously squeeze the larger black button under the handlebar in, to release the frame.



8. Folding

8.3. FOLDING FRAME

Push the handle down to a close.



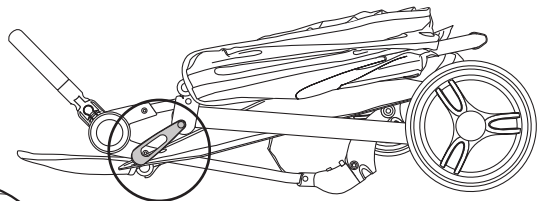
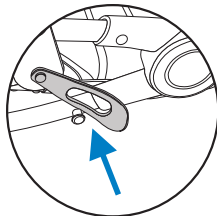
8.4. MANUAL LOCK

Always ensure that the frame lock on the side of the frame has securely engaged to prevent the stroller from opening whilst transporting it.



WARNING!

To avoid injury ensure that your child is kept away when unfolding and folding this product.



9. Care and Maintenance

9.1. CLEANING



- Spot or sponge clean fabrics with mild detergent. Use mild soap or upholstery shampoo. NEVER use bleach. Dry in shade thoroughly before reuse and avoid direct heat and sunlight. Do not iron. Do not dry clean.
- Wipe clean plastics and metals with a damp cloth.
- Never clean any part of the product with abrasive, ammonia based, bleach based or spirit type cleaners.
- Ensure the product is fully dry before use or storage.
- Always ensure the product is stored in a dry place to prevent mold or mildew developing.

9.2. MAINTENANCE

- The product requires regular maintenance to ensure correct and safe performance.
- Regularly inspect the wheels, locks, brakes, harness, catches, seat adjusters, joints and fixings to ensure they are clean, operating correctly and in full working order.
- Replace tyres if they are excessively worn.
- Do not use this product if any part is broken, torn or missing and use only spares provided by the manufacturer.
- If parts become stiff or difficult to operate, ensure dirt is not the cause, then try a light application of a silicon lubricant, ensuring it penetrates between the components. Regular lubrication of moving parts will extend the life of your product and make opening and folding easier.
- After exposure to damp conditions, dry off with a soft cloth and leave fully open in a warm environment. Storing damp will encourage mildew to form.
- Store in a dry place.
- Do not leave in sunlight for prolonged periods as some fabrics may fade.



If you have any questions or concerns regarding this product,
do not hesitate to contact our expert team online
via online4baby.com/contact-us

Feeling social?  
online4baby.com

Imported by Online4baby Ltd,
Meadowbank, Tweedale Way, Oldham, OL9 8EH