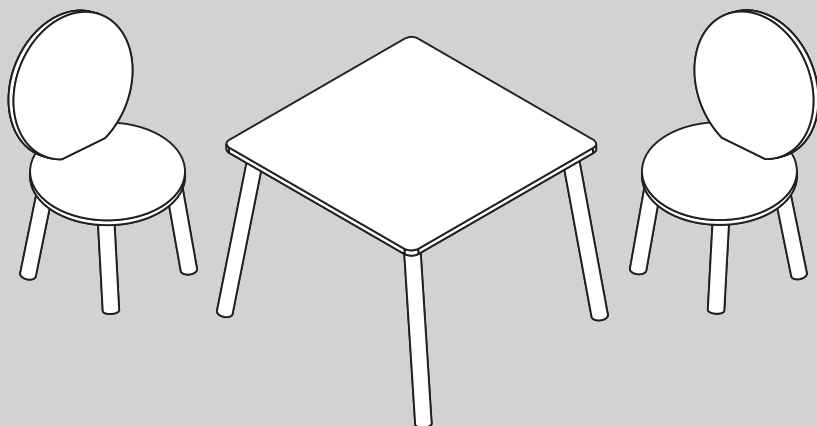


Table and Chairs

Instruction manual



**IMPORTANT - RETAIN FOR FUTURE
REFERENCE, READ CAREFULLY.**

Warning: A child's safety is your responsibility.

1 .Welcome

Thank you for purchasing the Puggle Table and Chairs. Please read the instructions and warnings carefully before use to ensure safe and satisfactory operation of your Puggle Table and Chairs

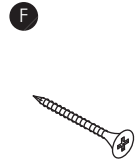
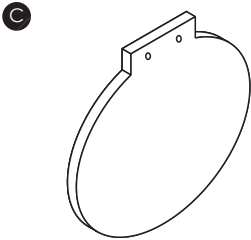
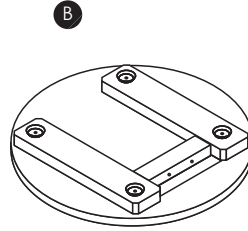
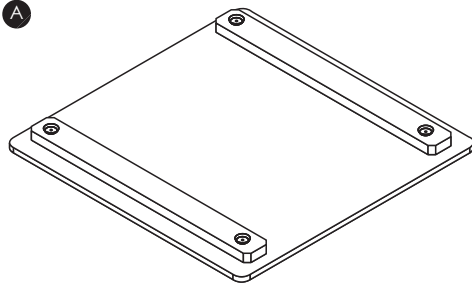
If you have a query with this product or require replacement parts, please contact Online4baby online at online4baby.com/contact-us.

2. Safety instructions

IMPORTANT! PLEASE READ THE FOLLOWING INSTRUCTIONS CAREFULLY BEFORE INSTALLING THE PRODUCT.

- **WARNING!** Keep for future reference. The child may be hurt if you do not follow these instructions.
- **WARNING!** Choking hazard due to small parts.
- **WARNING!** This product is to be assembled by an adult.
- **WARNING!** Do not use this item if any components are missing or damaged.
- **WARNING!** During assembly children should be kept away from the product due to possible risk of injury.
- **WARNING!** Regularly check all fastenings to ensure that they are properly tightened.
- **WARNING!** For children aged 3-6 years.
- **WARNING!** The table can hold a maximum weight of 50kg and the chairs can hold a maximum weight of 30kg.
- **WARNING!** DO NOT Place this product near a window as it can be used as a step by the child and cause the child to fall out of the window.
- **WARNING!** Be aware of the risk of open fires and other sources of strong heat in the vicinity of the product.
- **WARNING!** DO NOT place this product near a window where cords from blinds or curtains could strangle a child.

3. Parts List



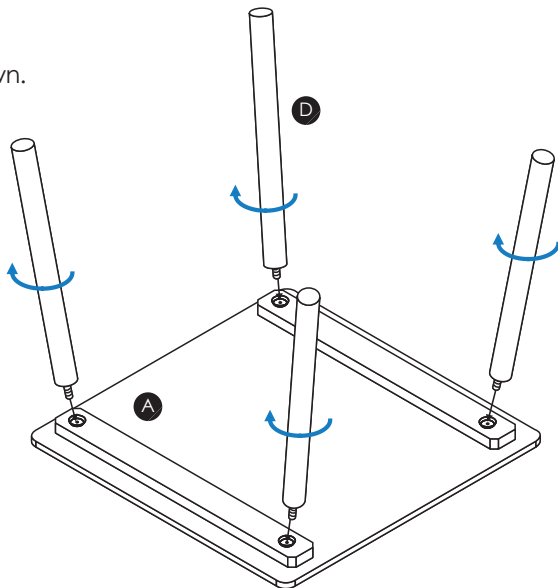
Contained in your carton are:

Nº	Part	Qty
A	Table top	1
B	Chair base	2
C	Chair back	2
D	Table legs	4
E	Chair legs	8
F	Screws	4

4. Assembly

4.1. TABLE ASSEMBLY

Turn the table top (A) upside down.
Screw in the table legs (D) until they feel secure.



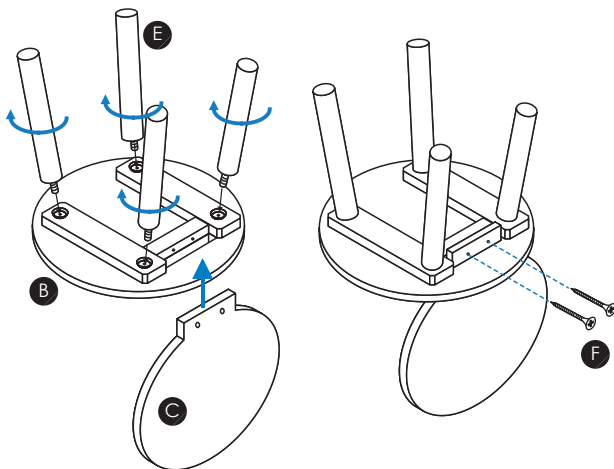
4.2. CHAIR ASSEMBLY

Turn the chair base (B) upside down.
Screw in the chair legs (E) until they feel secure.

Insert the chair back (C) into the allocated slot in the chair base.

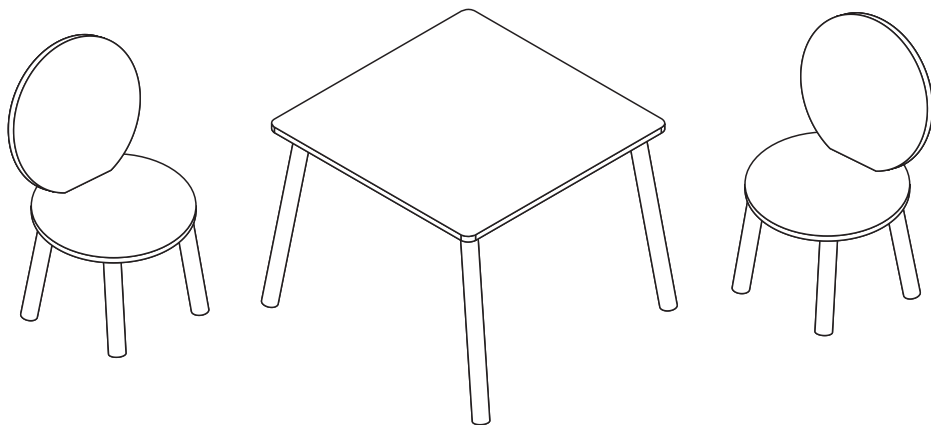
Secure with 2 x screws (F).

Repeat for the second chair.



4. Assembly

4.3. COMPLETED ASSEMBLY



5. Care and Maintenance

5.1. CLEANING



- Wipe clean plastics, metals and wood with a damp cloth.
- Never clean any part of the product with abrasive, ammonia based, bleach based or spirit type cleaners.
- Ensure the product is fully dry before use or storage.
- Always ensure the product is stored in a dry place to prevent mold or mildew developing.

5.2. MAINTENANCE

- The product requires regular maintenance to ensure correct and safe performance.
- Regularly inspect the joints and fixings to ensure they are clean, operating correctly and in full working order.
- Do not use this product if any part is broken, torn or missing and use only spares provided by the manufacturer.
- Regularly check that any fixings are not working loose and tighten where applicable.
- Store product in a dry location away from any heat sources, and not in the sun.



If you have any questions or concerns regarding this product,
do not hesitate to contact our expert team online
via [online4baby.com/contact-us](https://www.online4baby.com/contact-us)

Feeling social?  
[online4baby.com](https://www.online4baby.com)

Imported by Online4baby Ltd,
Meadowbank, Tweedale Way, Oldham, OL9 8EH