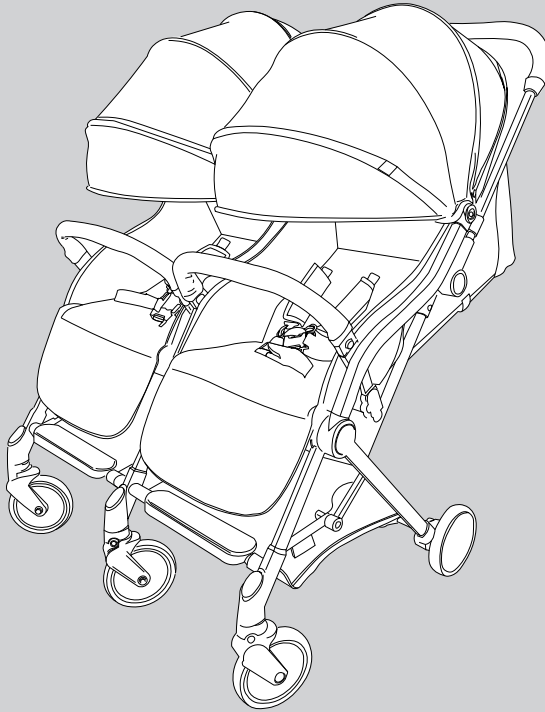


City Traveller Slimline Compact Fold Twin Pushchair

Instruction manual



**IMPORTANT - RETAIN FOR FUTURE
REFERENCE, READ CAREFULLY.**

Warning: A child's safety is your responsibility.

This product is tested and approved to
BS EN 1888-1:2018+A1:2022

1. Welcome

Thank you for purchasing the Puggle City Traveller Slimline Compact Fold Twin Pushchair.

Please read the instructions and warnings carefully before use to ensure safe and satisfactory operation of your Puggle City Traveller Slimline Compact Fold Twin Pushchair.

If you have a query with this product or require replacement parts, please contact Online4baby online at online4baby.com/contact-us.

2. Safety instructions

IMPORTANT! PLEASE READ THE FOLLOWING INSTRUCTIONS CAREFULLY BEFORE INSTALLING THE PRODUCT.

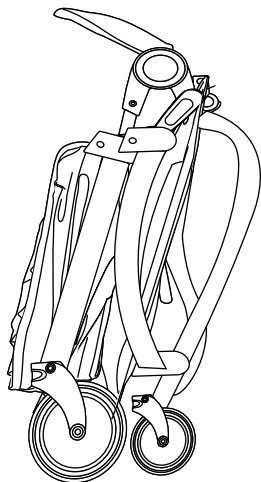
- **WARNING!** Keep for future reference. The child may be hurt if you do not follow these instructions.
- **WARNING!** A child's safety is your responsibility.
- **WARNING!** This pushchair is suitable for children from 0 to 36 months, or up to 15 kg. Used in the most reclined position for newborn babies.
- **WARNING! Never leave the child unattended.**
- **WARNING! Ensure all locking devices are engaged before use.**
- **WARNING! This product is not suitable for running or skating.**
- **WARNING! Always use the restraint system.**
- **WARNING! The seat backrest must be reclined to its lowest position before folding. Do not force folding in any other position.**
- The vehicle shall be used only for up to two children.
- Any load attached to the handle and/or on the back of the backrest and/or on the sides of the vehicle will affect the stability of the vehicle.
- Always apply the parking brake when the product is stationary.
- Ensure the parking brake is engaged during the loading and unloading of the child.
- Take extra care in windy conditions.
- Be careful when going up or down kerbs.
- **WARNING! To avoid injury ensure that your child is kept away when unfolding and folding this product.**
- **WARNING! Do not let your child play with this product.**
- **WARNING!** Always use the crotch strap in combination with the waist belt section of the harness.
- **WARNING! Check that the pram body or seat unit attachment devices are correctly engaged before use.**
- **WARNING!** Do not let the child or other children play or hang on the product.
- **WARNING!** Do not use this product if any part is broken, torn or missing.

2. Safety instructions

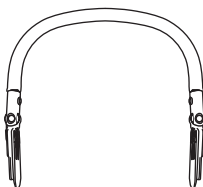
- **WARNING!** Do not place the product near an open fire or other source of strong heat.
- Adult assembly is required.
- To avoid the risk of suffocation, keep all plastic packaging and materials out of reach from children.
- Bags and other items should not be hung from the handles as this can affect the stability of the product.
- Do not use parts or accessories which are not approved by the manufacturer.
- Do not allow your child to climb unassisted into the product.
- Remove your child and fold the product when going up or down escalators and stairs.
- If this product is used by someone unfamiliar with it e.g. grandparents, always show them how it works.
- A basket is provided for the carriage of 2kg of items evenly distributed.
- Overloading, incorrect folding and the use of non-approved accessories is unsafe and may damage or break this product.
- Never leave the raincover or hood on indoors, in a hot atmosphere or near a heat source as your child may overheat.
- To prevent damage, remove the raincover before folding the pushchair.
- Do not place anything on top of the raincover.

3. Parts List

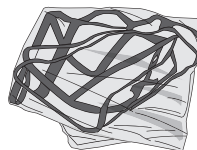
A



B



C



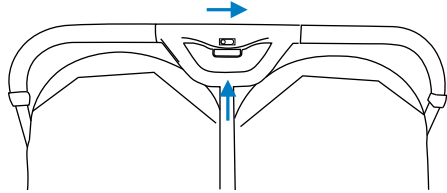
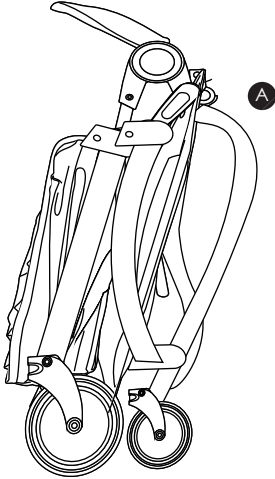
Contained in your carton are:

N°	Part	Qty
A	Pushchair	1
B	Bumper bar	2
C	Raincover	1

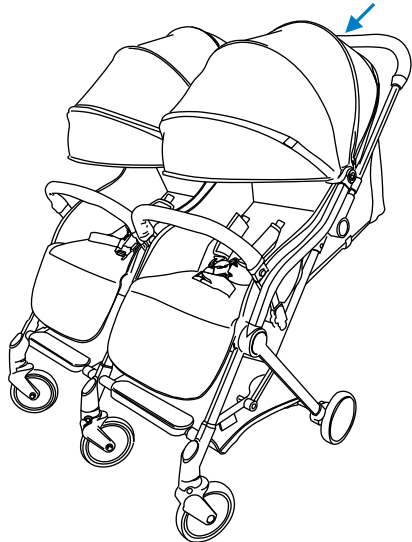
4. Assembly

4.1. OPENING THE STROLLER

Remove the stroller (A) from its packaging and place the frame on the ground with the rear wheel down.



Grasp the handle with your right hand and move the second locking button with your thumb to the right. At the same time, push the lock button up with another finger, lift the handle to open the frame.



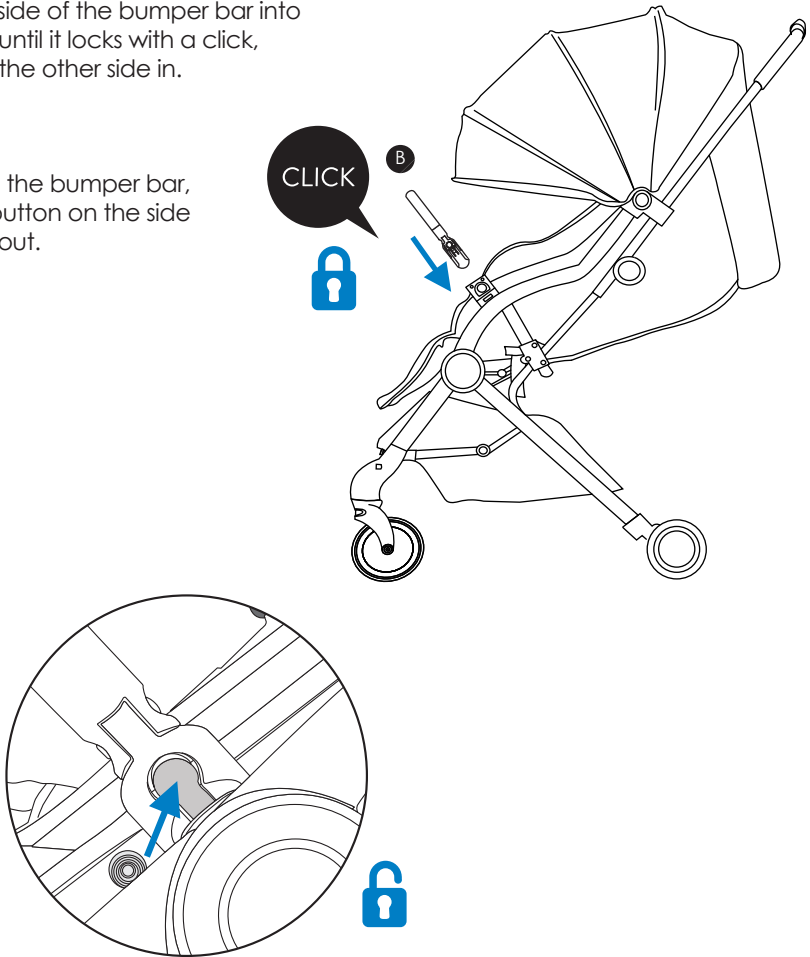
4. Assembly

4.2. BUMPER BAR ASSEMBLY

Fit the bumper bars (B) yourself after opening the stroller.

Insert one side of the bumper bar into the frame until it locks with a click, then push the other side in.

To remove the bumper bar, press the button on the side and pull it out.

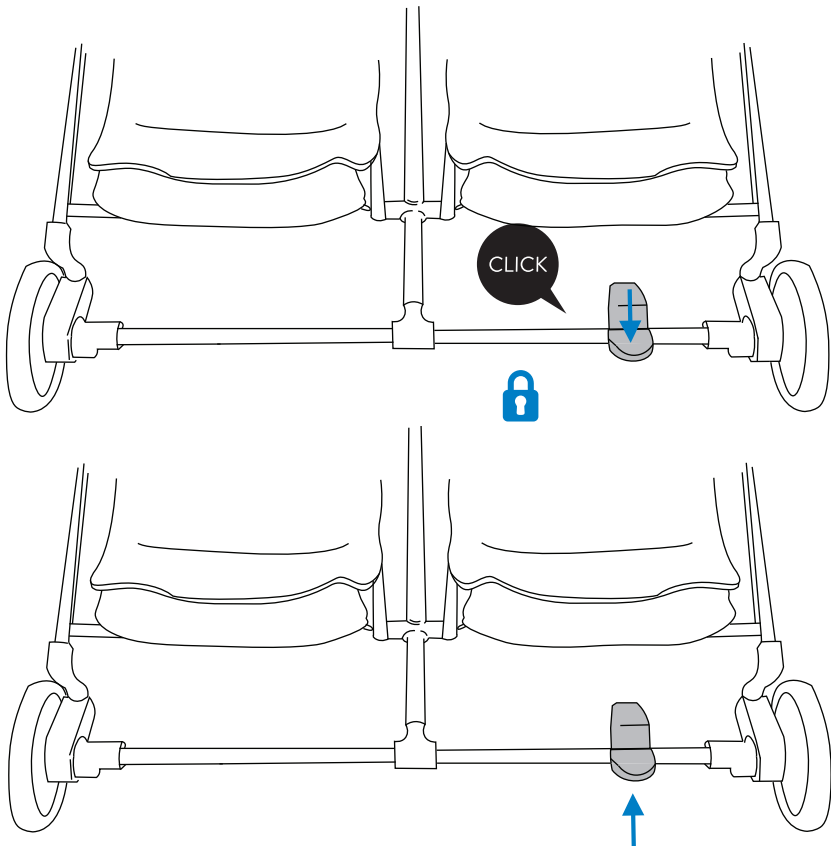


5. In Use

5.1. USING THE BRAKE

Press the brake pedal with your toes, the brake locks when you hear the "click".

To release the brake, push the brake pedal forward in the direction indicated by the arrow.



WARNING!

Always engage brakes when the stroller is not moving.



WARNING!

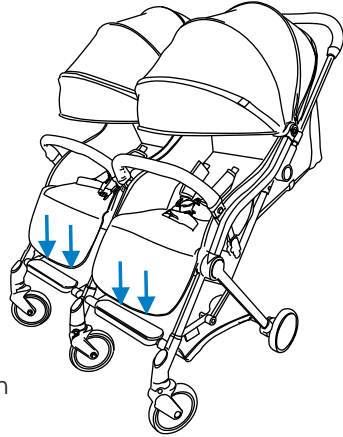
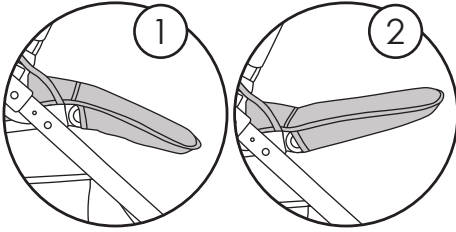
Always apply the brake when you are placing and removing the child.

5. In Use

5.2. ADJUSTING THE FOOTREST

Lift the footrest up and when you hear the click, the footrest will extend.

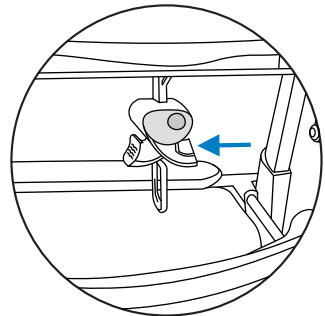
To retract the footrest, pull the footrest down with both hands and press firmly.



To release the footrest, press the tabs underneath and press the footrest down.

5.3. ADJUSTING THE BACKREST

Hold the adjustable backrest strap with one hand, and with the other hand push the butterfly clip in at the sides. Slide the butterfly clip up or down to the desired position. Release to secure into place.



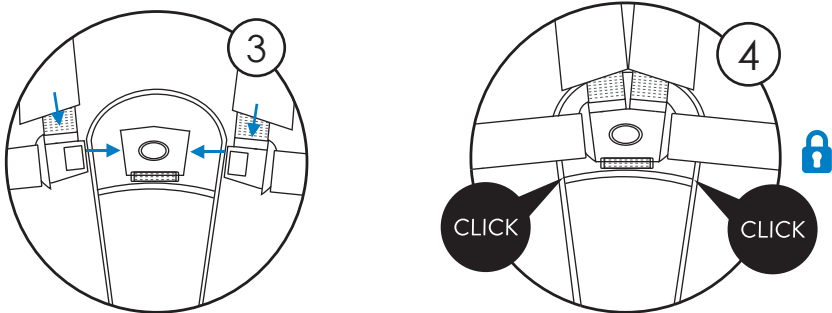
6. Harness

6.1. HARNESS OPERATION

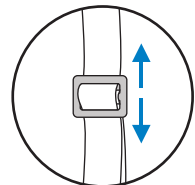
First press the safety button to release the waist and shoulder belts. Tighten the shoulder strap and waist belt position to separate the shoulder strap from the belt.



Put your baby in the middle of the seat and place the left and right shoulder and waist straps over your baby. Attach the shoulder straps to the waist belt, then insert the waist belt ends into the safety buckle. Listen for the "click" signalling the harness is secure.



Adjust the length of each strap to ensure it fits nice and snug.



WARNING!

Always adjust the harness to fit your child correctly for their comfort and safety. A loose fitting harness can be very dangerous.



WARNING!

Always adjust the shoulder strap height according to baby height. Always ensure both shoulder harness straps are adjusted to the same height before using.

7. Raincover

7.1. RAINCOVER ASSEMBLY

Pull the raincover (C) over the top of the canopy. Attach the long Velcro sides at the back of the stroller and loop the Velcro at the front around the front wheel hubs.



8. Folding

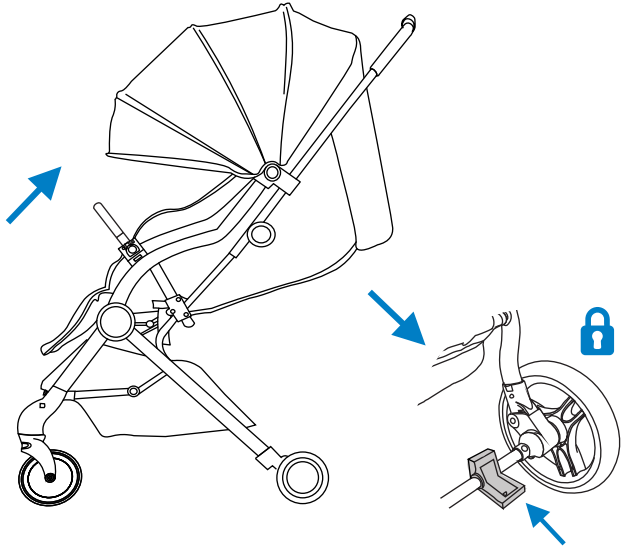
8.1. PREPARING TO FOLD

Ensure the canopy is retracted, the seat backrest is fully reclined to its lowest position, and the brake is engaged.



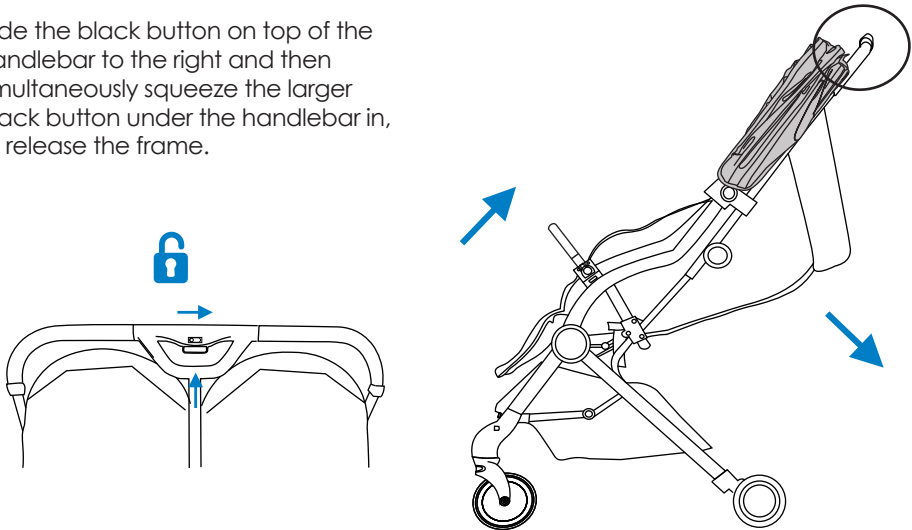
WARNING!

The seat backrest must be reclined to its lowest position before folding. Do not force folding in any other position.



8.2. FOLDING THE FRAME

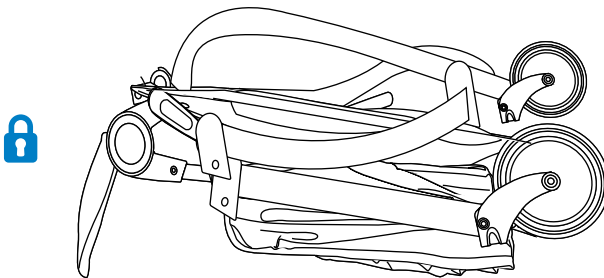
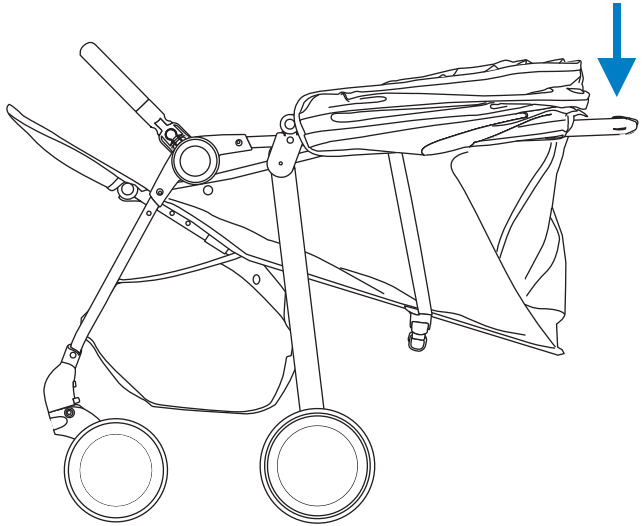
Slide the black button on top of the handlebar to the right and then simultaneously squeeze the larger black button under the handlebar in, to release the frame.



8. Folding

8.3. FOLDING FRAME

Push the handle down to a close.



9. Care and Maintenance

9.1. CLEANING



- Spot or sponge clean fabrics with mild detergent. Use mild soap or upholstery shampoo. NEVER use bleach. Dry in shade thoroughly before reuse and avoid direct heat and sunlight. Do not iron. Do not dry clean.
- Wipe clean plastics and metals with a damp cloth.
- Never clean any part of the product with abrasive, ammonia based, bleach based or spirit type cleaners.
- Ensure the product is fully dry before use or storage.
- Always ensure the product is stored in a dry place to prevent mold or mildew developing.

9.2. MAINTENANCE

- The product requires regular maintenance to ensure correct and safe performance.
- Regularly inspect the wheels, locks, brakes, harness, catches, seat adjusters, joints and fixings to ensure they are clean, operating correctly and in full working order.
- Replace tyres if they are excessively worn.
- Do not use this product if any part is broken, torn or missing and use only spares provided by the manufacturer.
- If parts become stiff or difficult to operate, ensure dirt is not the cause, then try a light application of a silicon lubricant, ensuring it penetrates between the components. Regular lubrication of moving parts will extend the life of your product and make opening and folding easier.
- After exposure to damp conditions, dry off with a soft cloth and leave fully open in a warm environment. Storing damp will encourage mildew to form.
- Store in a dry place.
- Do not leave in sunlight for prolonged periods as some fabrics may fade.



If you have any questions or concerns regarding this product,
do not hesitate to contact our expert team online
via online4baby.com/contact-us

Feeling social?  
online4baby.com

Imported by Online4baby Ltd,
Meadowbank, Tweedale Way, Oldham, OL9 8EH