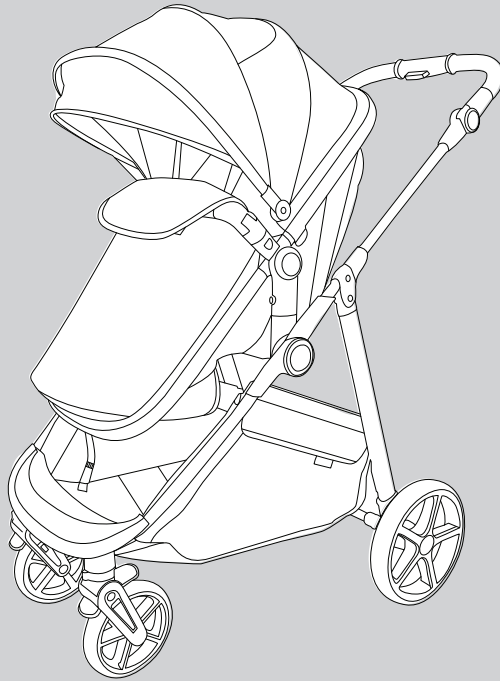


Monaco XT 2-in-1 Pushchair

Instruction Manual



**IMPORTANT - RETAIN FOR FUTURE
REFERENCE, READ CAREFULLY.**

Warning: A child's safety is your responsibility.

This product is tested and approved to
BS EN 1888-1:2018+A1:2022

1. Welcome

Thank you for purchasing the Puggle Monaco XT 2-in-1 Pushchair.

Please read the instructions and warnings carefully before use to ensure safe and satisfactory operation of your Puggle Monaco XT 2-in-1 Pushchair.

If you have a query with this product or require replacement parts, please contact Online4baby online at online4baby.com/contact-us.

2. Safety instructions

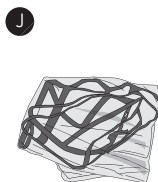
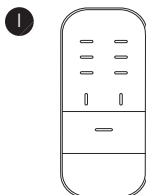
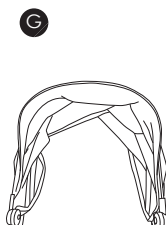
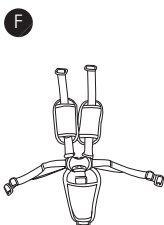
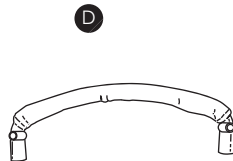
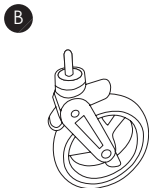
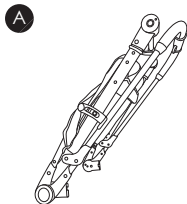
IMPORTANT! PLEASE READ THE FOLLOWING INSTRUCTIONS CAREFULLY BEFORE INSTALLING THE PRODUCT.

- **WARNING!** Keep for future reference. The child may be hurt if you do not follow these instructions.
- **WARNING!** A child's safety is your responsibility.
- **WARNING!** This product is suitable for one child from birth (max. weight 15kg).
- **WARNING!** Suitable from birth in pram mode up to a maximum weight of 9kg or until the child can sit up unaided, roll over or push itself up on its hands and knees.
- **WARNING!** Not suitable for children under 6 months in pushchair mode.
- **WARNING!** Follow suitability recommendations given in the separate infant car seat instruction manual.
- **WARNING!** Never leave the child unattended.
- **WARNING!** Ensure all locking devices are engaged before use.
- Always apply the parking brake when the product is stationary.
- Ensure the parking brake is engaged during the loading and unloading of the child.
- Take extra care in windy conditions.
- Be careful when going up or down kerbs.
- **WARNING!** To avoid injury ensure that your child is kept away when unfolding and folding this product.
- **WARNING!** Do not let your child play with this product.
- **WARNING!** ALWAYS USE THE HARNESS AS SOON AS YOUR CHILD CAN SIT UNAIDED.
- **WARNING!** Always use the crotch strap in combination with the waist belt section of the harness.
- **WARNING!** Check that the pram body or seat unit attachment devices are correctly engaged before use.
- **WARNING!** This product is not suitable for running or skating.
- **WARNING!** Do not let other children play or hang on the product.
- **WARNING!** Do not use this product if any part is broken, torn or missing.
- **WARNING!** Do not add an additional mattress to the seat unit when in pram mode.
- **WARNING!** Do not place the product near an open fire or other source of strong heat.
- Adult assembly is required.

2. Safety instructions

- Bags and other items should not be hung from the handles as this can affect the stability of the product.
- Do not use parts or accessories which are not approved by the manufacturer.
- Do not allow your child to climb unassisted into the product.
- Remove your child and fold the product when going up or down escalators and flights of stairs.
- Ensure the basket is emptied and any footmuffs or other accessories are removed prior to folding.
- If this product is used by someone unfamiliar with it e.g. grandparents, always show them how it works.
- A basket is provided for the carriage of 2kg of items evenly distributed.
- Overloading, incorrect folding and the use of non-approved accessories is unsafe and may damage or break this product.
- Never leave the raincover, hood or apron on indoors, in a hot atmosphere or near a heat source as your child may overheat.
- To prevent damage, remove the raincover before folding the pushchair.
- Do not place anything on top of the raincover.
- This product conforms to BS EN 1888-1:2018+A1:2022

3. Parts List



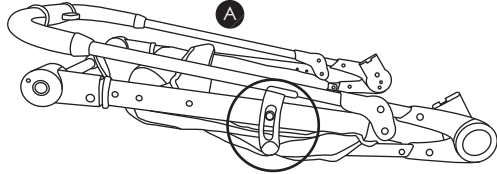
Contained in your carton are:

N°	Part	Qty
A	Chassis	1
B	Front wheels	2
C	Rear wheels	2
D	Bumper bar	1
E	Seat unit	1
F	Harness	1
G	Canopy	1
H	Apron	1
I	Seat liner	1
J	Raincover	1
K	Car seat adaptors (set)	1

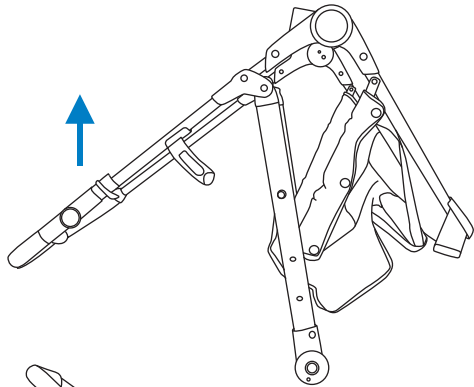
4. Assembly

4.1. CHASSIS ASSEMBLY

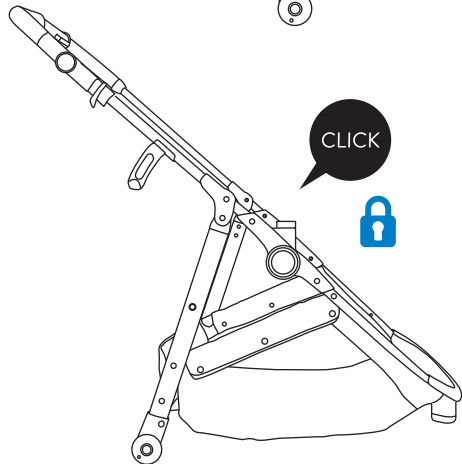
To release the chassis (A) from the locked folded position, lift the folding latch on the side of the frame.



Lift the handle to open the chassis.



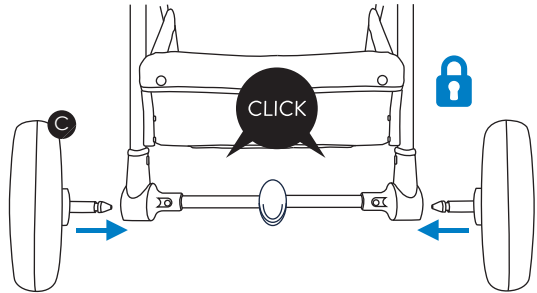
When the chassis is completely open, you will hear a “click” indicating it is locked into place.



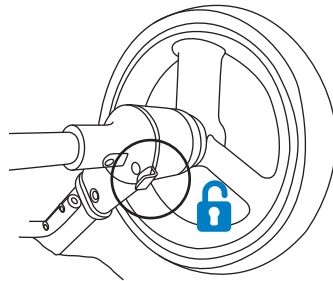
4. Assembly

4.2. REAR WHEEL ASSEMBLY

Push each rear wheel (C) into the sides of the rear wheel axle until you hear a "click".
Give them a tug to ensure they are attached securely.

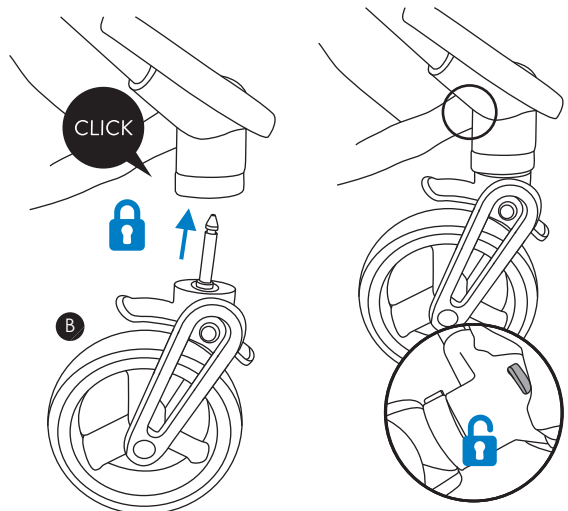


To remove the rear wheels, simply pull out the metal latch located underneath the rear wheel axle and pull the wheel out.



4.3. FRONT WHEEL ASSEMBLY

Insert each of the front wheel (B) pins into the center of the socket until you hear a "click".
Give each wheel a firm tug to ensure they're securely attached.



To remove the front wheels, simply press the button at the back of the wheel socket and pull down.

5. Pram Mode

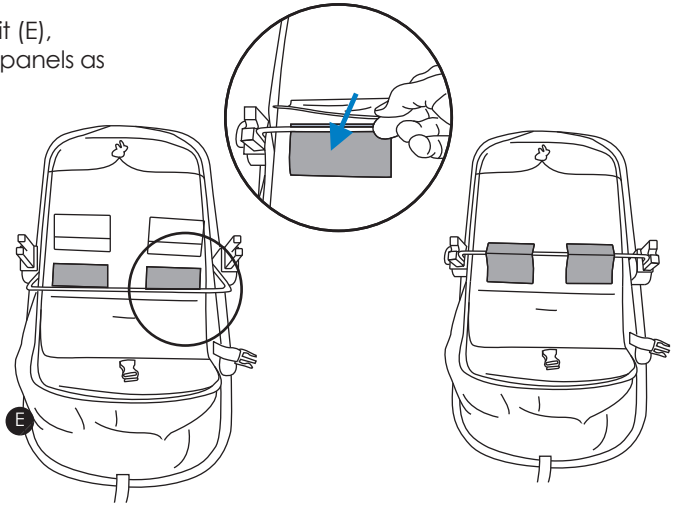
5.1. SEAT UNIT ASSEMBLY

On the rear of the seat unit (E), fasten the hook and loop panels as illustrated.



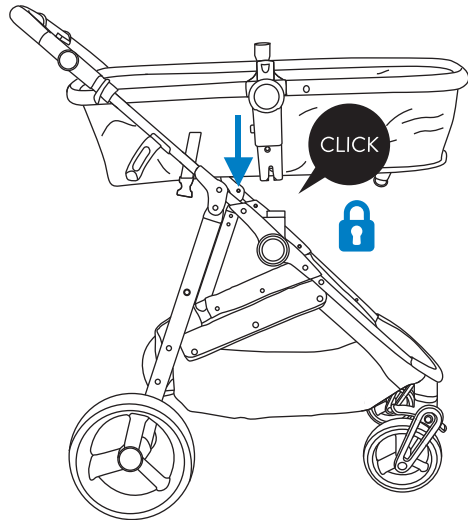
WARNING!

The fabric must cover the metal bracket.



5.2.1. ATTACHING SEAT UNIT TO CHASSIS

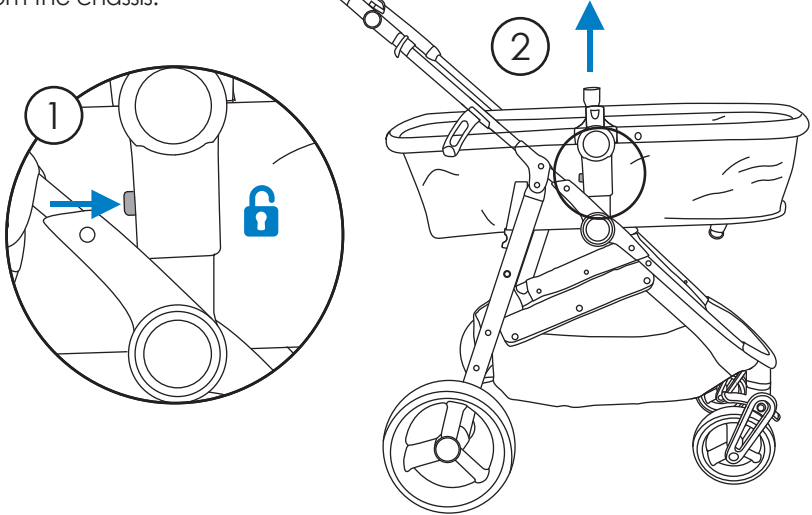
Attach the seat unit to the chassis. Line up the seat connectors with the chassis housing and press downwards. Listen for a “click” to signal correct assembly.



5. Pram Mode

5.2.2. DETACHING SEAT UNIT FROM CHASSIS

Push the button located both sides of the seat connectors to remove the seat unit from the chassis.

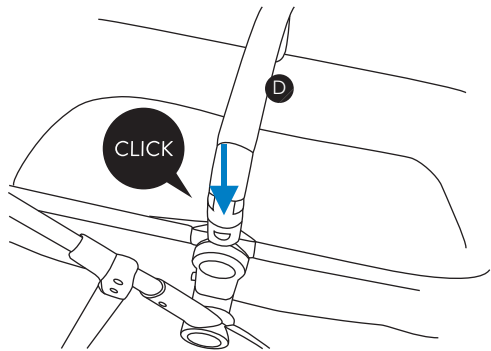


5.3. BUMPER BAR ASSEMBLY

Insert the bumper bar (D) into the seat unit slots ensuring that the release buttons are on the outside and you hear a "click".

Give the bumper bar a tug to ensure it's securely in place.

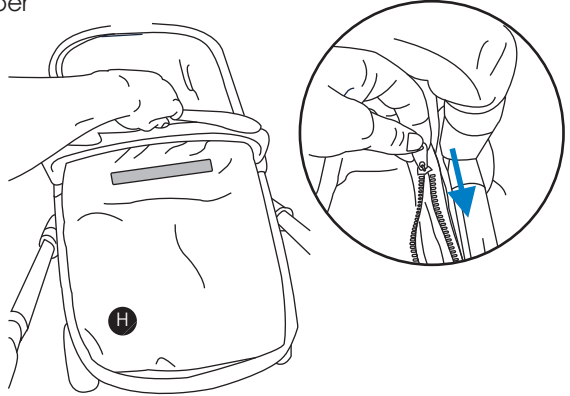
To remove the bumper bar, simply press the release buttons on either or both sides and lift up.



5. Pram Mode

5.4. APRON ASSEMBLY

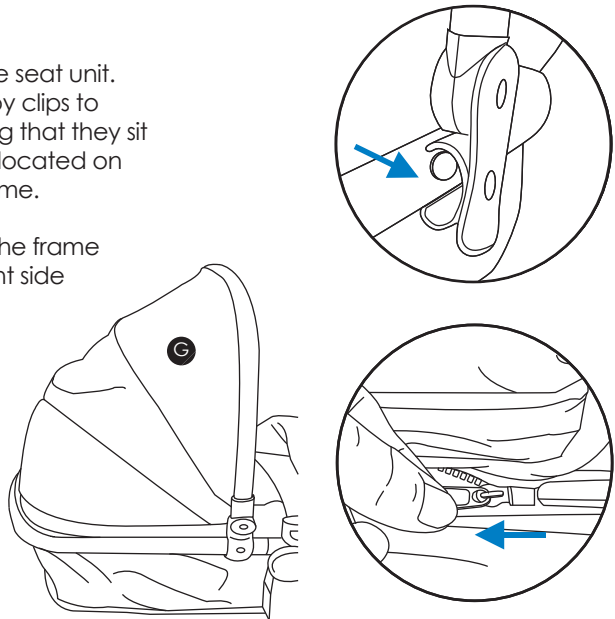
Fasten the apron (H), secure the zip around the side and attach the hook and loop fasteners over the bumper bar.



5.5. CANOPY ASSEMBLY

Attach the canopy (G) to the seat unit. First attach the plastic canopy clips to their respective sides, ensuring that they sit over the small plastic guides located on each side of the seat unit frame.

Next, secure the canopy to the frame with the zip. Start with the right side (when facing the seat).



5. Pram Mode

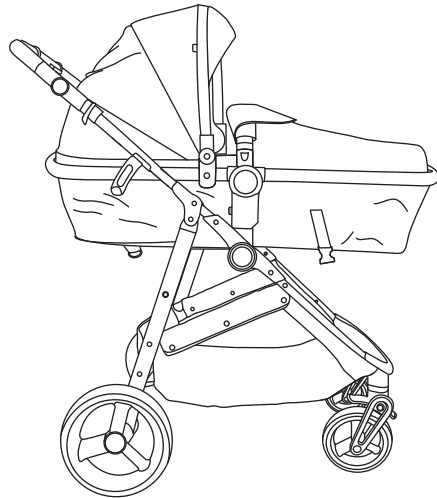
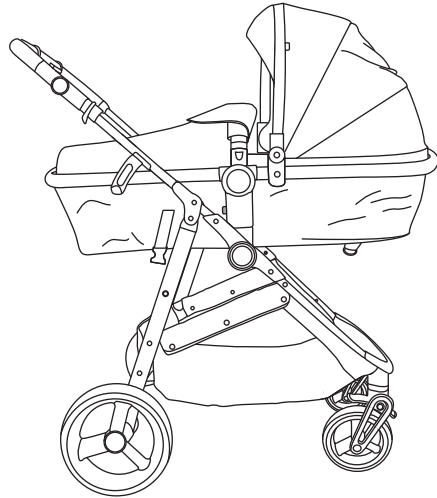
5.6. USING PRAM MODE

Suitable from birth in bassinet mode up to a maximum weight of 9kg or until the child can sit up unaided, roll over or push itself up on its hands and knees.



WARNING!

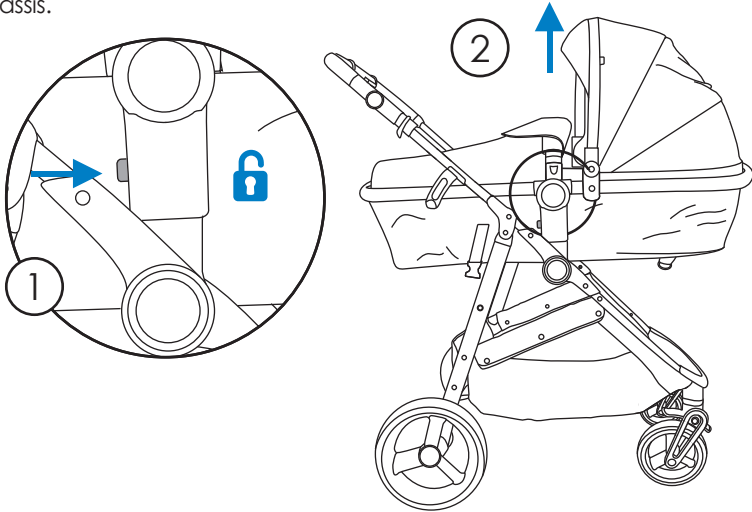
Never use in pram mode with seat unit forward facing.



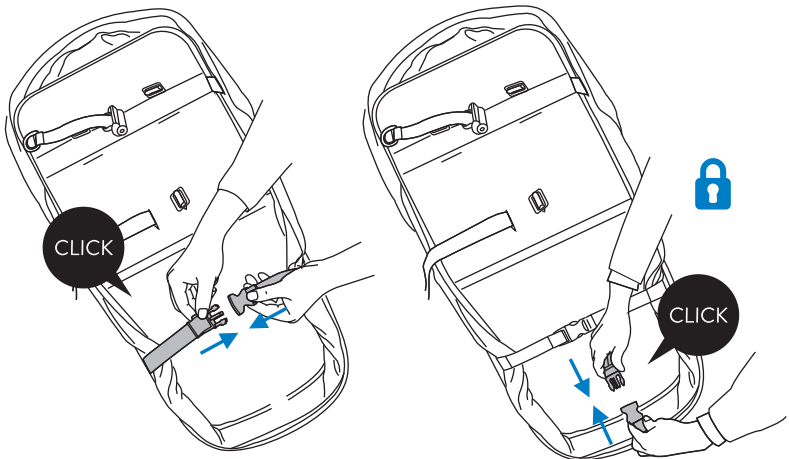
6. Pushchair Mode

6.1. CONVERTING THE SEAT UNIT

Press buttons both sides of the seat connectors to remove the seat unit from the chassis.



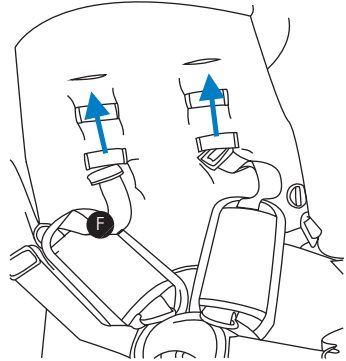
Fasten the webbing belts located on the rear side of the seat unit footrest. Listen for the "click" to signal buckles are secure.



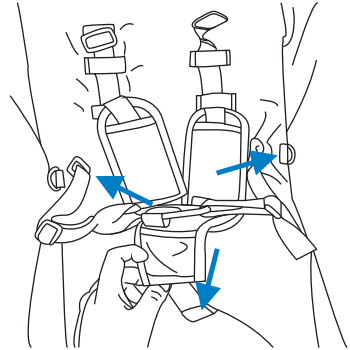
6. Pushchair Mode

6.2. HARNESS ASSEMBLY

Attach the harness (F) to the seat unit. Thread the shoulder strap retainers under the webbing holders and out through the horizontal slots in the seat unit backrest.



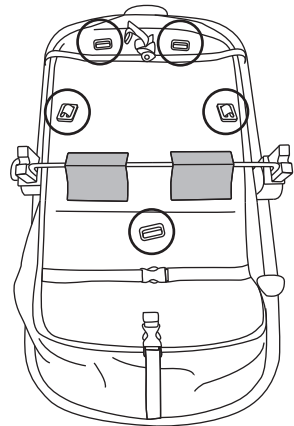
Thread the waist strap retainers through the vertical slots in the seat unit backrest and thread the crotch strap retainer through the horizontal slot at the centre of the seat unit.



WARNING!

Ensure the strap retainers are fully through and secure at the rear of the seat unit.

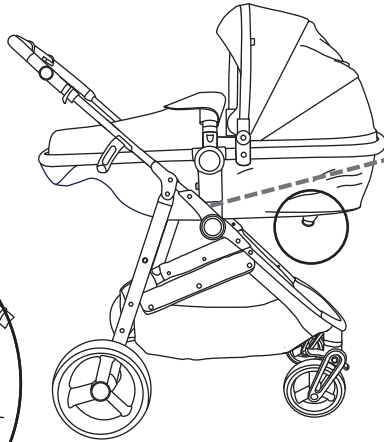
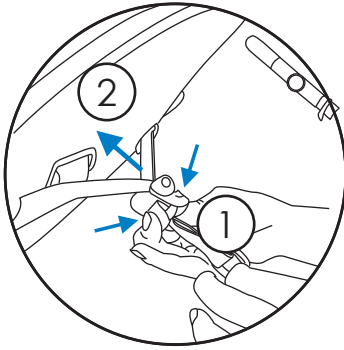
To remove reverse the above process.



6. Pushchair Mode

6.3. BACKREST ADJUSTMENT

Re-attach the seat unit to the chassis. Locate the backrest adjustment mechanism at the rear of the seat unit. Squeeze the clip on the reclining harness and gently pull up the backrest.

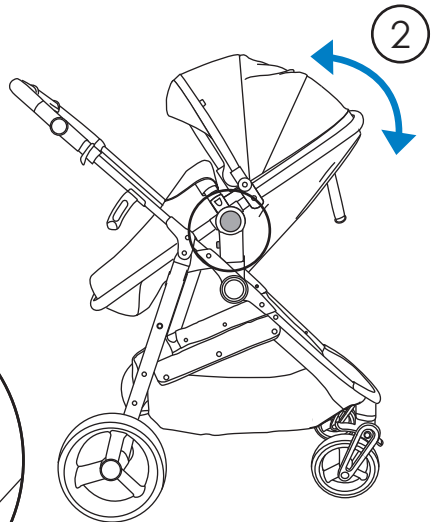
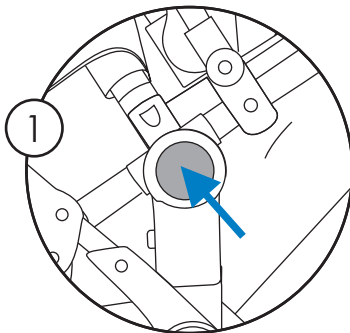


Press buttons both sides of the seat connectors to adjust the seat unit recline. Ensure you hear a "click" as the seat engages at your desired position.



WARNING!

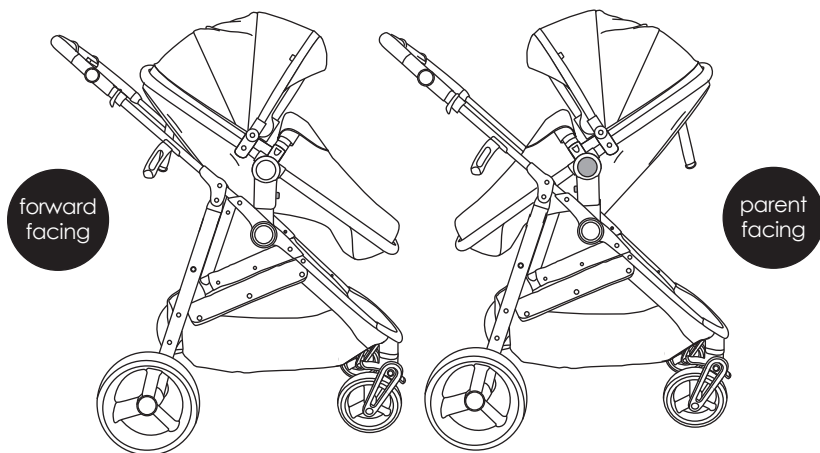
The seat unit is not suitable in pushchair mode for children under 6 months.



6. Pushchair Mode

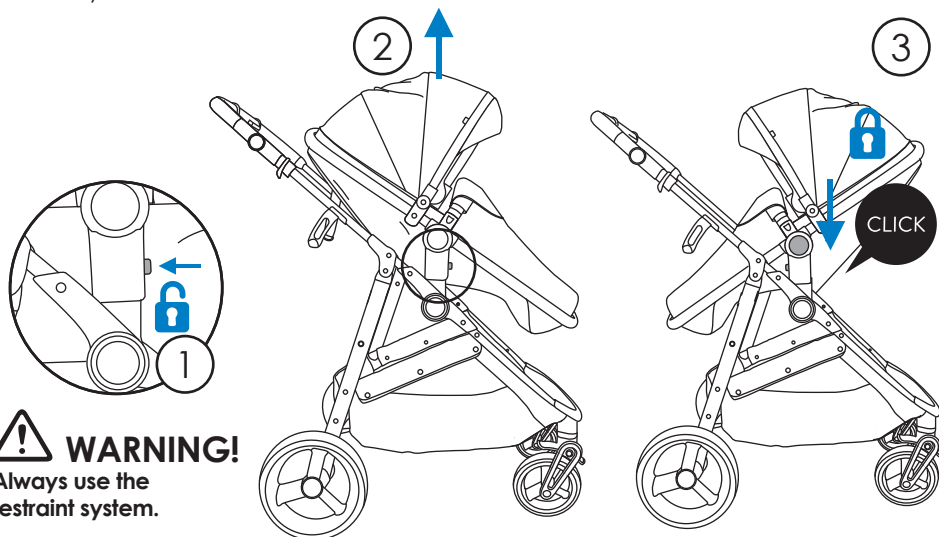
6.4. REVERSIBLE SEAT UNIT

The seat unit is reversible in stroller mode. It can be forward or parent facing



Press the buttons both sides of the seat connectors to remove the seat unit from the chassis.

To re-attach the seat unit to the chassis, line up the seat connectors with the chassis housing and press downwards. Listen for a "click" to signal correct assembly.

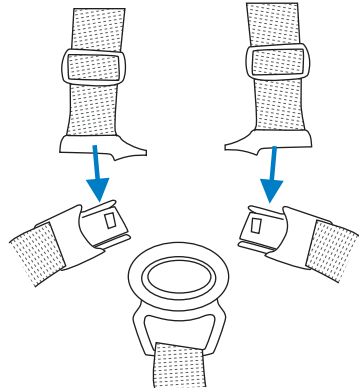


⚠ WARNING!
Always use the restraint system.

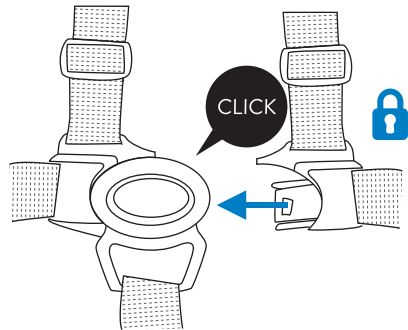
7. In Use

7.1. HARNESS OPERATION

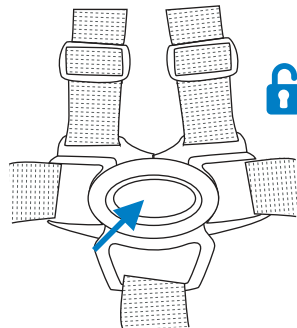
Slide the shoulder strap buckle onto the housing of the waist strap buckle.
Repeat for the opposite side.



Insert the completed buckle into the buckle housing until it engages securely in place. Listen for the "click".
Repeat for the opposite side.



Press the centre button to release child from harness.



7. In Use

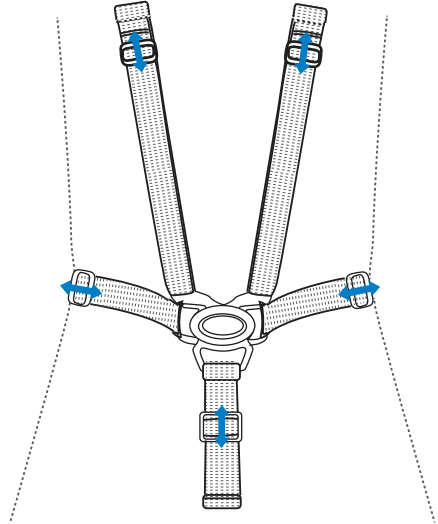
7.2. HARNESS ADJUSTMENT

To adjust the shoulder straps, move the slides as shown.



WARNING!

Always adjust the harness to fit your child correctly for their comfort and safety. A loose fitting harness can be very dangerous.

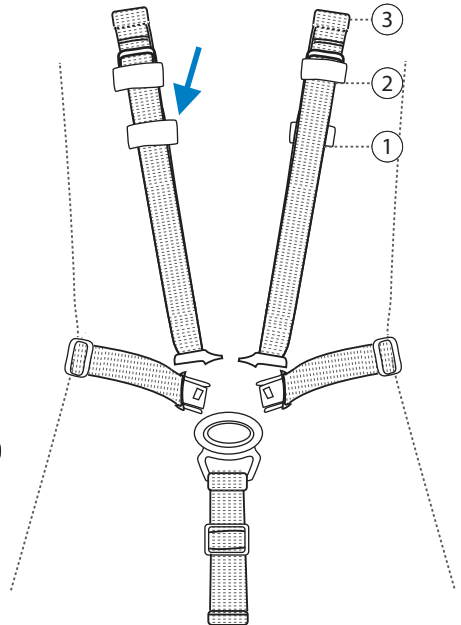
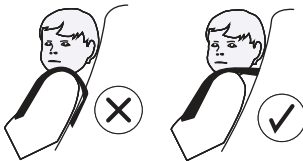


There are 3 shoulder height positions. Undo the harness and remove the shoulder pads to adjust the shoulder height.



WARNING!

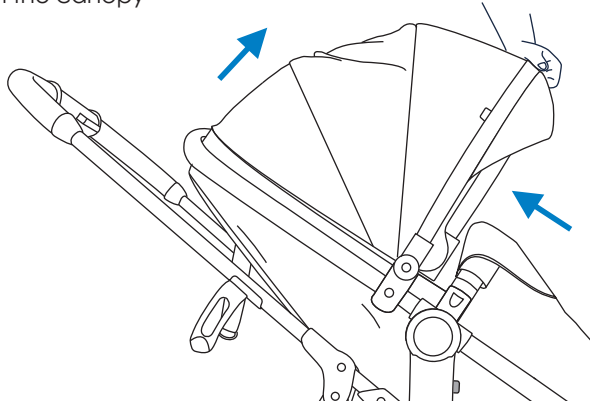
Always adjust the shoulder strap height according to baby height.



7. In Use

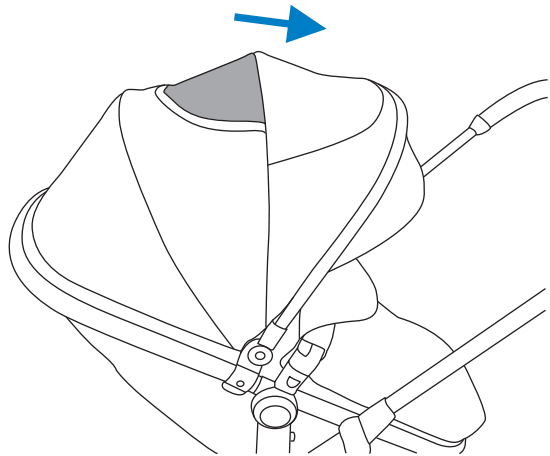
7.3.1. THE CANOPY

The canopy can be opened or closed by pulling forward or backward on the canopy rim.



7.3.2. THE CANOPY

The canopy features a window to keep an eye on baby in forward facing position.
Lift the flap to reveal the window.

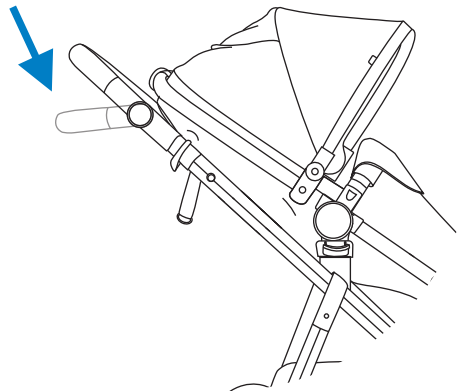
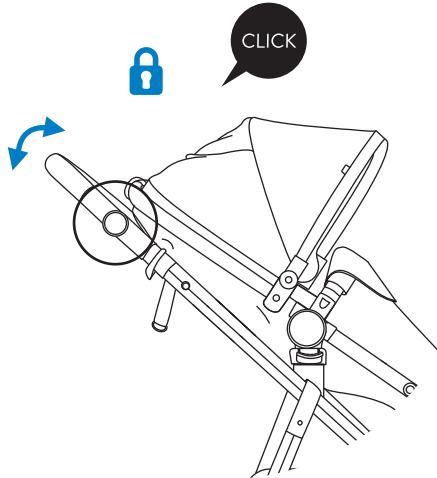
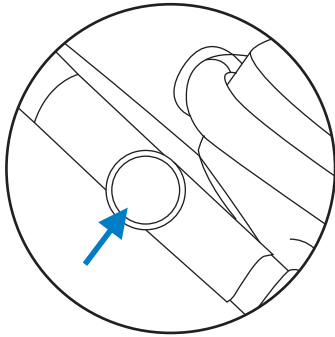


7. In Use

7.4. HANDLE ADJUSTMENT

Push and hold the handle height adjustment buttons.
At the same time adjust the handle up or down.

Release buttons at your
desired position. Listen for the
'click' to ensure the handle
is secure.



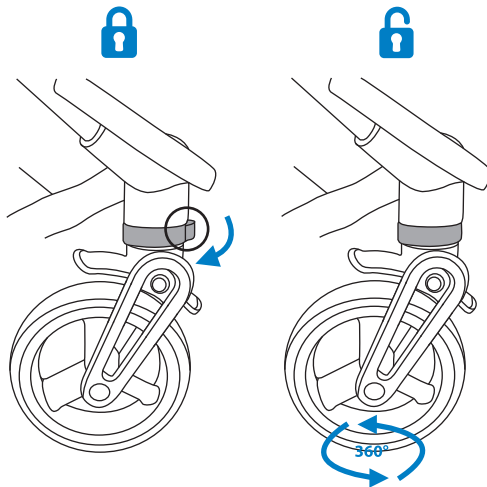
7. In Use

7.5. SWIVEL WHEELS

When travelling along straight surfaces or uneven terrain, the front wheels may spin.

To lock the front swivel wheels into place, twist the top of the wheel socket so the notch is towards the front.

To go back to 360° swivel mode, twist top of the wheel socket so the notch is towards the back.



7.6. BRAKES

Press down on the brake pedal to engage the brake.

Listen for the "click" signalling that the brake is locked.

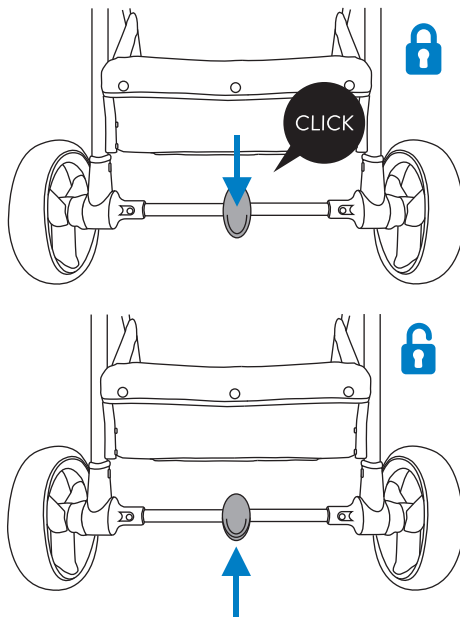
Push the brake pedal upwards to disengage the brake.

 **WARNING!**

Always apply the parking brake when the pram is not moving.

 **WARNING!**

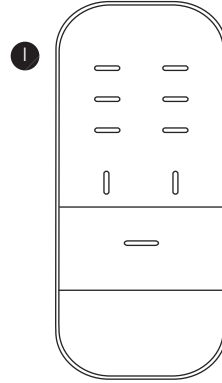
Always apply the brake when you are placing and removing the child.



7. In Use

7.7.1. SEAT LINER

There is a seat liner (I) included for the seat unit.
Undo the harness and remove the chest pads and crotch pad.



7.7.2. SEAT LINER

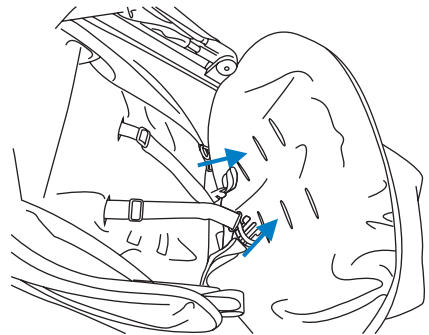
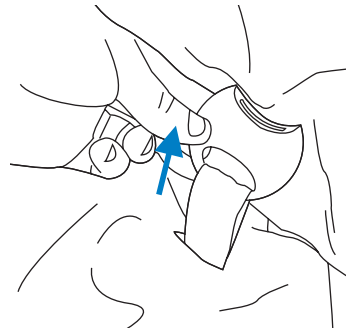
Thread the harness through the slots in the seat liner allocated for the waist, shoulder and crotch straps.



WARNING!

Ensure to thread the shoulder harness through the corresponding slot height of the seat unit.

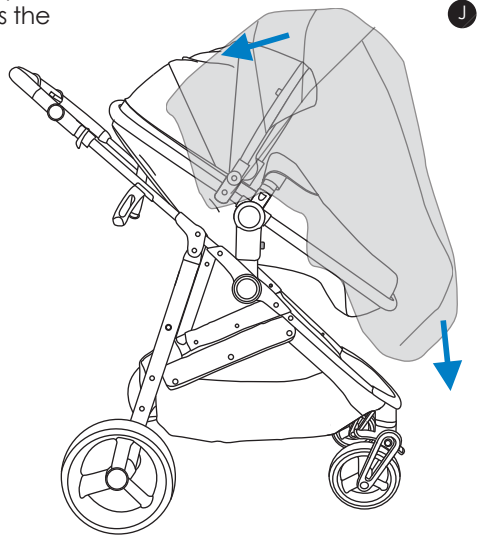
Re-attach the chest pads and the crotch pad. Repeat the process to remove the seat liner.



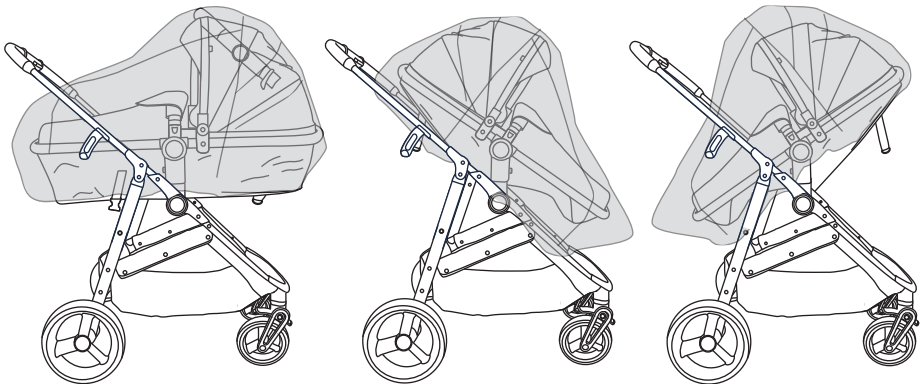
7. In Use

7.8. RAINCOVER

Locate the raincover (J). Pull the raincover down over the stroller starting at the top of the canopy and pulling down towards the footrest.



NOTE. The raincover will fit the seat unit in both pram and pushchair mode.

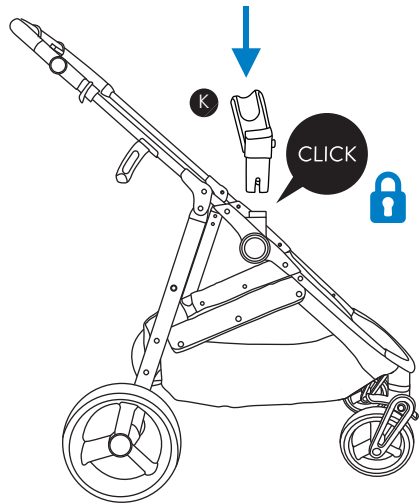


8. Travel System

8.1.1. ATTACHING CAR SEAT ADAPTORS

A set of car seat adaptors (K) are included with the pushchair.

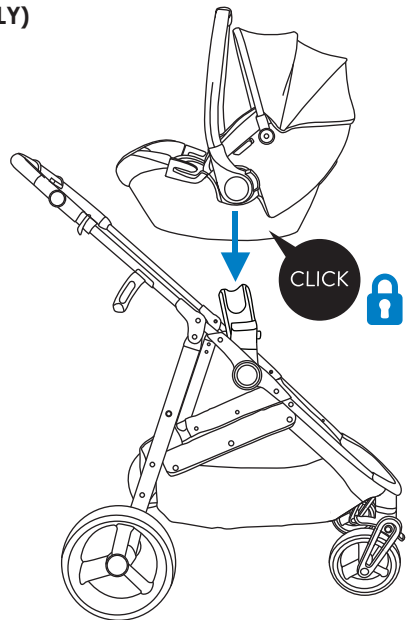
Remove the seat unit from the chassis to fit the adaptors.
Line up the adaptors with the chassis housing and press downwards.
Listen for a "click" to signal correct assembly.



8.1.2. ATTACHING CAR SEAT (SOLD SEPARATELY)

Place your car seat onto the adaptors.
Push down to "click" into place.
Lift by handle to ensure car seat is secure.
Alternatively, attach the adaptors to the car seat first and then attach the car seat to the chassis.

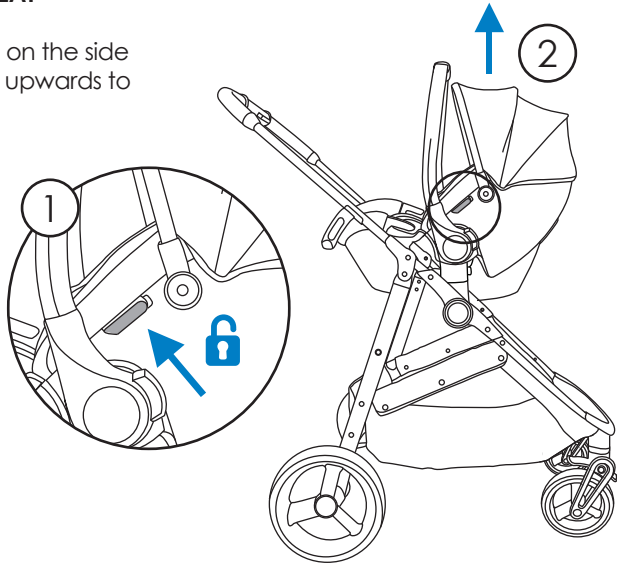
 **WARNING!**
Never attach the car seat forward facing.



8. Travel System

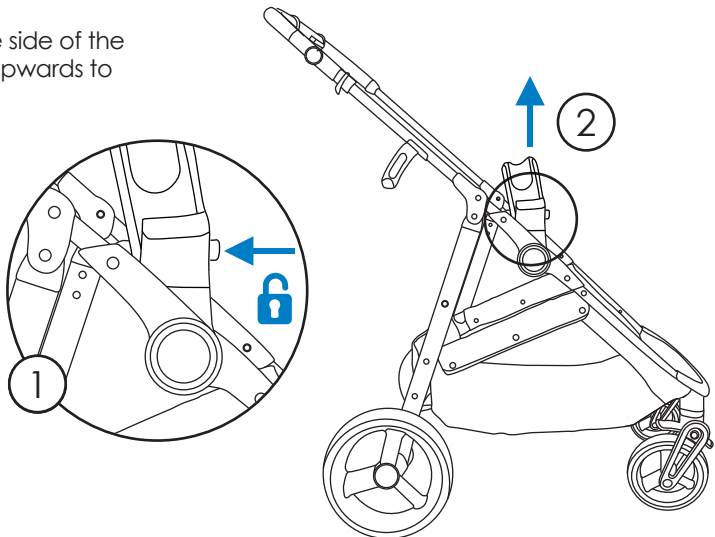
8.2.1. DETACHING CAR SEAT

Press the button located on the side of your car seat and pull upwards to remove.



8.2.2. DETACHING CAR SEAT ADAPTORS

Press button on the side of the adaptor and pull upwards to remove.



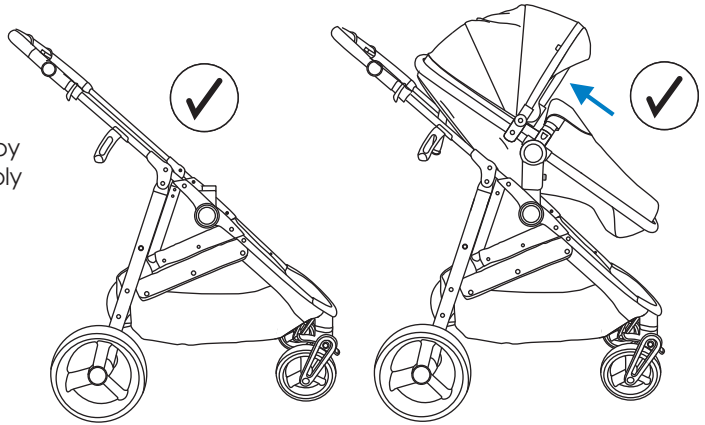
9. Folding

9.1. REMOVE THE SEAT UNIT AND CAR SEAT

For a more compact fold, remove the seat unit before folding. Otherwise, the chassis can only fold with the seat unit forward facing.

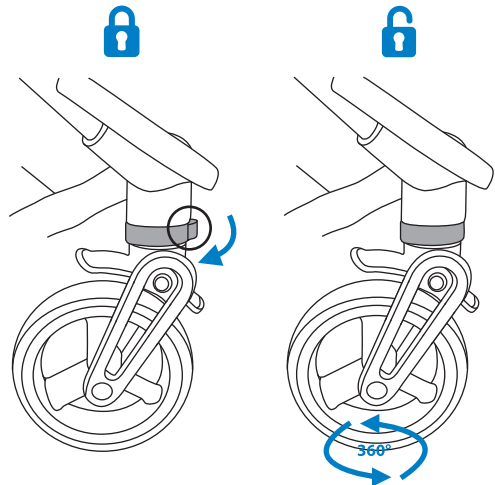
NEVER fold chassis with the car seat attached.

ALWAYS fold the canopy before folding and apply the brakes.



9.2. UNLOCK SWIVEL WHEELS

If the swivel wheels are locked, twist the top of the wheel socket so the notch is towards the back. This will ensure the wheels can move and do not touch the bar when the chassis is folded.

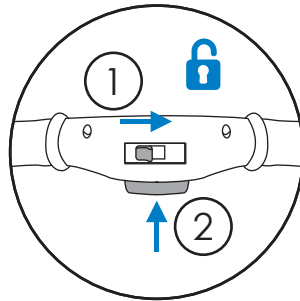


9. Folding

9.3. FOLDING CHASSIS

Located on the handle, slide the folding lock button across to the right. At the same time, push up the safety lock.

Push the handle down to a close.



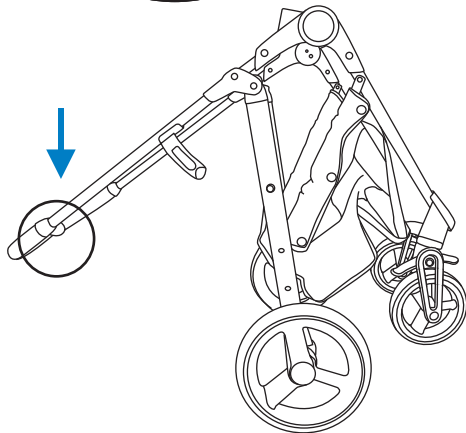
WARNING!

Remove your child and fold the product when going up or down escalators and flights of stairs.



WARNING!

Ensure the basket is emptied and any footmuffs or other accessories are removed prior to folding.



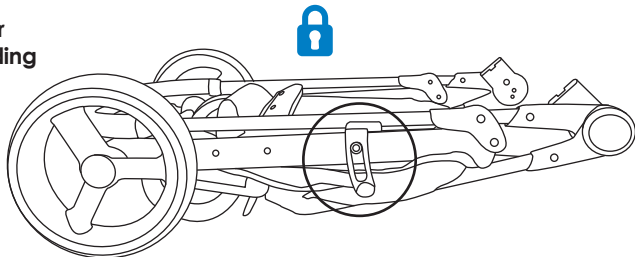
9.4. AUTOMATIC LOCK

The locking catch will engage automatically.



WARNING!

To avoid injury ensure that your child is kept away when unfolding and folding this product.



10. Care and Maintenance

10.1. CLEANING

- Spot or sponge clean fabrics with mild detergent. Use mild soap or upholstery shampoo. NEVER use bleach. Dry in shade thoroughly before reuse and avoid direct heat and sunlight. Do not iron. Do not dry clean.
- Wipe clean plastics and metals with a damp cloth.
- Never clean any part of the product with abrasive, ammonia based, bleach based or spirit type cleaners.
- Ensure the product is fully dry before use or storage.
- Always ensure the product is stored in a dry place to prevent mold or mildew developing.

10.2. MAINTENANCE

- The product requires regular maintenance to ensure correct and safe performance.
- Regularly inspect the wheels, locks, brakes, harness, catches, seat adjusters, joints and fixings to ensure they are clean, operating correctly and in full working order.
- Replace tyres if they are excessively worn.
- Do not use this product if any part is broken, torn or missing and use only spares provided by the manufacturer.
- If parts become stiff or difficult to operate, ensure dirt is not the cause, then try a light application of a silicon lubricant, ensuring it penetrates between the components. Regular lubrication of moving parts will extend the life of your product and make opening and folding easier.
- After exposure to damp conditions, dry off with a soft cloth and leave fully open in a warm environment. Storing damp will encourage mildew to form.
- Store in a dry place.
- Do not leave in sunlight for prolonged periods as some fabrics may fade.



If you have any questions or concerns regarding this product,
do not hesitate to contact our expert team online
via online4baby.com/contact-us

Feeling social?  
online4baby.com

Imported by Online4baby Ltd,
Meadowbank, Tweedale Way, Oldham, OL9 8EH