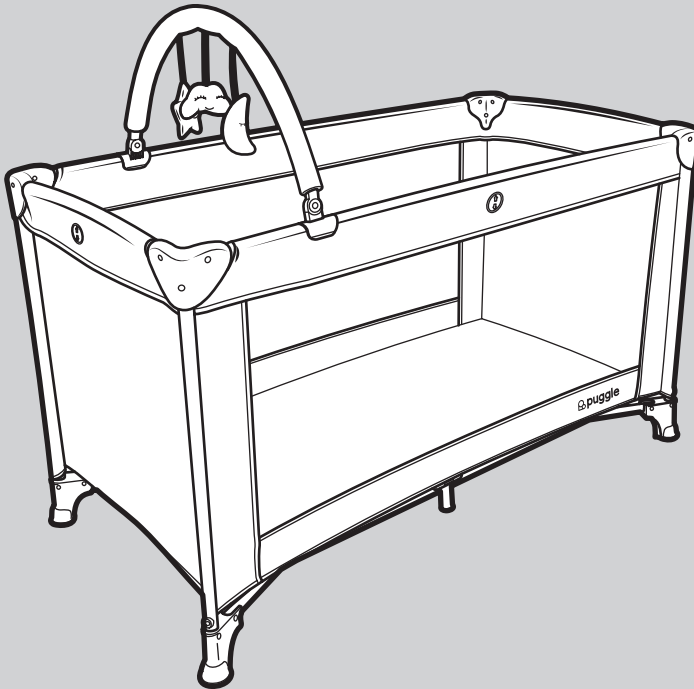


Compact 2 in 1 Travel Cot & Playpen

Instruction manual



IMPORTANT, RETAIN FOR FUTURE REFERENCE: READ CAREFULLY

Suitable from birth to 15kgs (Approx. 3 Years).

This Product conforms to EN 716-1:2017+AC:2019 & EN 12227:2010
& EN 16890:2017+A1:2021

Safety Instructions

IMPORTANT! KEEP FOR FUTURE REFERENCE

WARNING:

- Warning: the cot/playpen is intended for use only by one child who is unable to climb out of it and is less than 15kg in weight (approximately from birth to 3 years).
- Be aware of the risk of open fire and other sources of strong heat such as electric bar fires, gas fires, etc, in the near vicinity of the cot.
- Do not place the cot/playpen close to an open fire or other heat source
- Do not use the cot if any part is broken, torn or missing and use only spare parts approved by the manufacturer.
- Do not leave anything in the cot or place the cot close to another product, which could provide a foothold or present a danger of suffocation or strangulation e.g. strings, blind/curtain cords.
- Do not use the cot/playpen without the base.
- The height of the base is adjustable, the base should always be used in the lowest position as soon as the child is old enough to sit, kneel or to pull itself up.
- Do not use more than one mattress in the cot.
- The cot is ready for use, only once ALL locking mechanisms have been engaged.
- **WARNING!** Ensure that the playpen is fully erected and all the locking mechanisms engaged before placing your child in this playpen.
- Never use the cot without first carefully checking ALL locking mechanisms are fully engaged.
- All assembly fittings should always be tightened properly and fittings should be checked regularly and re-tightened as necessary.
- To prevent injury from falls: when the child is able to climb out of the cot, the cot shall no longer be used for that child.
- **WARNING! Only use the mattress sold with this cot, do not add a second mattress on this one, suffocation hazards.**
- Do not move the travel cot while the child is inside.
- Never sit or lean on the top rails.
- Do not use accessories which have not been approved by the manufacturer.
- Only additional or replacement parts recommended by the manufacturer shall be used.

Welcome

Thank you for purchasing the Puggle Compact 2 in 1 Travel Cot & Playpen. Please read the instructions and warnings carefully before use to ensure safe and satisfactory operation of this product.

Your child's safety is your responsibility. If you have a query with this product or require replacement parts, please contact us at online4baby.com/contact-us.

Lay out the parts on a soft level surface and compare to the part/fixings checklist. Do not discard any packaging until you are sure that you have all the parts.

WARNING! Assembly by an adult. Keep away from children until fully assembled.

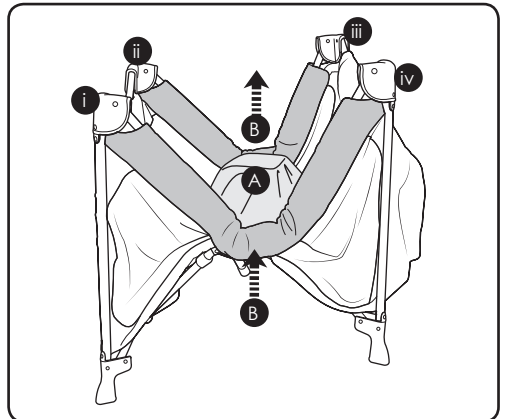
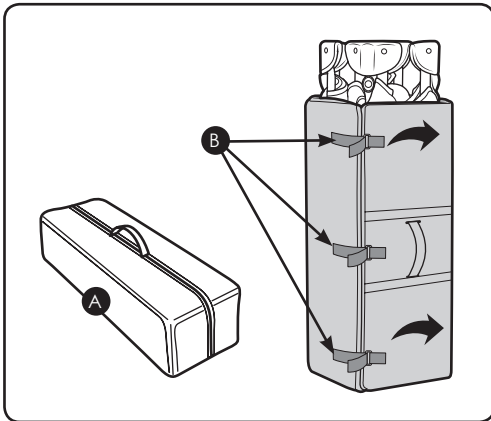
Parts Checklist

Contained in your carton are:

Nº	Part	Qty
1	Travel Cot	1
2	Carrycase	1
3	Toybar and Toys*	1
4	Mattress	1

*Styles may vary

Assembling the Travel Cot

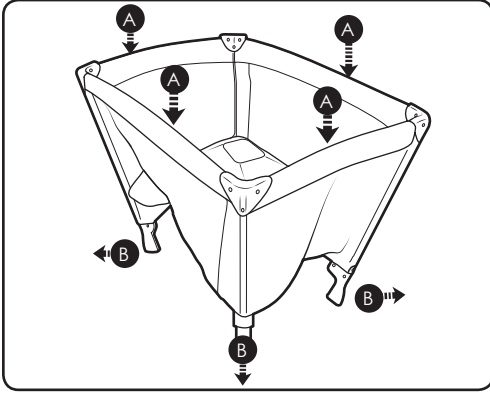


1. Unzip the travel bag (A) and remove the travel cot. Place the cot in the vertical position and release the straps (B) to remove the mattress.

2. Spread the top corners (i, ii, iii, iv) part way out, ensuring the centre section (A) remains in the raised upright position. Lift side rails (B) to the 'lock up' position and repeat with the end rails.

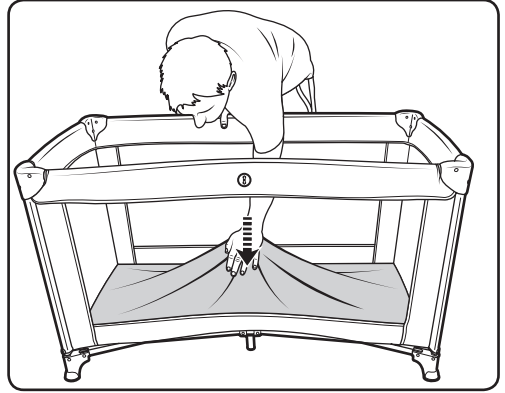
Note: if any rails fail to 'lock up' check that the centre section is fully raised. DO NOT use excessive force.

Assembling the Travel Cot (continued)

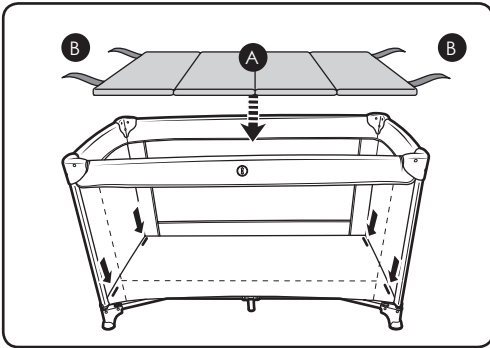


3. Check that all four sides are locked by pressing down at the centre of each rail (A). If you have difficulty locking the sides, lift the centre of the base a little higher and start the process again.

When all four sides are 'locked up', spread the legs of the cot outwards (B).

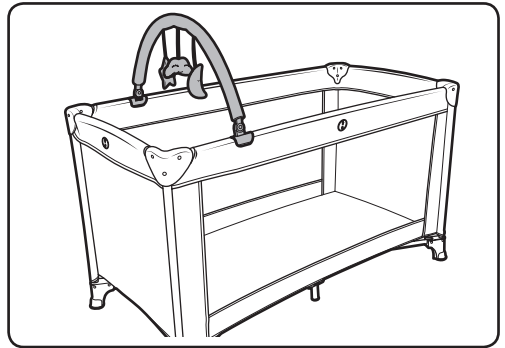


4. Gently, but firmly, push the centre of the cot base downwards until it audibly locks into place.



5. Place mattress (A), padded side up, into the travel cot. Thread straps (B) through the four slots on the base and attach them to the velcro fasteners on the underside of the travel cot.

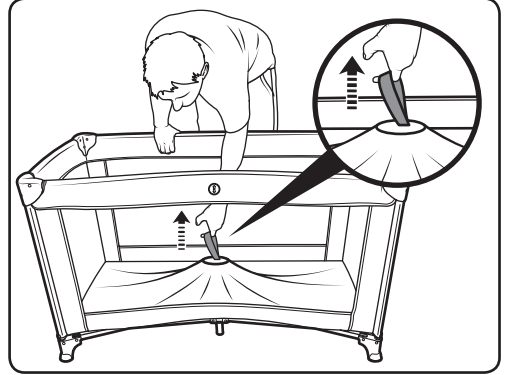
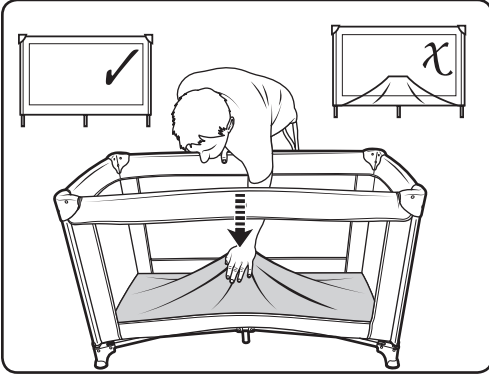
WARNING! The travel cot is ready to use only when the locking mechanism of the folding system on all sides (including the base) are engaged fully and the mattress provided is placed onto the base.



6. Attach the toy bar by clipping it over the two side rails.

Folding the Travel Cot

1. Remove the mattress from the travel cot.

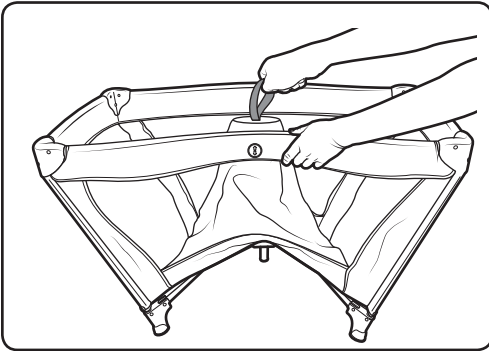


2. Ensure the base is flat before folding.

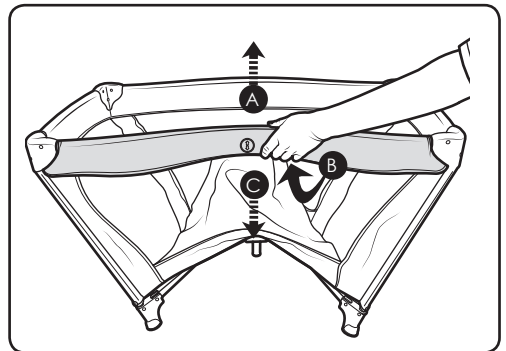
IMPORTANT: If the base pops up in the centre push it back down before trying to pull the webbing handle.

3. Grasp the webbing handle in the centre of the cot base and pull upwards fully.

WARNING: If the centre of the travel cot base refuses to pull upwards **DO NOT** force it. Push the centre back down and start again.

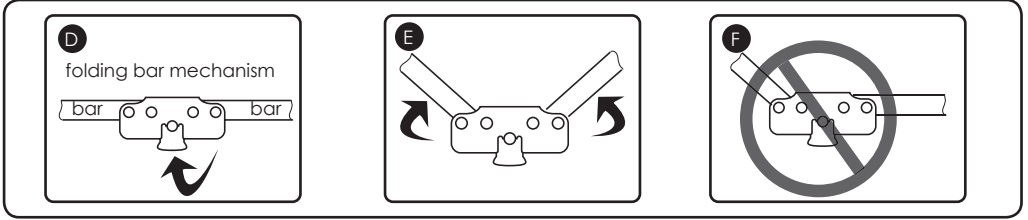


4. With the centre of the cot base pulled up, balance the cot by keeping hold of one corner before moving to the next step.

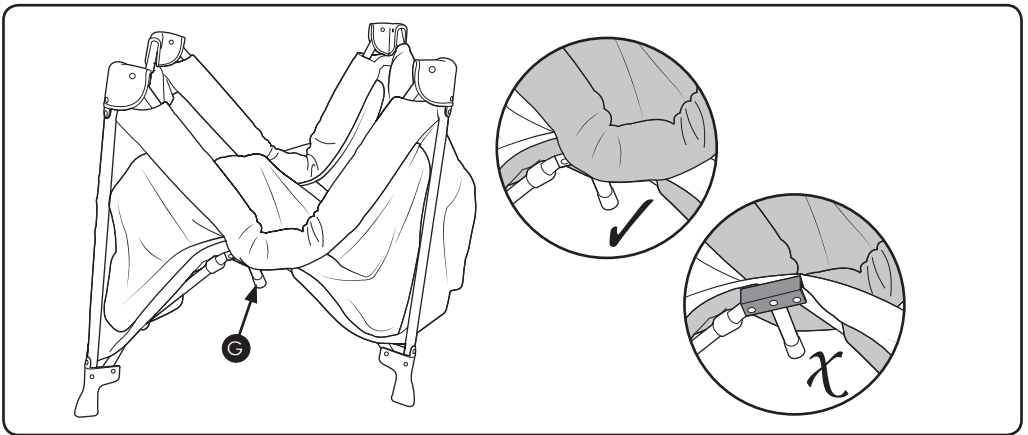


5. Hold the centre of the rail and lift slightly (A). Press up the release button located on the underside of the rail (B). Lower the rail downwards (C). Repeat on all other rails.
See step (6) for further details.

Folding the Travel Cot (continued)



6. **Note: illustration shows internal mechanism.** Ensure bars on both side of the folding mechanism fold inwards (E). If one side remains locked (F) raise the bar and repeat actions (D) and (E).



7. With all four rails unlocked, ensure that the central leg (G) is contained within the sides of the cot and not on the outside.

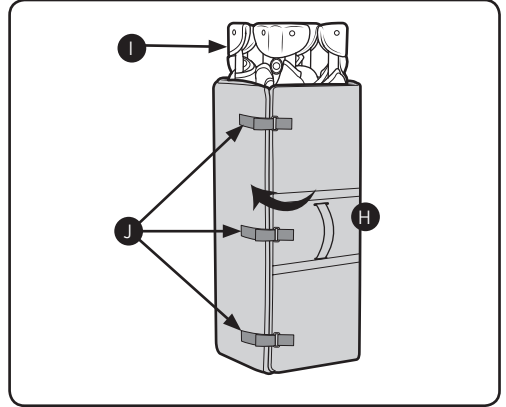
WARNING! Attempting to fold the travel cot with central leg (G) incorrectly positioned may result in damage to the cot.

8. With the rails of the cot in the closed position push all 4 feet together.



Folding the Travel Cot (continued)

9. Fold the mattress (H) around the folded cot (I) and fasten straps (J) to secure in place.



Troubleshooting

- **The sides won't fold/lock into position:**

Lift the central section as high as you can, then try again to get the side mechanism to fold/lock into position.

- **The Travel cot won't fold completely for storage:**

1. Never force the travel cot to fold as this will break it.

2. Check all the side rail folding mechanisms have been released on both sides of each mechanism.


3. Check that the side legs are not trapped in the travel cot fabric or have folded outside of the side rails. Open up the travel cot and ensure the side legs are inside the cot and that they do not catch on the fabric.

Care and Maintenance

- Clean fabric covers and trims with a sponge using a mild detergent and warm water.
- Do not use bleach or ammonia based solvents.
- Dry in the open position in a well ventilated area.
- Clean metal parts with a damp cloth and always wipe dry.
- Regularly inspect for loose, damaged or missing parts.
- Ensure cot is thoroughly dry before using or storing.



If you have any questions or concerns regarding this product,
do not hesitate to contact our expert team online
via online4baby.com/contact-us

Feeling social?  
online4baby.com

Imported by Online4baby Ltd,
Meadowbank, Tweedale Way, Oldham, OL9 8EH