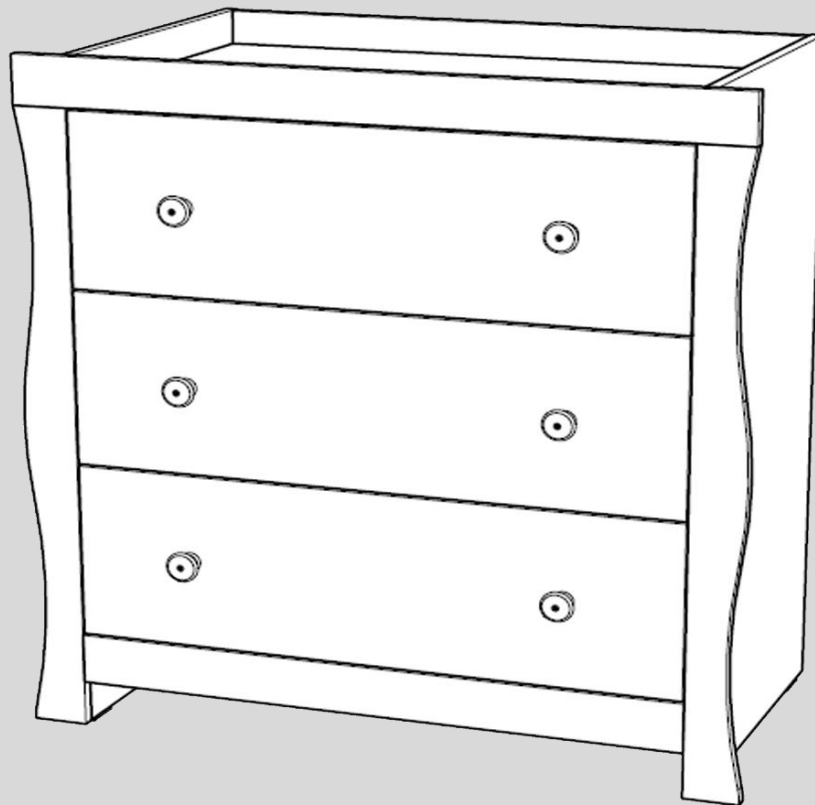


Traditional Sleigh Dresser

Instruction manual



IMPORTANT – Please read these instructions carefully before use and retain for future reference.

This product conforms to BS EN 12221:2008+A1:2013.

Safety Instructions

IMPORTANT – Read the instructions carefully before use and keep for future reference.

- **WARNING:** A child's safety is your responsibility.
- **WARNING:** Never leave the child unattended.
- **WARNING:** Only use on a firm ground which is horizontal, level and dry.
- **WARNING:** Do not let other children play unattended near the Dresser.
- **WARNING:** Do not use if any part of the stand is broken, torn or missing.
- The Dresser is suitable for children from birth up to 11kg (approximately 12 months of age).
- Suitable for use with a changing mat of max size 79 x 78cm
- DO NOT attempt to move the Dresser whilst it is in use.
- DO NOT place near an open fire and other sources of strong heat, such as electric bar fires, gas fires etc.
- DO NOT place the Dresser next to another product, which could present a danger of strangulation e.g. strings, blind/curtain cords.
- To prevent entrapment, do not place the Dresser near to other objects.
- DO NOT use this Dresser for anything other than its intended purpose.
- Any additional or replacement parts can only be obtained from the manufacturer or the distributor.
- Regularly check that fixings are secure and if required tighten accordingly.
- Always use the wall attachment strap provided.
- DO NOT use power tools to assemble this product. Power tools can cause screws and their fittings to over-tighten and damage the wood. Power tools will also draw out the embedded insert nuts.
- After product is assembled ensure that all screws are securely tightened.
- Ensure there are no small parts, fittings left after assembly or that can be easily accessible as these can be a choking hazard.
- This product conforms to EN 12221-1:2008+A1:2013.

Welcome

Thank you for purchasing the Puggle Traditional Sleigh Dresser.

Please read these instructions and safety warnings carefully before use to ensure safe and satisfactory operation of this product.

Your child's safety is your responsibility. If you have a query with this product or require replacement parts, please contact Online4baby online at online4baby.com/contact-us.

Lay out the parts on a soft level surface and compare to the part/fixings checklist. Do not discard any packaging until you are sure that you have all the parts.

WARNING! Assembly by an adult. Keep away from children until fully assembled. Keep children clear during assembly as pack contains small parts which may present a choking hazard.

Before Assembly

Before assembly, please ensure that you have read and understood the instructions. The carefully unpack our dresser and ensure that all parts are present, please see parts list as follows.

Discard packaging in accordance with your local authority guidelines.

We advise that the dresser should be assembled in the room where it is intended to be used, two person assembly is recommended. The dresser should be assembled on a clean surface, free from any sharp objects that could mark or damage the product.

CAUTION: There are many small components used in the construction of this dresser. These items should be kept out of reach of young children whilst assembling the unit.

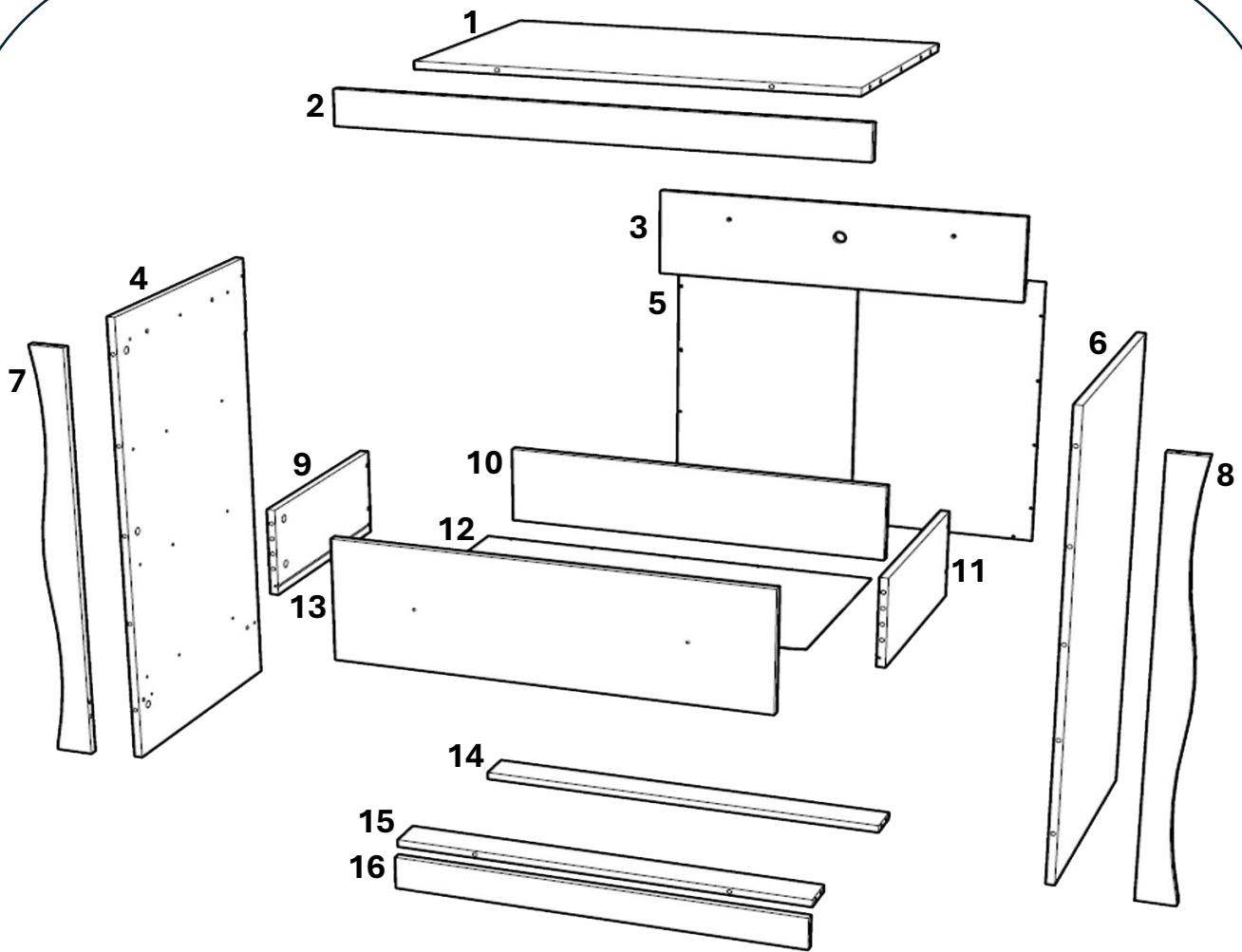
NOTE: When unpacking this product there may be a slight odour, this is perfectly normal. We recommend allowing the product to air out in a well-ventilated room to allow the odour to dissipate prior to use.



2 Man assembly recommended, approximate build time 40 minutes.



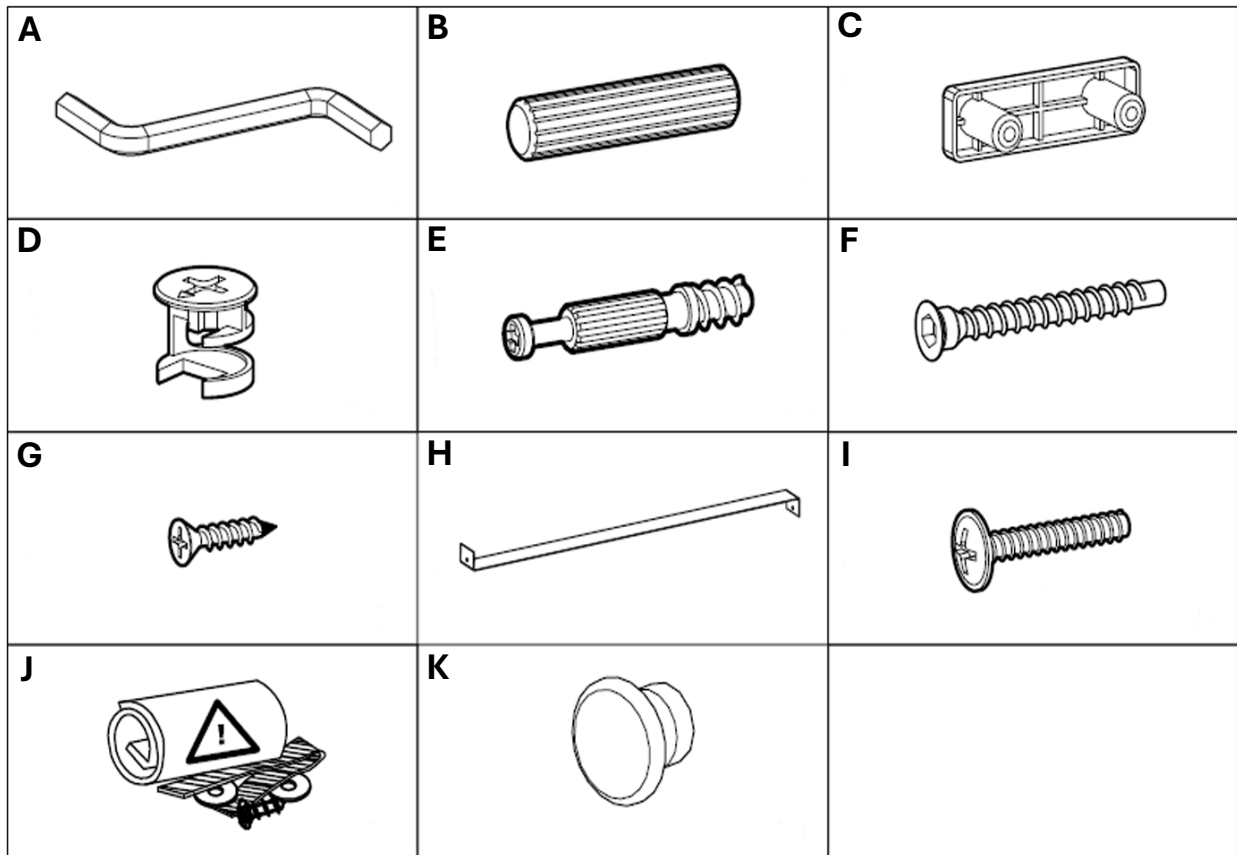
Parts List



Parts included with your Traditional Sleigh Dresser are:

Part.	Description	Qty	Part.	Description	Qty
1	Top Panel	1	9	Left Drawer Side	3
2	Top Front Panel	1	10	Drawer Back	3
3	Top Back Panel	1	11	Right Drawer Side	3
4	Left Side Panel	1	12	Drawer Base	3
5	Back Board	1	13	Drawer Front	3
6	Right Side Panel	1	14	Base Support Panel	1
7	Left Front Panel	1	15	Front Base Support	1
8	Right Front Panel	1	16	Base Front Panel	1

Fixings List



Parts included with your Classic Dresser are:

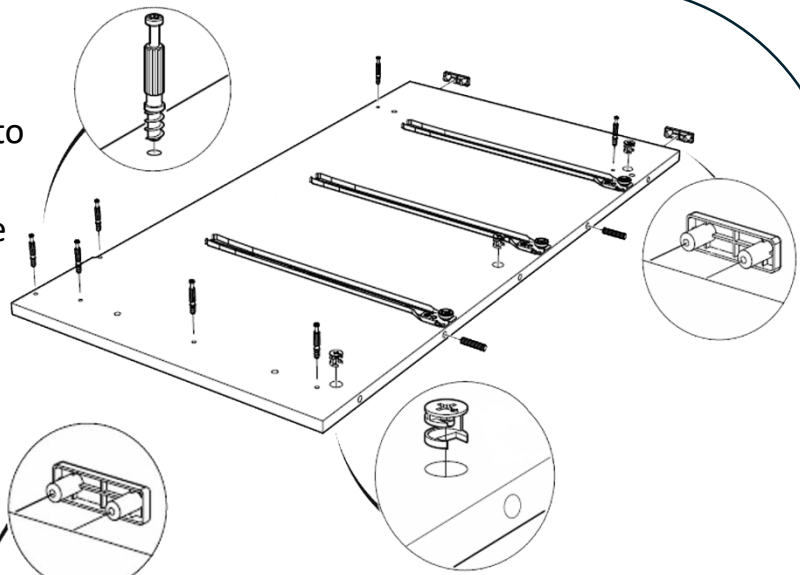
Part.	Description	Qty	Part.	Description	Qty
A	Allen Key	1	G	Small Screw	41
B	Wooden Dowel	32	H	Drawer Support	3
C	Plastic Stopper	4	I	Handle Screw	6
D	Cam Lock	36	J	Wall Fixing Kit	1
E	Cam Lock Screw	36	K	Drawer Handle	6
F	Bolt	14			

A cross-headed screwdriver may also be required when fastening the Cam Locks (D) (not supplied).

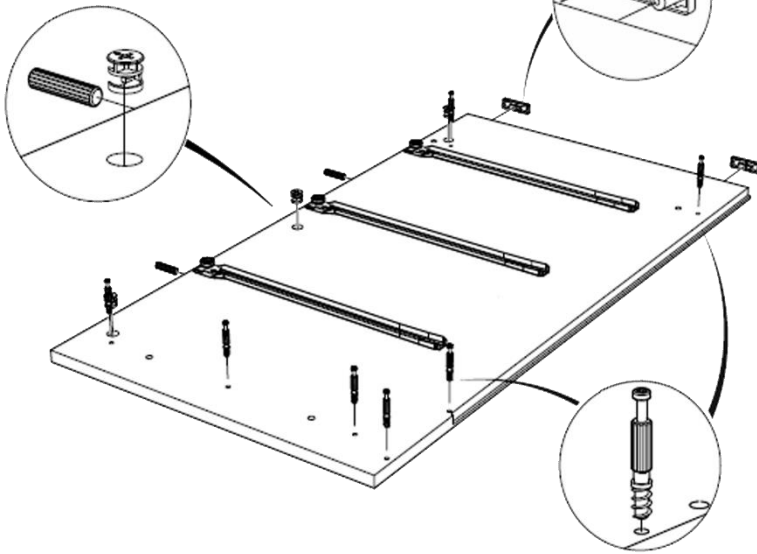
WARNING: DO NOT use power tools to tighten bolts only use the Allen Key (A) provided.

Assembling the Sleigh Dresser

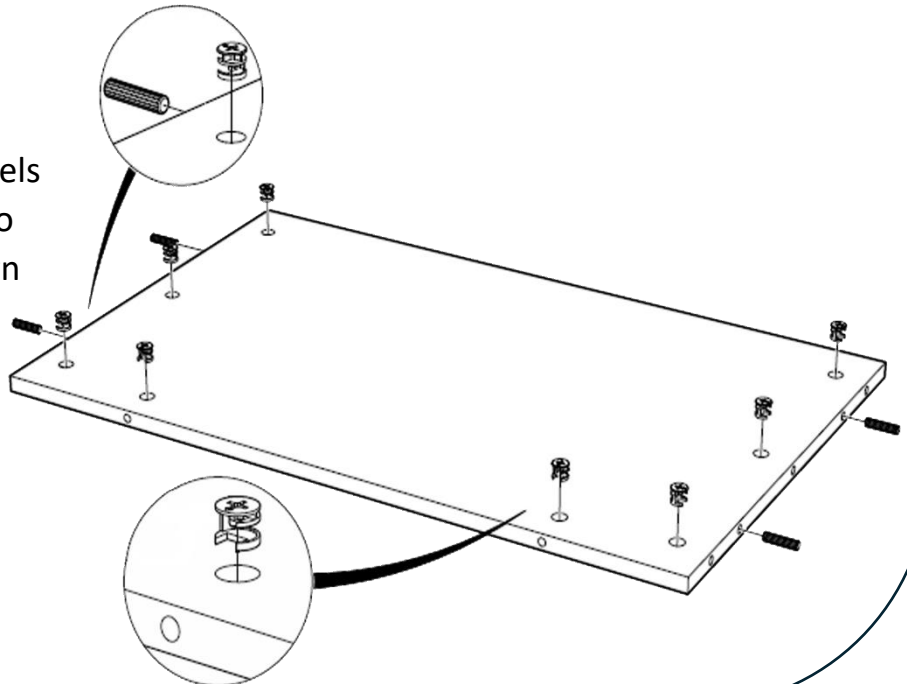
1. Attach 7 Cam Lock Screws (E) to the Left Side Panel (4) and insert 3 Cam Locks (D) into the corresponding slots.



2. Attach 7 Cam Lock Screws (E) to the Right Side Panel (5) and insert 3 Cam Locks (D) into the corresponding slots.

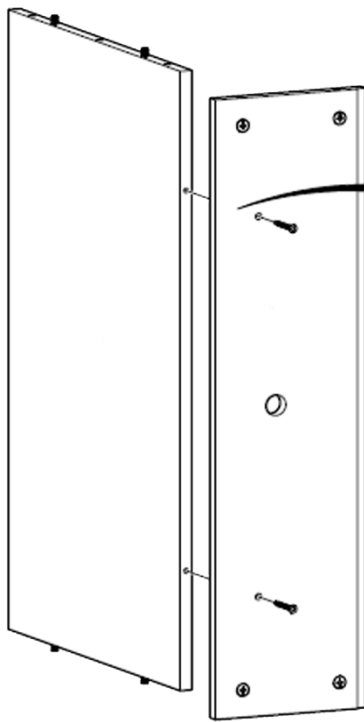
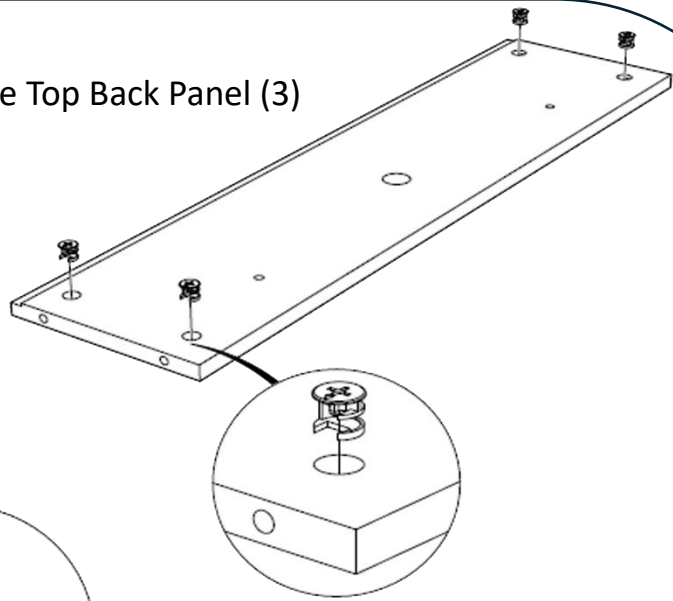


3. Insert both Wooden Dowels (B) and Cam Locks (D) into the Top Panel (1) as shown right.



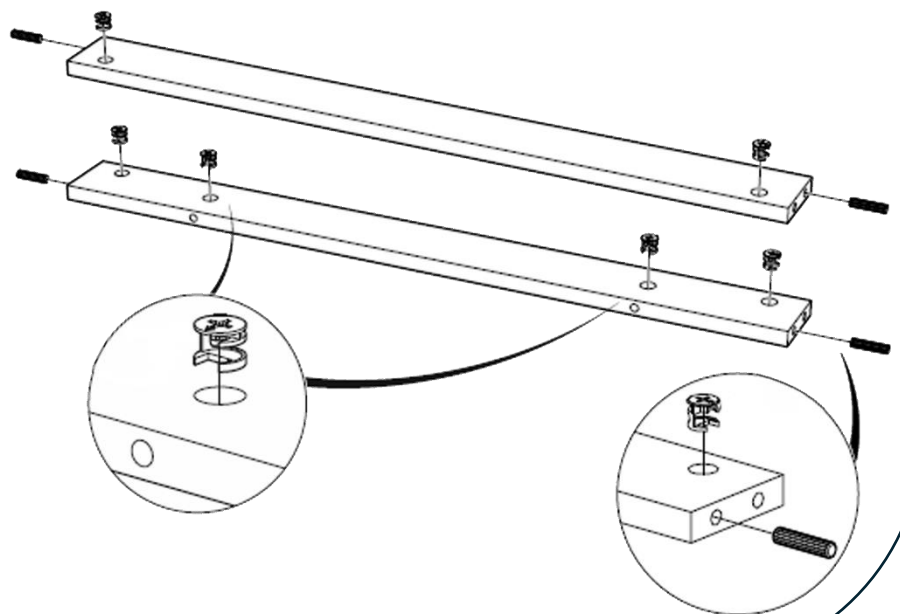
Assembling the Classic Dresser

4. Insert the Cam Locks (D) into the Top Back Panel (3) as shown right.



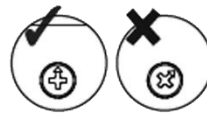
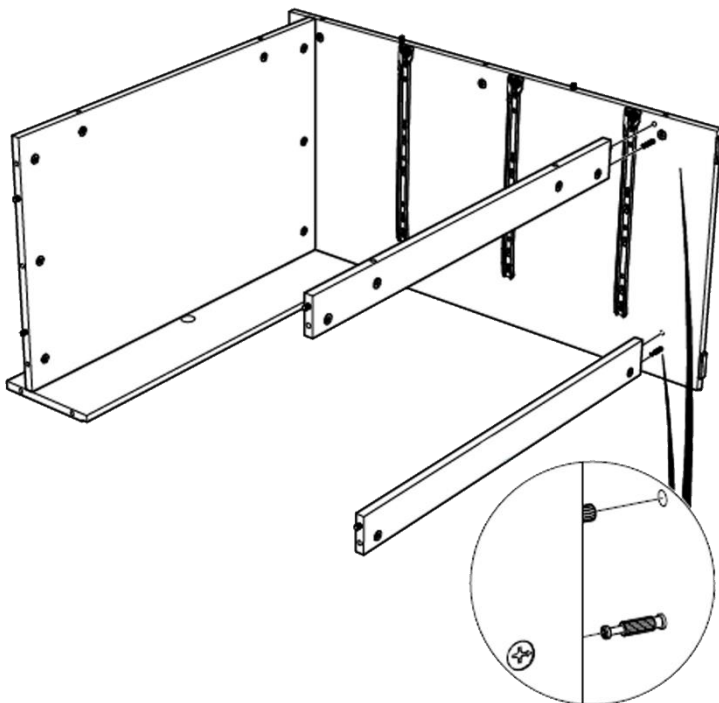
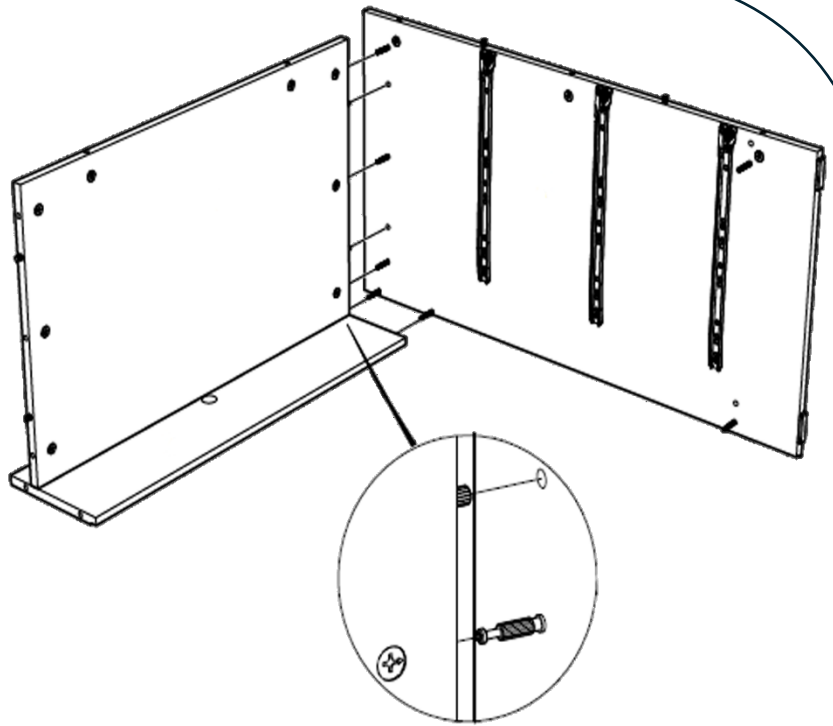
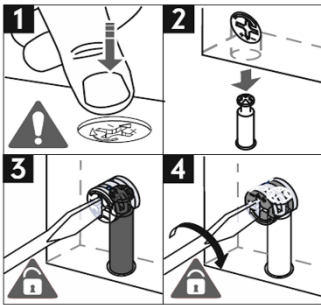
5. Attach the Top Back Panel (3) to the Top Panel (1), using the Bolt (F) and tighten with the Allen Key (A).

6. Insert the Wooden Dowels (B) and Cam Locks (D) into both the Base Support Panel (14) and Front Base Support (15).



Assembling the Classic Dresser

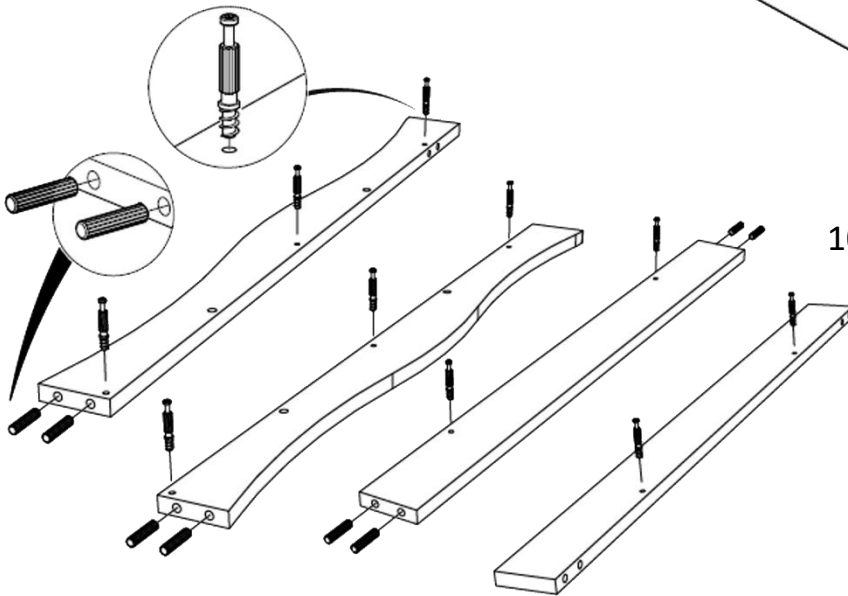
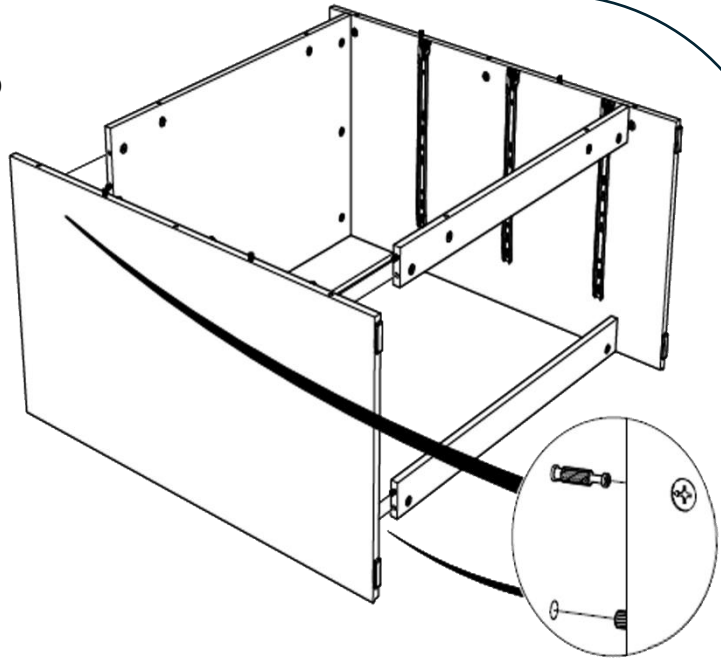
7. Attach the Right Side Panel (6) to the Top Panel (1) and the Top Back Panel (3), lock the Cam Locks (D) into place on the Cam Lock Screws (E) as shown right and below.



8. Attach both the Base Support Panel (14) and Front Base Support (15), lock the Cam Locks (D) into place on the Cam Lock Screws (E) as shown right and below.

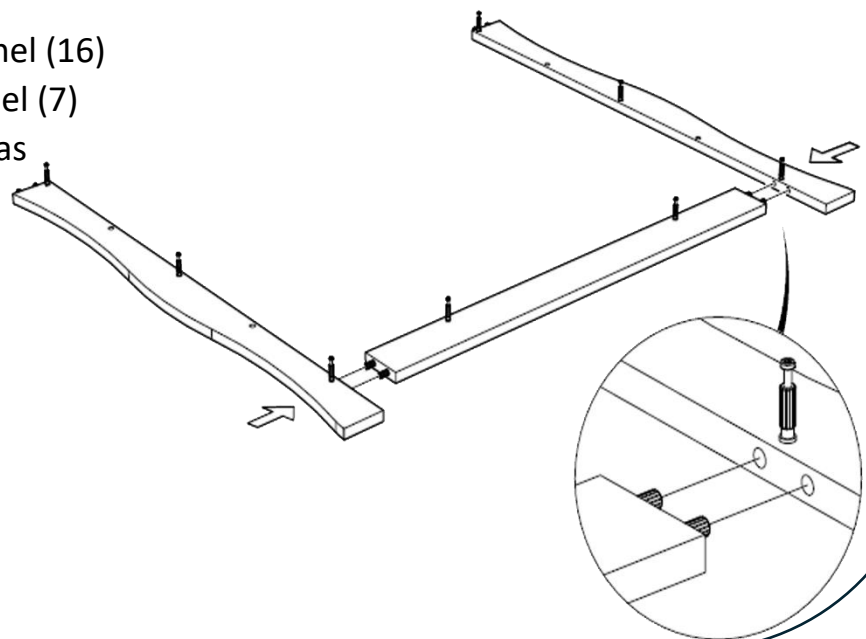
Assembling the Classic Dresser

9. Attach the Left Side Panel (4) to the Top Panel (1) and the Top Back Panel (3), lock the Cam Locks (D) into place on the Cam Lock Screws (E) as shown right and below.



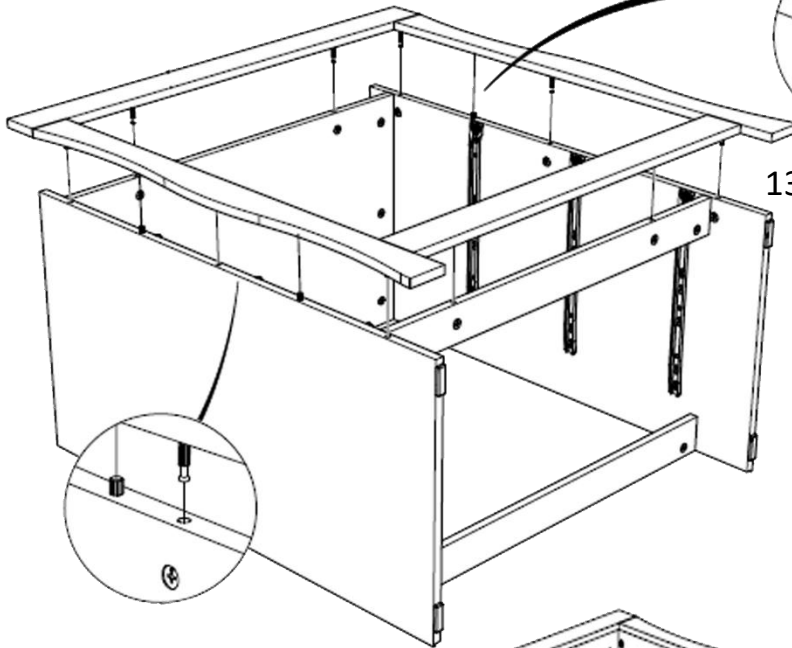
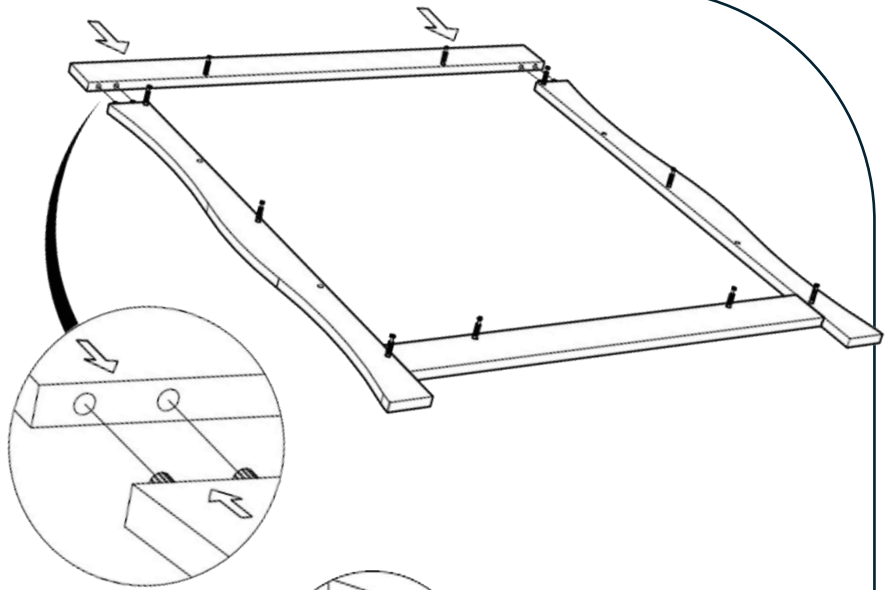
10. Attach the Cam Lock Screws (E) to both the Left Front Panel (7) and Right Front Panel (8) and both the Top Front Panel (2) and Base Front Panel (16). Insert Wooden Dowels (B) into the Left Front Panel (7), Base Front Panel (16) and Right Front Panel (8) as shown left.

10. Attach the Base Front Panel (16) to both the Left Front Panel (7) and Right Front Panel (8) as shown right.



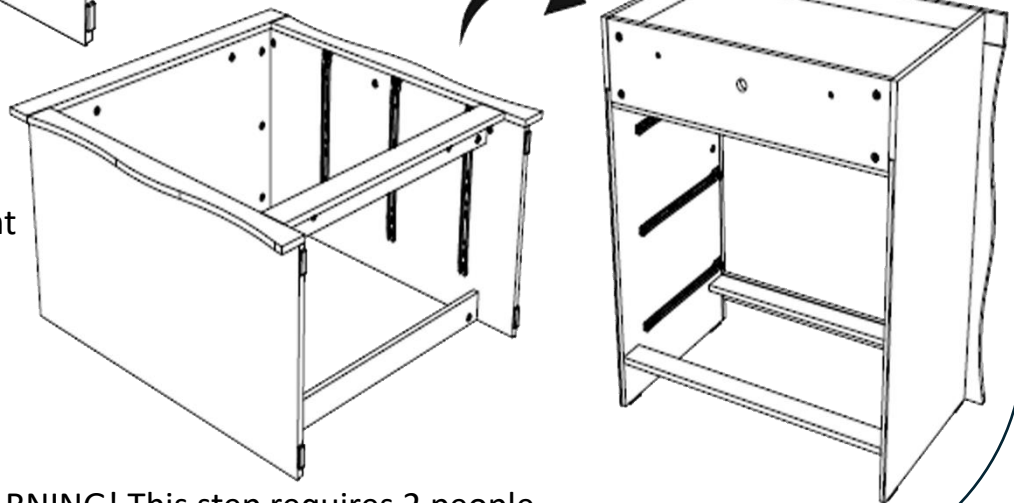
Assembling the Classic Dresser

12. Attach the Top Front Panel (2) to both the Left Front Panel (7) and Right Front Panel (8) as shown right.



13. Attach the assembled front frame to the dresser body as shown left, lock the Cam Locks (D) into place on the Cam Lock Screws (E).

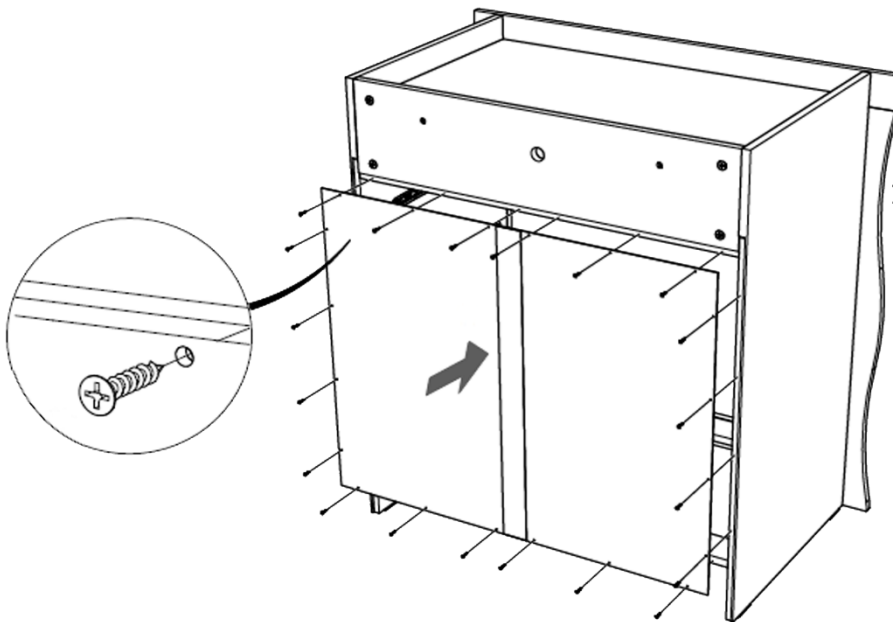
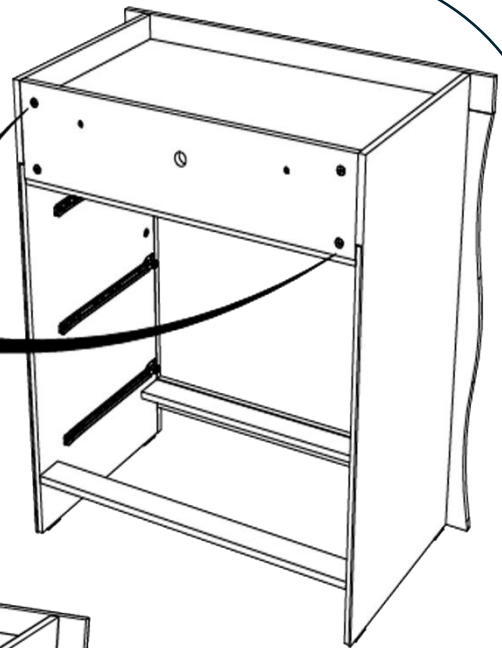
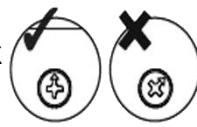
14. Turn the assembled dresser frame upright as shown right.



WARNING! This step requires 2 people.

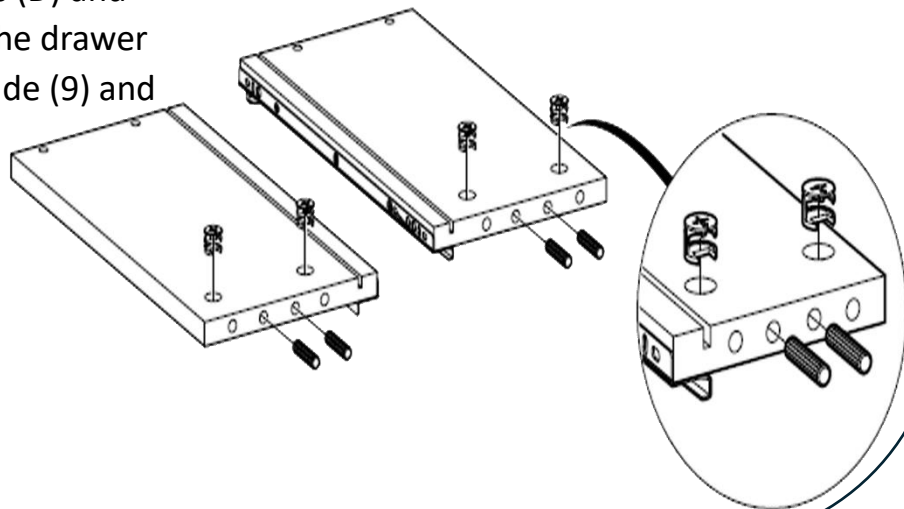
Assembling the Classic Dresser

15. On the Top Back Panel (3), lock the Cam Locks (D) into place on the Cam Lock Screws (E).



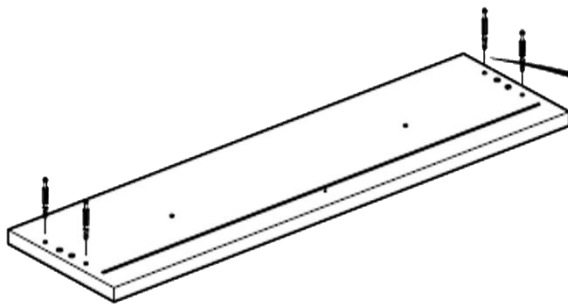
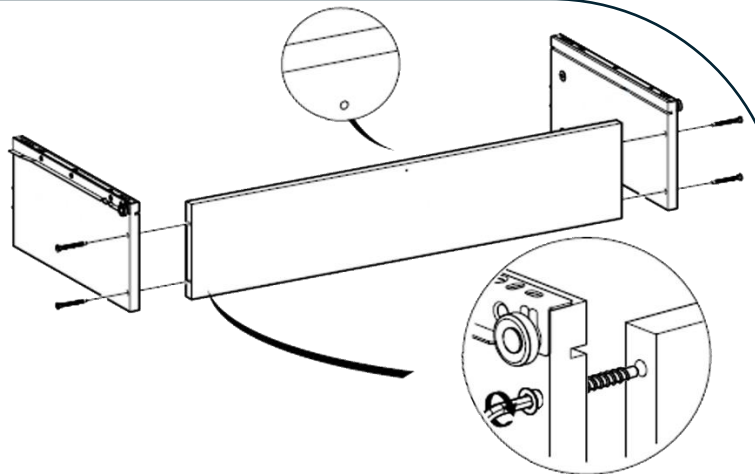
16. Attach the Back Board (5) to dresser body, using the Small Screws (G) and tighten with a cross-headed screwdriver (not supplied).

17. Insert both the Cam Locks (D) and Wooden Dowels (B) into the drawer side panels, Left Drawer Side (9) and Right Drawer Side (11).



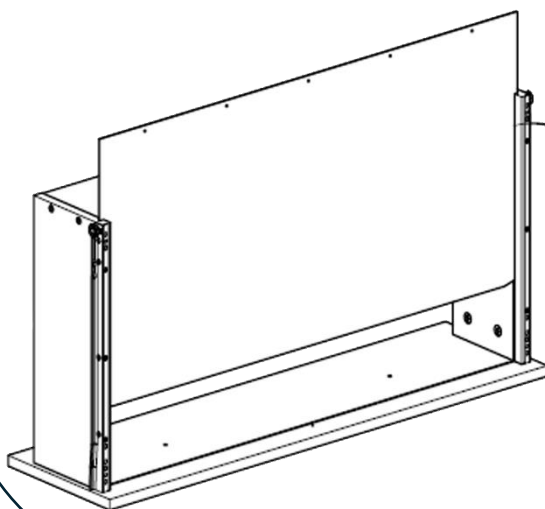
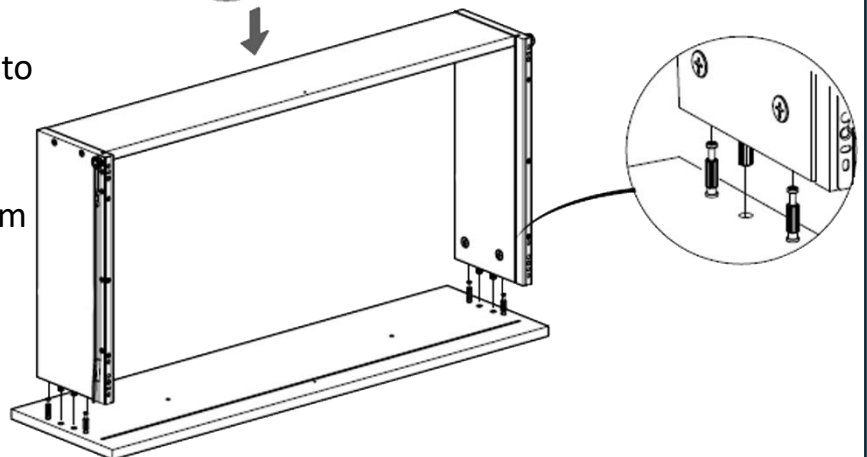
Assembling the Classic Dresser

18. Attach the Left Drawer Side (9) and Right Drawer Side (11) to the Drawer Back (10), using the Bolts (F) and tighten with the Allen Key (A).



19. Attach the Cam Lock Screws (E) to the Drawer Front (13) as shown left.

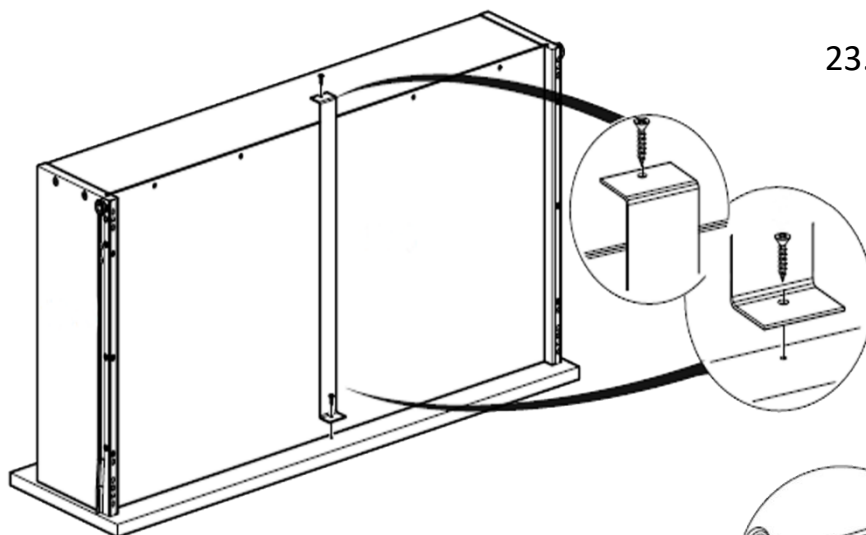
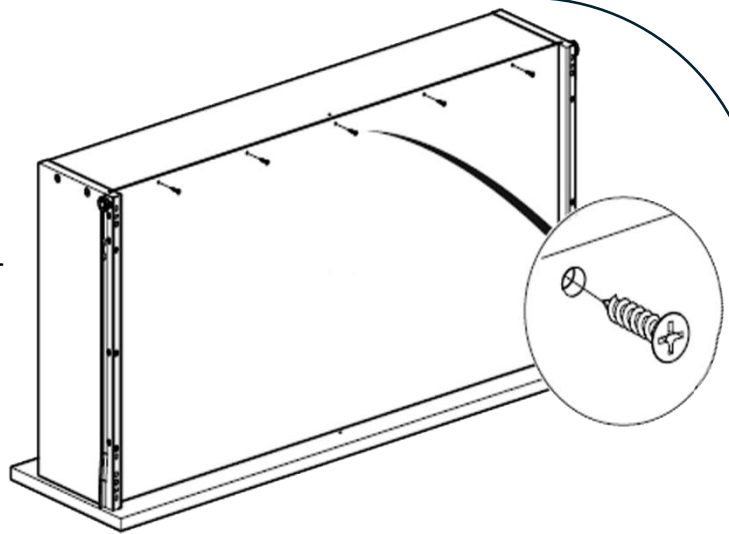
20. Attach the Drawer Front (13) to the rest of the assembled drawer frame, lock the Cam Locks (D) into place on the Cam Lock Screws (E).



21. Insert the Drawer Base (12) into the grooves on the drawer side panels, Left Drawer Side (9) and Right Drawer Side (11) as shown left.

Assembling the Classic Dresser

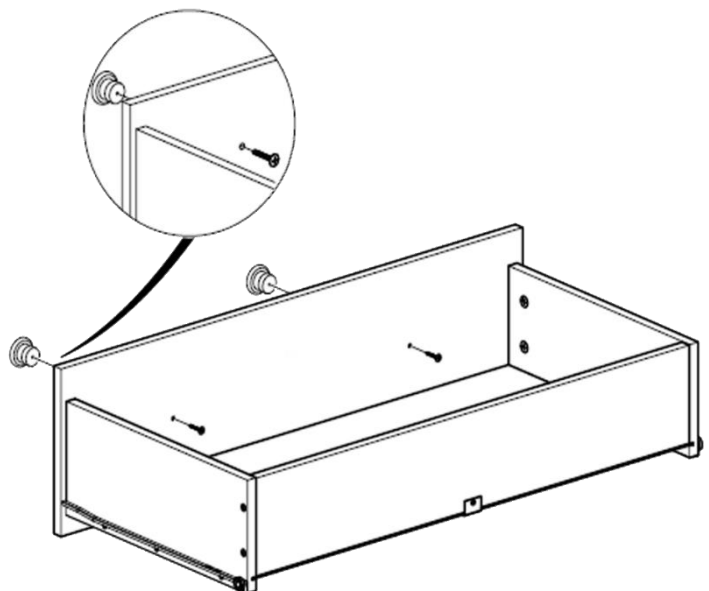
22. Attach the Drawer Base (12) to the drawer frame, using the Small Screws (G) and tighten with a cross-headed screwdriver (not supplied).



23. Position the Drawer Support (H) as shown left and then fix into place using the Small Screws (G) and tighten with a cross-headed screwdriver (not supplied).

24. Attach the Drawer Handle (K) to the Drawer Front (13), using the Handle Screws (I) and tighten with a cross-headed screwdriver (not supplied).

25. Repeat steps 17-24 for the 2 remaining drawers.



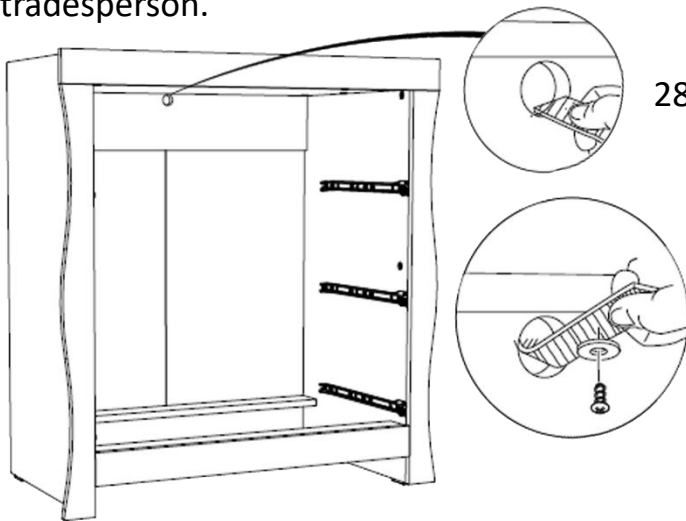
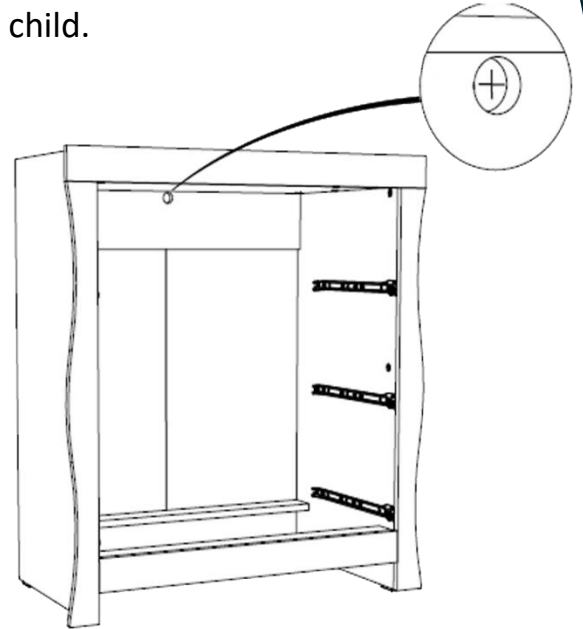
Wall mounting the Classic Dresser

WARNING! Furniture should be fixed to the wall to prevent it from falling over during use. Fixing the furniture to the wall shall be carried out in accordance to instruction attached to the fitting. Always use the wall attachment strap provided to prevent toppling and serious injury to the a child.

26. Mark the wall on which the Dresser is to be mounted with a cross as shown right through the cut-out on the Top Back Panel (3).

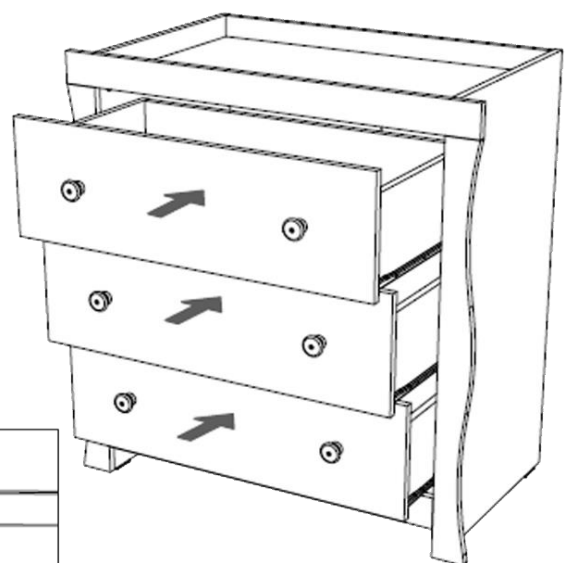
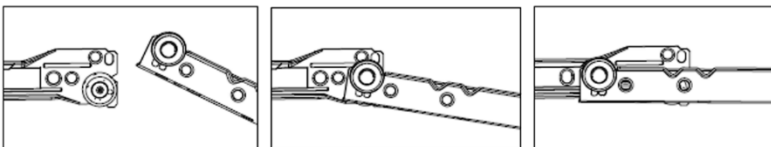
27. Drill the hole marked in the previous step, and fix the wall mounting strap to the wall using the screws supplied in the Wall Fixing Kit (J).

WARNING! Appropriate fittings shall be chosen for strap assembly depending on wall construction, if you are unsure as the wall construction and the fixings required please contact a suitable tradesperson.



28. Pull the strap through the cut-out on the Top Back Panel (3) and attach to the underside of the top panel, using the screw and washer supplied in the Wall Fixing Kit (J) as shown left.

29. Insert the drawers assembled previously, ensuring that the rollers on the runners on both the drawers and side panels align as shown below.



Care and Maintenance

WARNING! In order to prevent overturning this product must be used with the wall attachment device provided. Serious or fatal crushing injuries can occur from furniture tipping over. To help prevent tipping;

- Use the wall attachment device provided.
- Never allow children to climb or hang on drawers, doors or shelves.
- Place heaviest items in the lower drawers or shelves.
- Unless specifically designed to accommodate, do not set TV's or other heavy objects on top of this product.
- Never open more than one drawer at a time.

An attachment device is provided with your product, however you will need to source suitable fixings for your wall type. If in doubt, please consult a qualified tradesperson. Always ensure the wall to be drilled is free from hidden electrical wires, water and gas pipes.

- Scuff marks may be removed with a soft, damp cloth.
- Occasional use of furniture polish will maintain the finish of your stand.
- **DO NOT** use harsh or abrasive cleaners or bleaches on this product, as they may damage the finish.
- Periodically check all screw fixings to ensure they remain tight and tighten where required.
- Take care when handling or moving the furniture. Careless handling may cause damage.
- This product features a permanent safety label, please do not remove.

Box contents

This product is supplied in 2 boxes, please find parts list below with box number for easy reference;

Part No.	Part Description & Quantity	Box No.	Part Dimensions (mm)
1	Top Panel x1	Box 2 of 2	782 x 487 x 16
2	Top Front Panel x1	Box 1 of 2	920 x 72 x 16
3	Top Back Panel x1	Box 2 of 2	782 x 200 x 16
4	Left Side Panel x1	Box 1 of 2	956 x 504 x 16
5	Back Board x1	Box 1 of 2	651 x 804 x 2.5
6	Right Side Panel x1	Box 1 of 2	956 x 504 x 16
7	Left Front Panel x1	Box 1 of 2	884 x 70 x 16
8	Right Front Panel x1	Box 1 of 2	884 x 70 x 16
9	Left Drawer Side x3	Box 2 of 2	400 x 180 x 16
10	Drawer Back x3	Box 2 of 2	725 x 159 x 16
11	Right Drawer Side x3	Box 2 of 2	400 x 180 x 16
12	Drawer Base x 3	Box 2 of 2	738 x 405 x 2.5
13	Drawer Front x3	Box 1 of 2	776 x 246 x 16
14	Base Support x1	Box 2 of 2	782 x 70 x 16
15	Front Base Support x1	Box 2 of 2	782 x 70 x16
16	Base Front Panel x1	Box 2 of 2	780 x 70 x 16

puggle™

Feeling social?  

[online4baby.com](https://www.online4baby.com)

Imported by Online4baby Ltd.

Meadowbank, Tweedale Way, Oldham, OL9 8EH