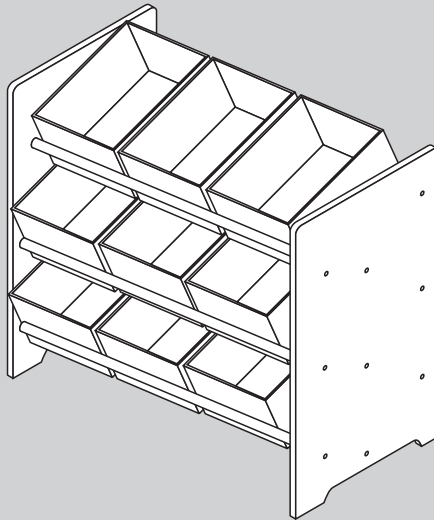


# Organiser

Instruction manual



**IMPORTANT - RETAIN FOR FUTURE  
REFERENCE, READ CAREFULLY.**

**Warning:** A child's safety is your responsibility.

# 1 .Welcome

Thank you for purchasing the Puggle Organiser. Please read the instructions and warnings carefully before use to ensure safe and satisfactory operation of your Puggle Organiser.

If you have a query with this product or require replacement parts, please contact Online4baby online at [online4baby.com/contact-us](http://online4baby.com/contact-us).

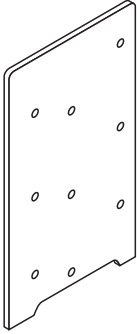
## 2. Safety instructions

**IMPORTANT! PLEASE READ THE FOLLOWING INSTRUCTIONS CAREFULLY BEFORE INSTALLING THE PRODUCT.**

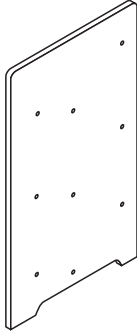
- **WARNING!** Keep for future reference. The child may be hurt if you do not follow these instructions.
- **WARNING!** Choking hazard due to small parts.
- **WARNING!** This product is to be assembled by an adult.
- **WARNING!** Do not use this item if any components are missing or damaged.
- **WARNING!** During assembly children should be kept away from the product due to possible risk of injury.
- **WARNING!** Regularly check all fastenings to ensure that they are properly tightened.
- **WARNING!** For children aged 3-6 years.
- **WARNING!** DO NOT Place this product near a window as it can be used as a step by the child and cause the child to fall out of the window.
- **WARNING!** Be aware of the risk of open fires and other sources of strong heat in the vicinity of the product.
- **WARNING!** DO NOT place this product near a window where cords from blinds or curtains could strangle a child.
- **WARNING!** DO NOT allow children to climb or stand on the organiser.

### 3. Parts List

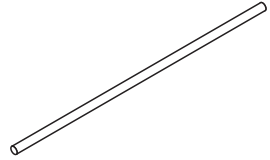
A



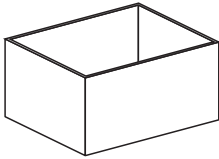
B



C



D



E



#### Contained in your carton are:

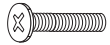
Nº	Part	Qty
A	Left panel	1
B	Right panel	1
C	Bars	9
D	Storage boxes	9
E	Bolts	18

NOTE. Cross headed screwdriver required (not included)

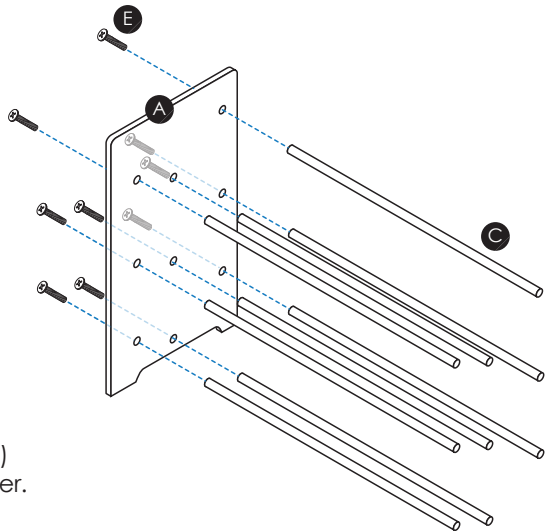
# 4. Assembly

## 4.1. FRAME ASSEMBLY

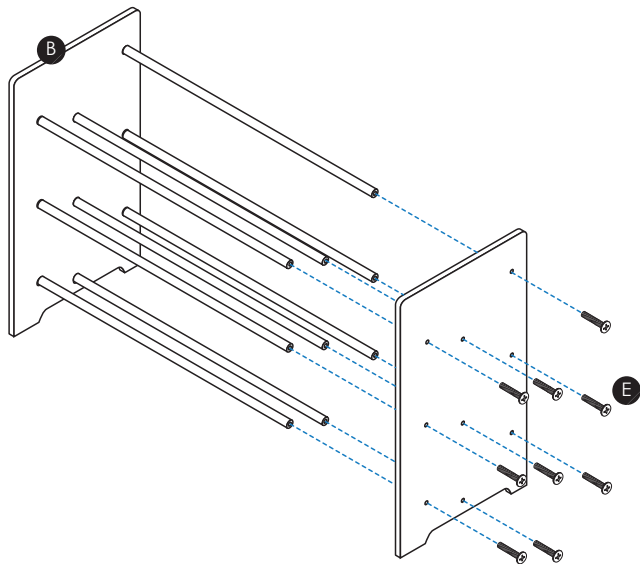
Secure the bars (C) to the left side panel (A) with bolts (E) and a screwdriver.



x18



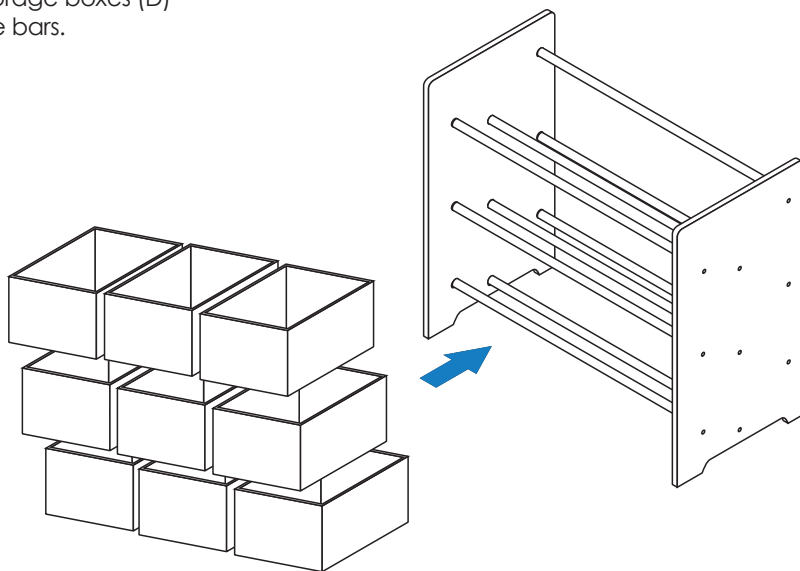
Secure the right side panel (B) with bolts (E) and a screwdriver.



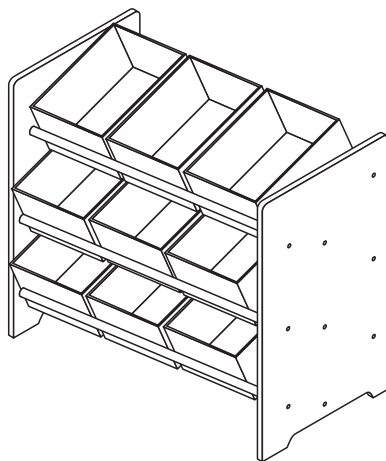
## 4. Assembly

### 4.2. STORAGE BOX ASSEMBLY

Place the storage boxes (D) on top of the bars.



### 4.3. COMPLETED ASSEMBLY



## 5. Care and Maintenance

### 5.1. CLEANING

- Wipe clean fabrics, plastics, metals and wood with a damp cloth.
- Never clean any part of the product with abrasive, ammonia based, bleach based or spirit type cleaners.
- Ensure the product is fully dry before use or storage.
- Always ensure the product is stored in a dry place to prevent mold or mildew developing.



### 5.2. MAINTENANCE

- The product requires regular maintenance to ensure correct and safe performance.
- Do not use this product if any part is broken, torn or missing and use only spares provided by the manufacturer.
- Regularly check that any fixings are not working loose and tighten where applicable.
- Store product in a dry location away from any heat sources, and not in the sun.





If you have any questions or concerns regarding this product,  
do not hesitate to contact our expert team online  
via [online4baby.com/contact-us](https://www.online4baby.com/contact-us)

Feeling social?    
[online4baby.com](https://www.online4baby.com)

Imported by Online4baby Ltd,  
Meadowbank, Tweedale Way, Oldham, OL9 8EH