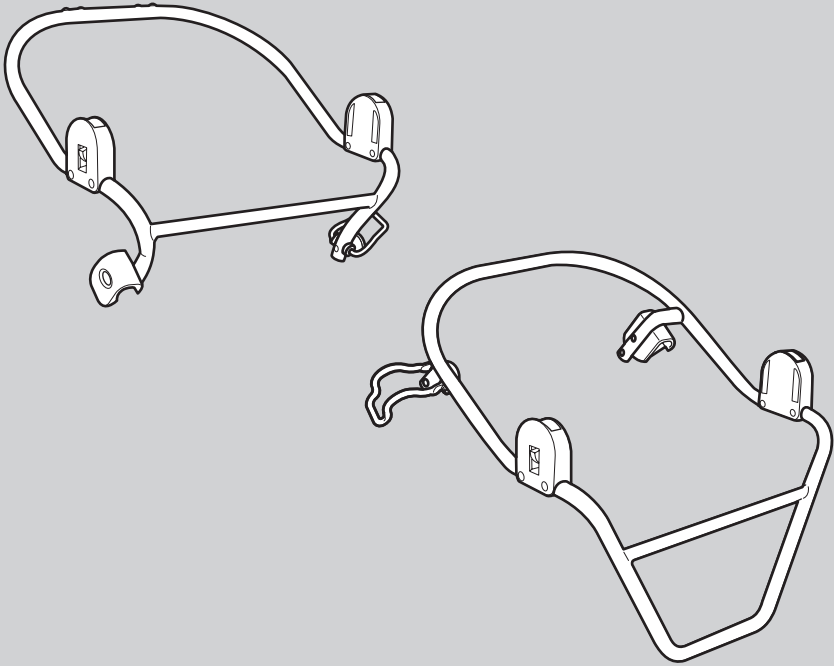


Slimline Twin Duo Car Seat Adaptors

Instruction manual



IMPORTANT: READ CAREFULLY AND KEEP FOR FUTURE REFERENCE.

Suitable for children from: BIRTH up to 13kg

This product is tested to: BS EN 1888-1:2018+A1:2022

Safety instructions

IMPORTANT: Keep these instructions for future reference.

- The car seat is intended for children from birth to a maximum weight of 13kg.
- **WARNING:** Never leave your child unattended.
- **WARNING:** This product is not suitable for running or skating.
- **WARNING! NEVER** use the lower-right-adaptor on its own.
- **ALWAYS** use the lower-right-adaptor in combination with the upper-left-adaptor.
- **WARNING!** Always ensure the stroller brakes are on before attaching or removing any attachments (i.e. Car seat adaptors, car seats etc).
- **WARNING! NEVER** attempt to attach or use the car seat in a forward facing position (facing away from the stroller handle).
- **WARNING!** DO NOT attempt to remove the car seat adaptors whilst a car seat is attached. **ALWAYS** remove the car seat before removing the car seat adaptors.

Care and maintenance

- Wipe clean with a mild detergent and warm water.
- DO NOT use bleach
- DO NOT use abrasive substances.

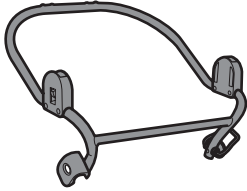
Welcome

Thank you for purchasing the Puggle Slimline Twin Duo Car Seat Adaptor. Please read the instructions and warnings carefully before use to ensure safe and satisfactory operation of this product.

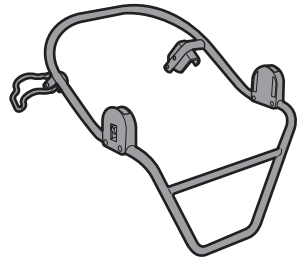
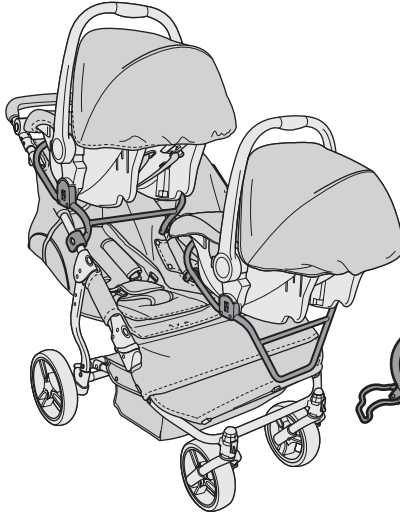
Your child's safety is your responsibility. If you have a query with this product or require replacement parts, please contact us at online4baby.com/contact-us.

Identifying your adaptor(s)

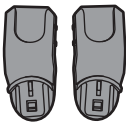
Using the diagram below: identify the adaptor(s) you have purchased and then follow the instructions for the adaptor(s) accordingly.



upper-left-adaptor



lower-right-adaptor



universal-adaptors

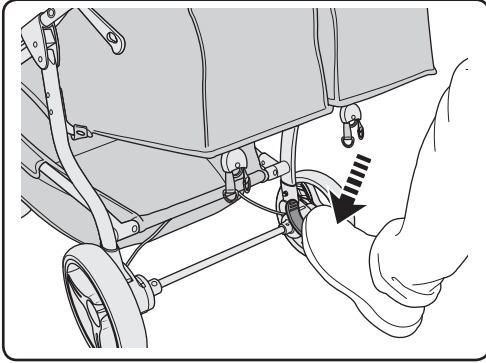
If you only want to use a single car seat on the Slimline Twin Duo Stroller, then you will need the upper-left-adaptor and one set of universal adaptors.

If you wish to use two car seats then you will need the upper-left-adaptor and the lower-right-adaptor and 2 sets of universal adaptors.

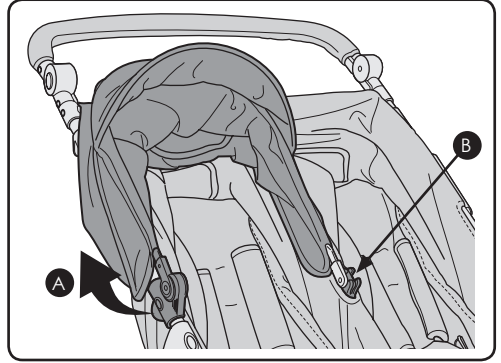
IMPORTANT: DO NOT use the lower-right-adaptor on its own. It **MUST ONLY** be used combined with the upper-left-adaptor.

ALWAYS use the upper-left-adaptor if you want to use just one car seat.

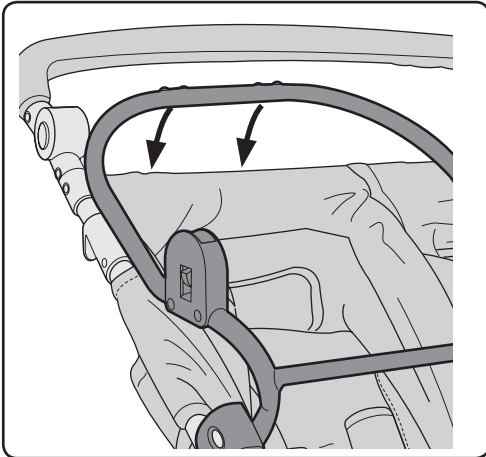
Attaching the upper-left-adaptor



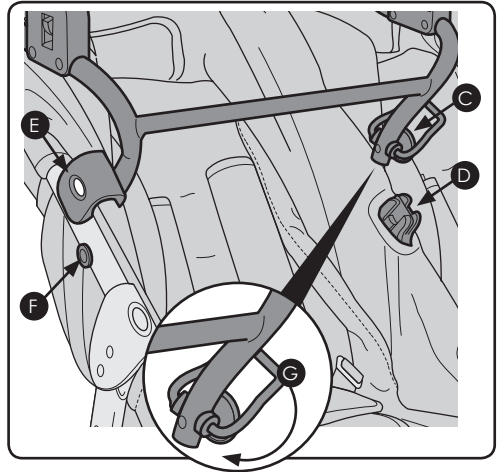
1. **Apply the brake:** Ensure the stroller brake is on and that the stroller cannot move.



2. **Remove the hood:** Unfasten the press studs on the back of the left-hand hood. Release the Velcro® tab attaching the hood to the frame. Unclip the hood-clip (A) and pull the round connector from the mounting point (B).



3. Place the two hooks on the car seat adaptor over the top of the stroller chassis.

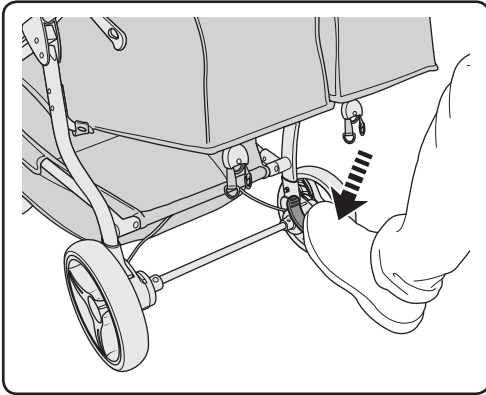


4. Push the round connector (C) into the mounting point (D). Connect clip (E) over the stud at point (F). Finally rotate the metal locking clip (G) down and around the stroller chassis **ENSURING** it clips in place.

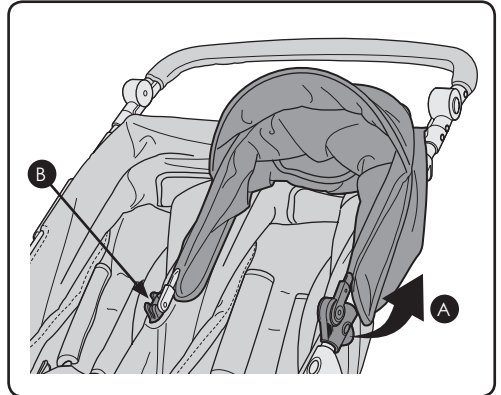
Pull the adaptor to check both sides are secured properly.

Attaching the lower-right-adaptor

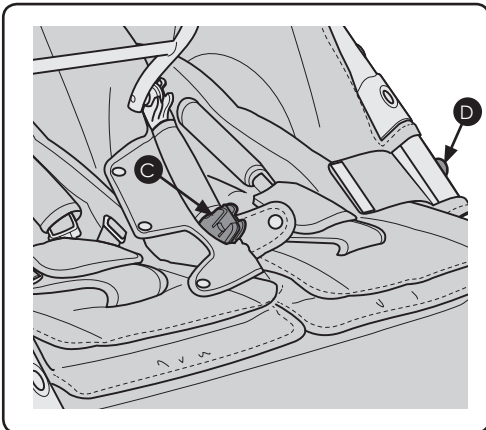
WARNING! NEVER use the lower-right-adaptor on its own. ALWAYS use the lower-right-adaptor in combination with the upper-left-adaptor.



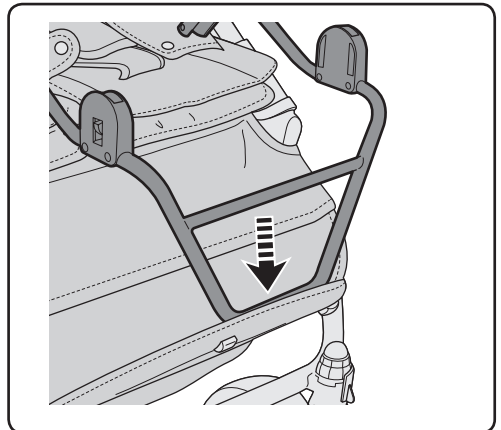
1. **Apply the brake:** Ensure the stroller brake is on and that the stroller cannot move.



2. **Remove the hood:** Unfasten the press studs on the back of the right-hand hood. Release the Velcro® tab attaching the hood to the frame. Unclip the hood-clip (A) and pull the round connector from the mounting point (B).

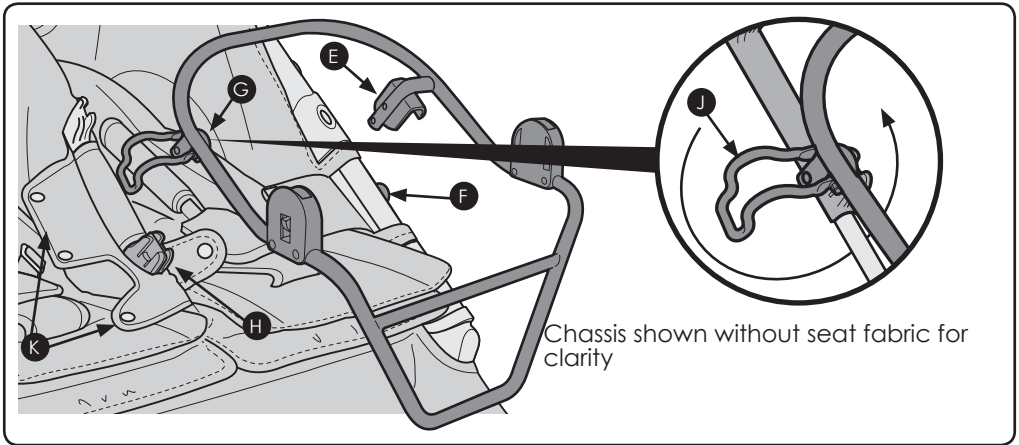


3. **Expose the two lower mounting points:** Unfasten the press stud on the fabric covering the lower-centre mounting point (C). Unfasten the Velcro flap covering the lower-right stud (D).



4. Place the bottom bar of the car seat adaptor onto the footrest of the stroller.

Attaching the lower-right-adaptor (continued)



4. Connect the plastic clip (E) over the lower-outer stud at point (F). Push the round connector (G) into the lower-centre mounting point (H). Rotate the metal locking clip (J) down and around the stroller chassis **ENSURING** it clips in place. Pull the car seat adaptor to check both sides are secured properly. Fasten flaps (K).

Attaching the car seat

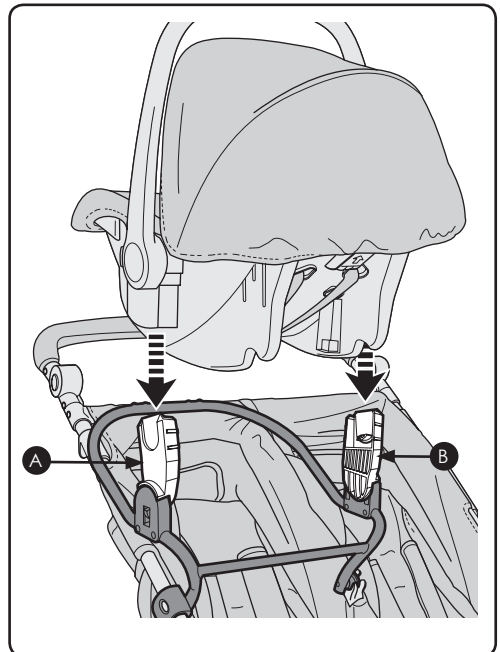
WARNING! NEVER use the lower-right-adaptor on its own. ALWAYS use the lower-right-adaptor in combination with the upper-left-adaptor.

WARNING! Always ensure the stroller brakes are on before attaching or removing any attachments (i.e. Car seat adaptors, car seats etc).

WARNING! NEVER attempt to attach or use the car seat in a forward facing position (facing away from the stroller handle).

Insert the two universal adaptors (A) and (B) ensuring that (A) is on the left and (B) is on the right as shown.

The car seat **MUST** be attached in the parent facing position so that it faces the stroller handle. Lower the car seat on to the adaptors (A) and (B) and push the seat down ensuring both adaptors click into place.



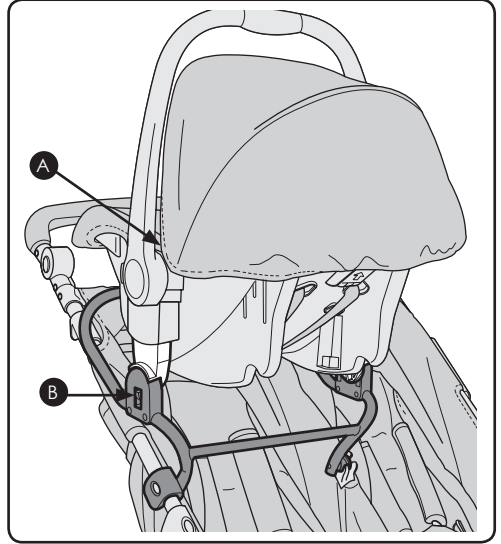
Removing the car seat

WARNING! Always ensure the stroller brakes are on before attaching or removing any attachments (i.e. Car seat adaptors, car seats etc).

Either release the car seat from the universal adaptors or remove the car seat and universal adaptors as one.

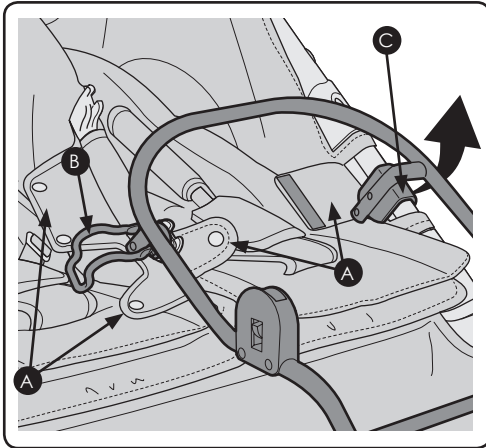
To remove just the car seat: press in button (A) located on both sides of the car seat and using the car seat handle lift the car seat free from the adaptor.

To remove car seat and universal adaptors: Push in button (B) on both sides of the car seat adaptor and using the car seat handle lift the car seat free from the adaptor.

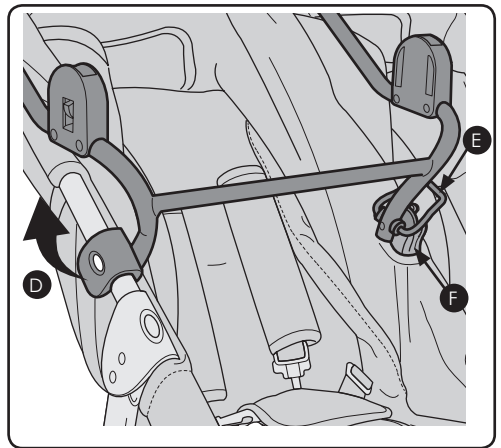


Removing the adaptors

WARNING! DO NOT attempt to remove the car seat adaptors whilst a car seat is attached. ALWAYS remove the car seat before removing the car seat adaptors.



1. Removing lower-right adaptor: Unfasten flaps (A), release metal locking clip (B), unclip plastic clip (C) and remove the car seat adaptor. Fasten flaps (A).



2. Removing upper-left adaptor: Unclip clip (D), release metal locking clip (E), pull the round connector from the mounting point (F) and remove the car seat adaptor.



If you have any questions or concerns regarding this product,
do not hesitate to contact our expert team online
via online4baby.com/contact-us

Feeling social?  
online4baby.com

Imported by Online4baby Ltd,
Meadowbank, Tweedale Way, Oldham, OL9 8EH