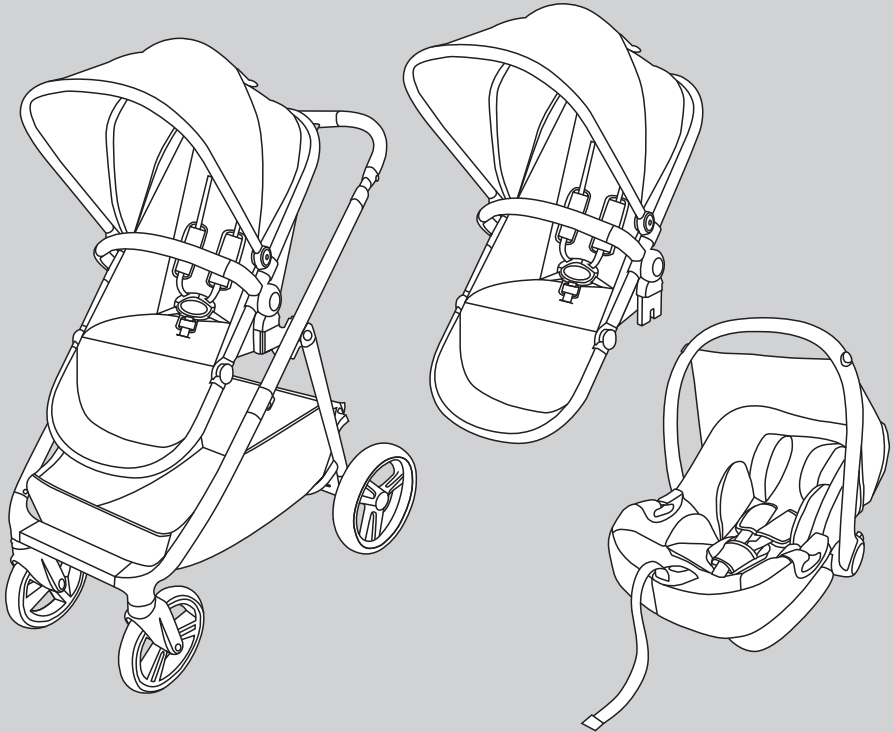


Memphis 2-in-1 Duo i-Size Travel System

Instruction manual



**IMPORTANT! READ CAREFULLY
AND KEEP FOR FUTURE REFERENCE.**

Warning: A child's safety is your responsibility.

This product is tested and approved to
BS EN1888-2:2018+A1:2022

1. Welcome

Thank you for purchasing the Puggle Memphis 2-in-1 Duo i-Size Travel System.

Please read the instructions and warnings carefully before use to ensure safe and satisfactory operation of your Puggle Memphis 2-in-1 Duo i-Size Travel System.

If you have a query with this product or require replacement parts, please contact Online4baby online at online4baby.com/contact-us.

2. Safety instructions

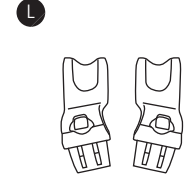
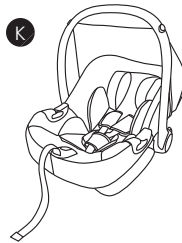
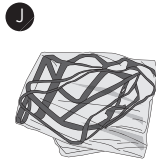
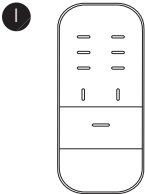
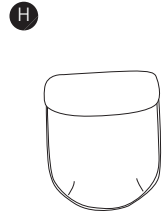
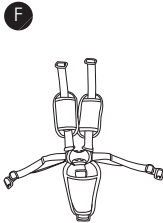
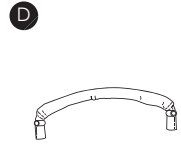
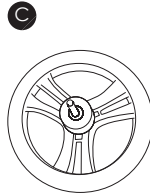
IMPORTANT! PLEASE READ THE FOLLOWING INSTRUCTIONS CAREFULLY BEFORE INSTALLING THE PRODUCT.

- **WARNING!** Keep for future reference. The child may be hurt if you do not follow these instructions.
- **WARNING!** A child's safety is your responsibility.
- **WARNING!** Before using, remove and dispose of any plastic bags and other packaging (e.g. fasteners, fixing ties, etc.) and keep them out of reach of children.
- **WARNING!** This product is suitable for one child from birth (max. weight 22kg or 4 years of age, whichever comes first).
- **WARNING!** Suitable from birth in pram mode up to a maximum weight of 9kg or until the child can sit up unaided, roll over or push itself up on its hands and knees.
- **WARNING!** Not suitable for children under 6 months in pushchair mode.
- **WARNING!** The overall load on the vehicle may not exceed 47kg (including the basket).
- **WARNING!** When using as a tandem, always attach the seat unit marked max loading 15kg in the lower seat position.
- **WARNING!** When using as a tandem, load primary child into the main seat first. After child is secured in the main seat, place second child into the lower seat. **DO NOT** place a child in the lower seat without a child in the main seat.
- **WARNING!** Follow suitability recommendations given in the separate infant car seat instruction manual.
- **WARNING!** Never leave the child unattended.
- **WARNING!** Ensure all locking devices are engaged before use.
- Always apply the parking brake when the product is stationary.
- Ensure the parking brake is engaged during the loading and unloading of the child.
- Take extra care in windy conditions.
- Be careful when going up or down kerbs.
- **WARNING!** To avoid injury ensure that your child is kept away when unfolding and folding this product.
- **WARNING!** Do not let your child play with this product.
- **WARNING!** ALWAYS USE THE HARNESS AS SOON AS YOUR CHILD CAN SIT UP UNAIDED.
- **WARNING!** Always use the crotch strap in combination with the waist belt section of the harness.
- **WARNING!** Check that the pram body or seat unit attachment devices are correctly engaged before use.

2. Safety instructions

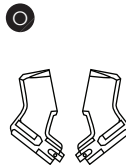
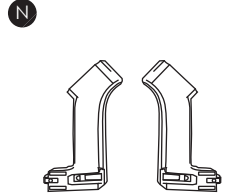
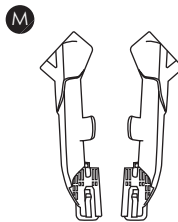
- **WARNING!** This product is not suitable for running or skating.
- **WARNING!** Do not let other children play or hang on the product.
- **WARNING!** Do not use this product if any part is broken, torn or missing.
- **WARNING!** Do not add an additional mattress to the pram/pushchair.
- **WARNING!** Do not place the product near an open fire or other source of strong heat.
- Adult assembly is required.
- Do not use parts or accessories which are not approved by the manufacturer.
- Do not allow your child to climb unassisted into the product.
- Remove your child and fold the product when going up or down escalators.
- If this product is used by someone unfamiliar with it e.g. grandparents, always show them how it works.
- The large basket for the carriage can carry a maximum load of 10kg with items evenly distributed.
- Additional bags and other items should not be hung from the handles as this can affect the stability of the product.
- Infant car seats should not be used in place of a cot or cot bed. Should your child need to sleep, it should be placed in a suitable cot or cot bed.
- Overloading, incorrect folding and the use of non-approved accessories is unsafe and may damage or break this product.
- Never leave the raincover, hood or apron on indoors, in a hot atmosphere or near a heat source as your child may overheat.
- To prevent damage, remove the raincover before folding the pushchair.
- Do not place anything on top of the raincover.
- This product conforms to BS EN1888-2:2018+A1:2022.

3. Parts List



Contained in your carton are:

Nº	Part	Qty
A	Chassis	1
B	Front wheels	2
C	Rear wheels	2
D	Bumper bar	2
E	Seat unit	2
F	Harness	2
G	Canopy	2
H	Apron	2
I	Seat liner	2
J	Raincover	2
K	i-Size infant carrier	1
L	Car seat adaptors (set)	1
M	Elevate adaptors (set)	1
N	Tandem adaptors (set)	1
O	Standard adaptors (set)	1

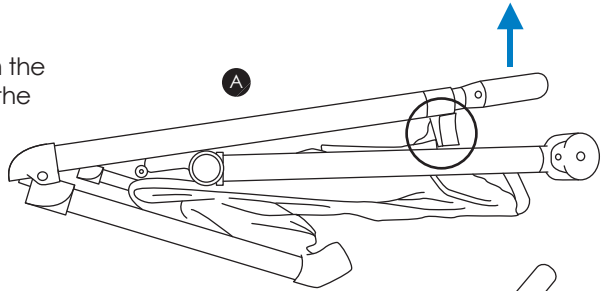


4. Assembly

4.1. CHASSIS ASSEMBLY

To release the chassis (A) from the locked folded position, undo the locking catch.

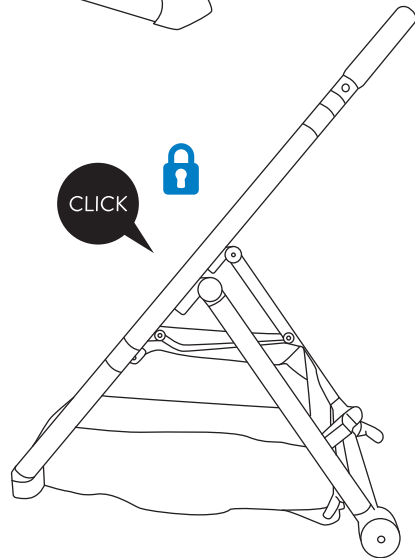
Lift the handle up to open the chassis.



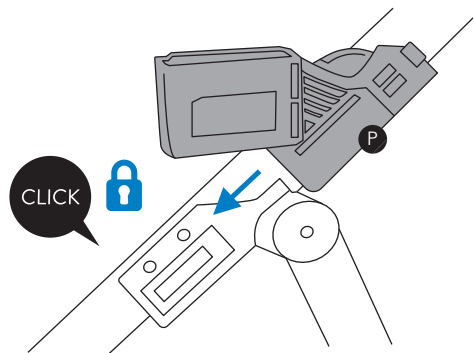
When the chassis is completely open, you will hear a "click" on both sides indicating it is locked into place.

WARNING!

Ensure the opened chassis is locked in place before you use it.



Slide the standard adaptors (P) downwards over the chassis connectors on both sides of the frame. Listen for a "click" to signal correct assembly.

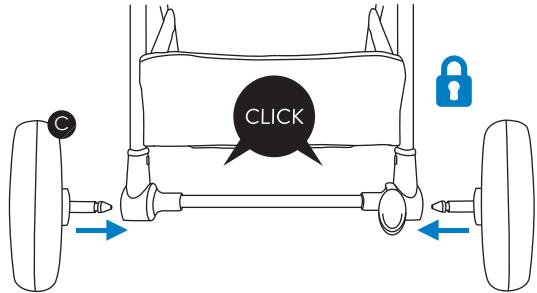


4. Assembly

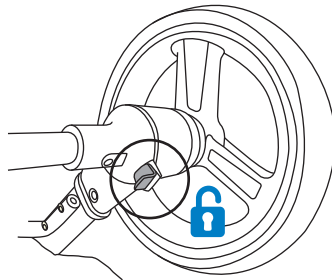
4.2. REAR WHEEL ASSEMBLY

Push each rear wheel (C) into the sides of the rear wheel axle until you hear a "click".

Give them a tug to ensure they are attached securely.



To remove the rear wheels, simply pull and hold the metal latch located underneath the rear wheel axle and pull the wheel out.

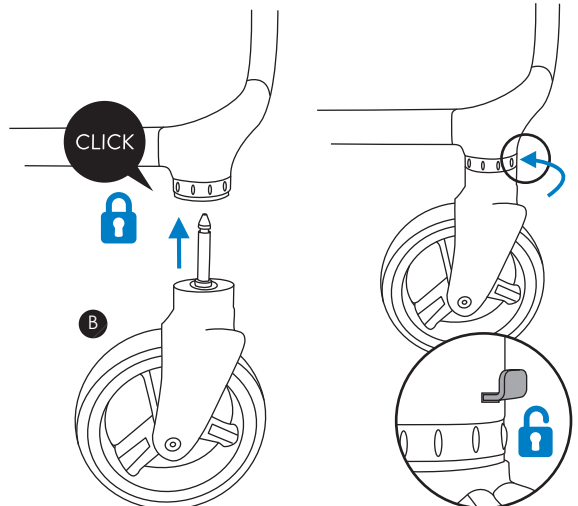


4.3. FRONT WHEEL ASSEMBLY

Insert each of the front wheel (B) pins into the centre of the socket until you hear a "click".

Give each wheel a firm tug to ensure they're securely attached.

To remove the front wheels, simply push and hold the latch at the back of the wheel socket and pull the wheel out.



5. Pram Mode

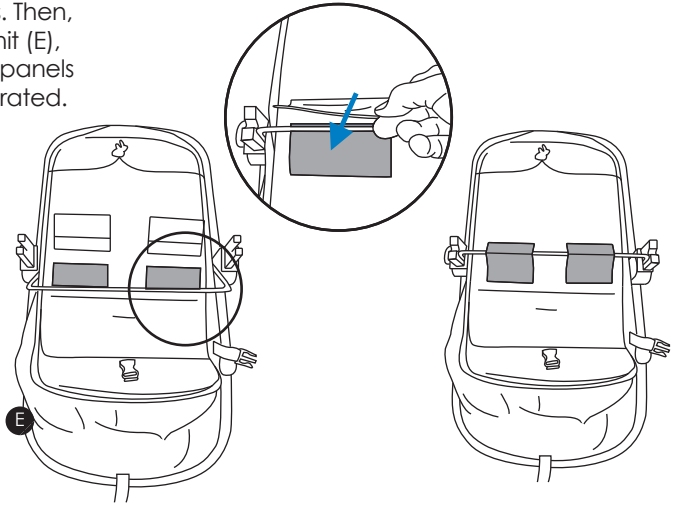
5.1. SEAT UNIT ASSEMBLY

Undo the fabric strap clips. Then, on the back of the seat unit (E), fasten the hook and loop panels over the metal bar as illustrated.



WARNING!

The fabric must cover the metal bracket.

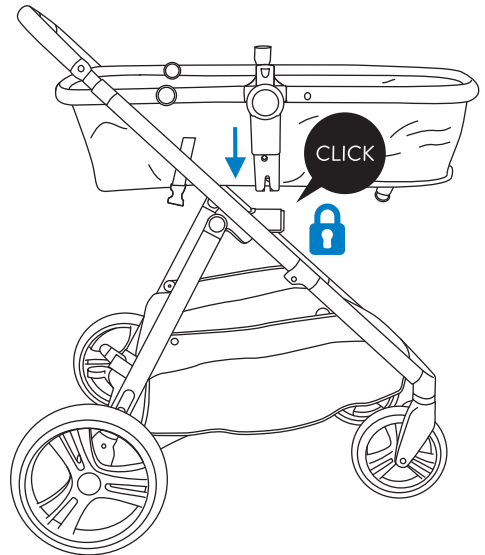


5.2.1. ATTACHING SEAT UNIT TO CHASSIS

Attach the seat unit to the chassis. Line up the seat connectors with the chassis housing and press downwards. Listen for a “click” to signal correct assembly.

Ensure the seat unit frame is completely straight by straightening the footrest adjusters on both sides.

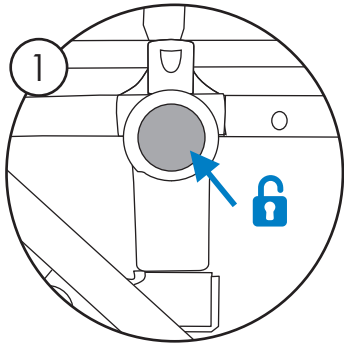
Ensure the seat unit is horizontal by using the lever at the end of the seat unit.



5. Pram Mode

5.2.2. DETACHING SEAT UNIT FROM CHASSIS

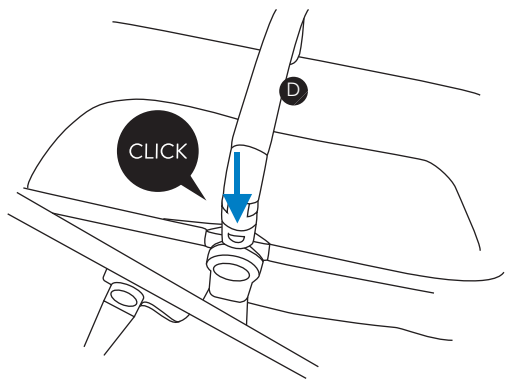
Press the buttons located both sides of the seat connectors and pull up to remove the seat unit from the chassis.



5.3. BUMPER BAR ASSEMBLY

Insert the bumper bar (D) into the seat unit slots ensuring that the release buttons are on the outside and you hear a "click" signalling correct assembly. Give the bumper bar a tug to ensure it's securely in place.

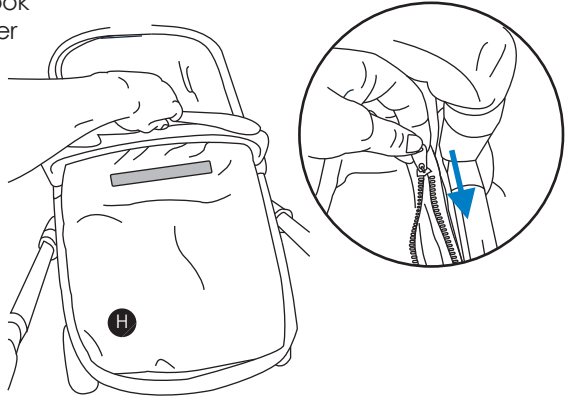
To remove the bumper bar, simply press the release buttons on either or both sides and lift up.



5. Pram Mode

5.4. APRON ASSEMBLY

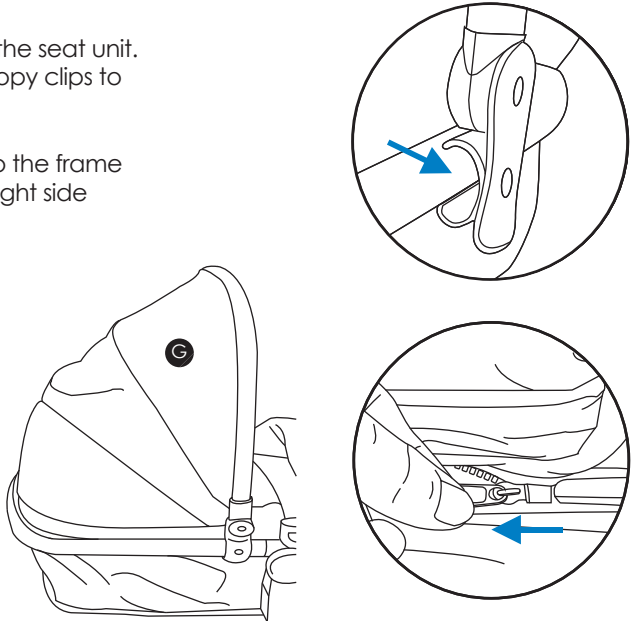
Fasten the apron (H), secure the zip around the side and attach the hook and loop fasteners over the bumper bar.



5.5. CANOPY ASSEMBLY

Attach the canopy (G) to the seat unit. First attach the plastic canopy clips to their respective sides.

Next, secure the canopy to the frame with the zip. Start with the right side (when facing the seat).



5. Pram Mode

5.6. USING PRAM MODE

Suitable from birth in pram mode up to a maximum weight of 9kg or until the child can sit up unaided, roll over or push itself up on its hands and knees.



WARNING!

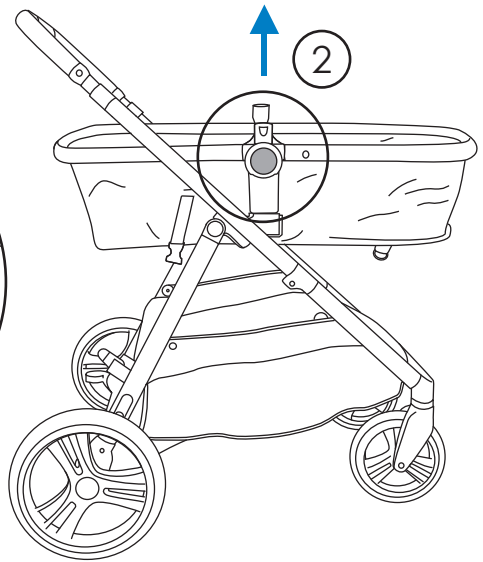
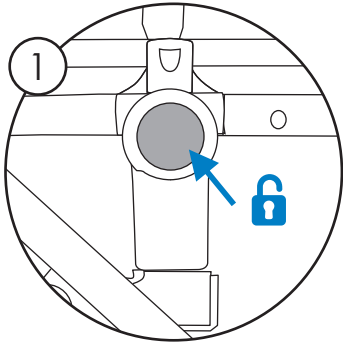
Never use in pram mode with seat unit forward facing.



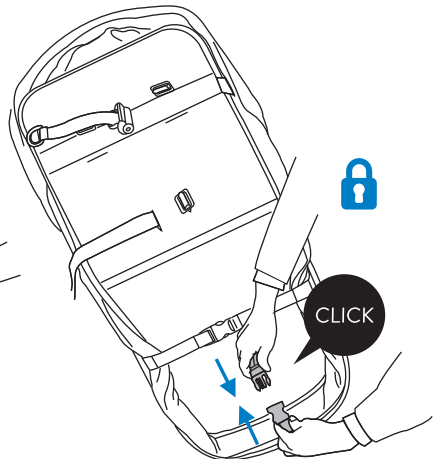
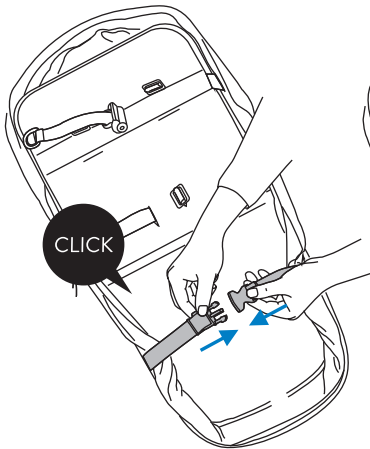
6. Pushchair Mode

6.1. CONVERTING THE SEAT UNIT

Press the buttons located both sides of the seat connectors and pull up to remove the seat unit from the chassis.



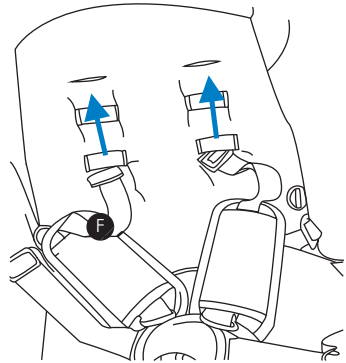
Fasten the webbing belts located on the rear side of the seat unit footrest. Listen for the "click" to signal buckles are secure.



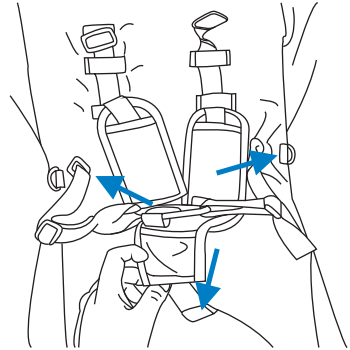
6. Pushchair Mode

6.2. HARNESS ASSEMBLY

Attach the harness (F) to the seat unit. Thread the shoulder strap retainers under the webbing holders and out through the horizontal slots in the seat unit backrest.



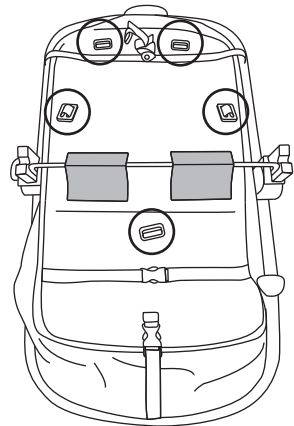
Thread the waist strap retainers through the vertical slots in the seat unit backrest and thread the crotch strap retainer through the horizontal slot at the centre of the seat unit.



WARNING!

Ensure the strap retainers are fully through and secure at the rear of the seat unit.

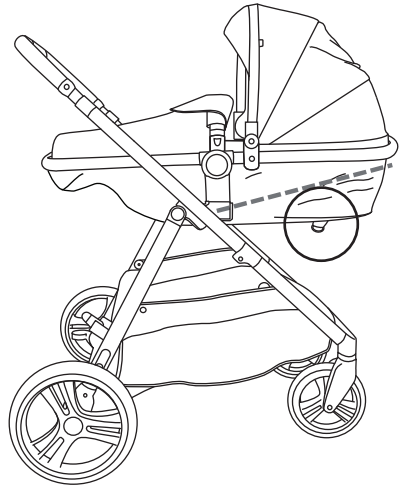
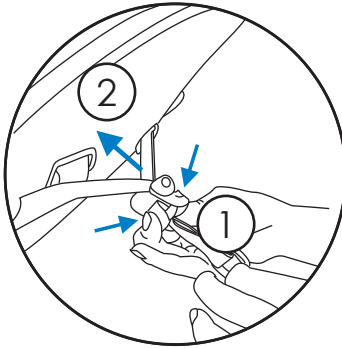
To remove reverse the above process.



6. Pushchair Mode

6.3. BACKREST ADJUSTMENT

Re-attach the seat unit to the chassis. Locate the backrest adjustment mechanism at the rear of the seat unit. Squeeze the clip on the reclining harness and gently pull up the backrest.

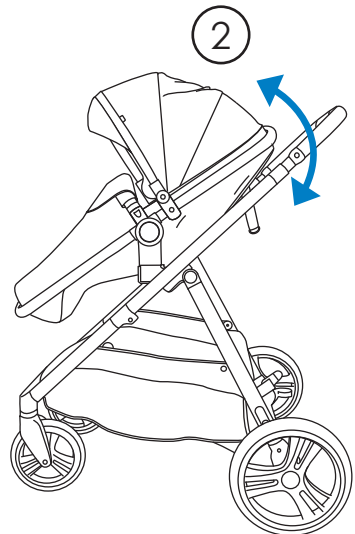
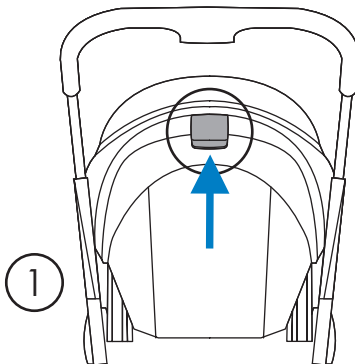


Lift the lever at the back of the seat unit to adjust the seat unit recline. Ensure you hear a "click" as the seat engages at your desired position.



WARNING!

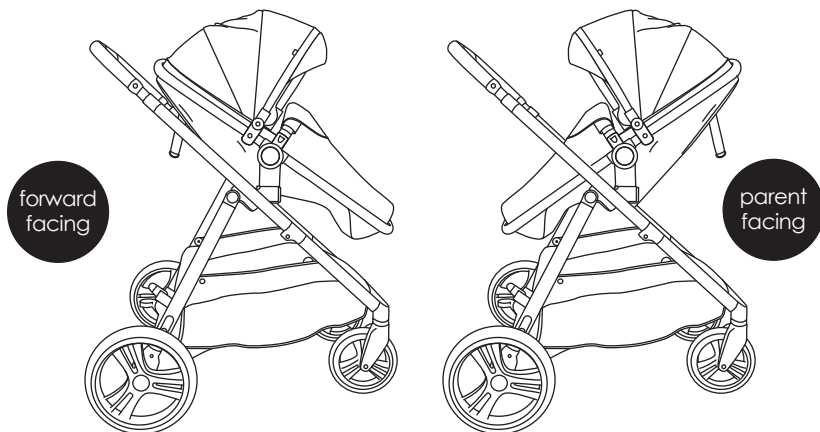
The seat unit is not suitable in pushchair mode for children under 6 months.



6. Pushchair Mode

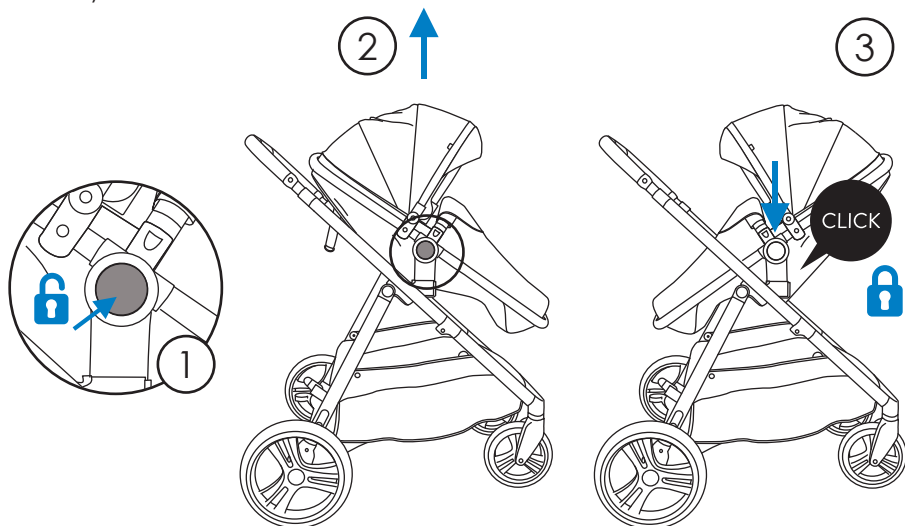
6.4. REVERSIBLE SEAT UNIT

The seat unit is reversible in pushchair mode. It can be forward or parent facing.



Press the buttons located both sides of the seat connectors and pull up to remove the seat unit from the chassis.

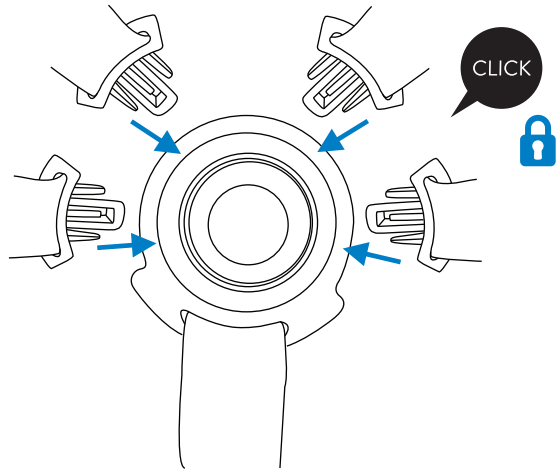
To re-attach the seat unit to the chassis, line up the seat connectors with the chassis housing and press downwards. Listen for a "click" to signal correct assembly.



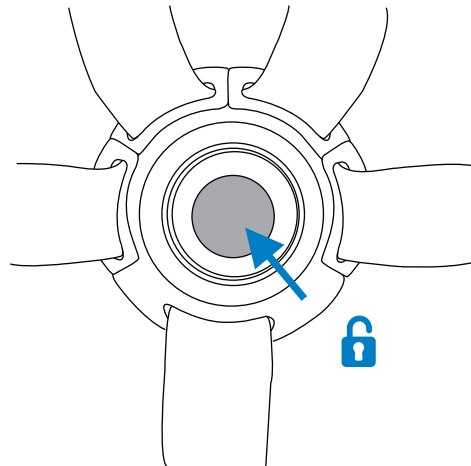
7. In Use - Pushchair Mode

7.1. HARNESS OPERATION

Insert all buckle clips into the buckle housing until they engage securely in place. Listen for the "click".



Press the centre button to release child from harness.



7. In Use - Pushchair Mode

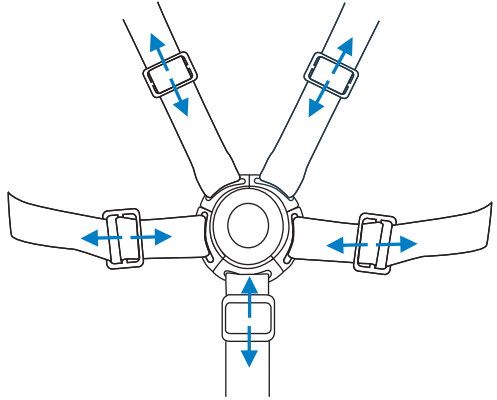
7.2. HARNESS ADJUSTMENT

To adjust the shoulder straps, move the slides as shown.



WARNING!

Always adjust the harness to fit your child correctly for their comfort and safety. A loose fitting harness can be very dangerous.

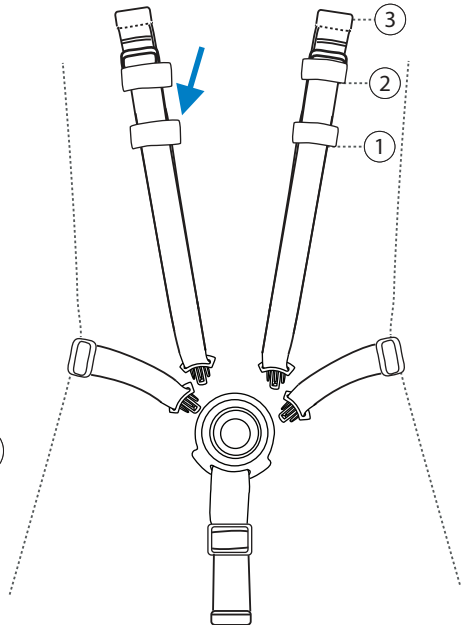
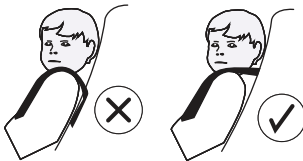


There are 3 shoulder height positions. Undo the harness and rethread to adjust the shoulder height.



WARNING!

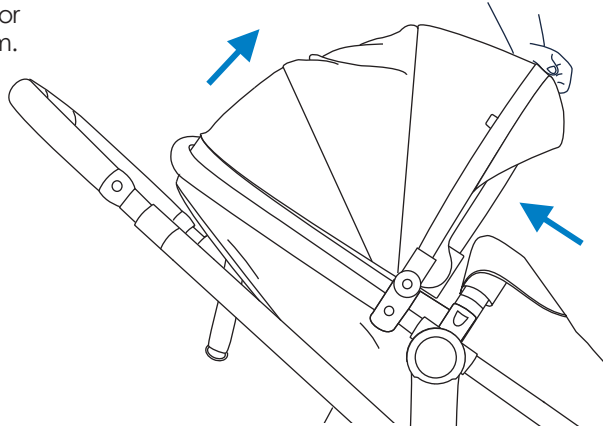
Always adjust the shoulder strap height according to baby height and ensure that both straps are at the same height.



7. In Use

7.3.1. THE CANOPY

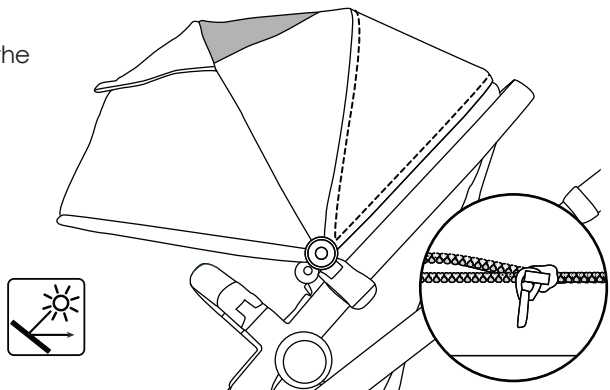
The canopy can be opened or closed by pulling forward or backward on the canopy rim.



7.3.2. THE CANOPY

The canopy features an extending panel for extra sun protection and a window to keep an eye on baby in forward facing position.

Unzip the canopy to reveal the extension panel and lift the flap to reveal the window.



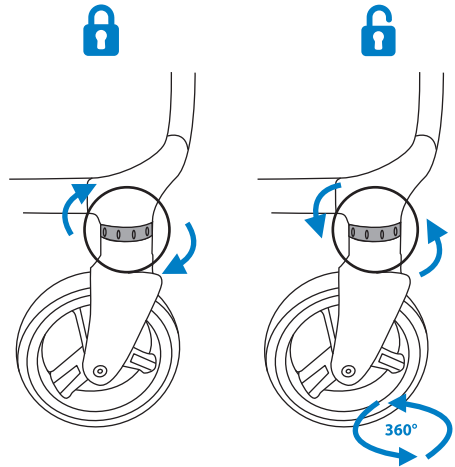
7. In Use

7.4. SWIVEL WHEELS

When travelling along straight surfaces or uneven terrain, the front wheels may spin.

To lock the front swivel wheels into place, twist the ridged locking mechanism at the top of the front wheels.

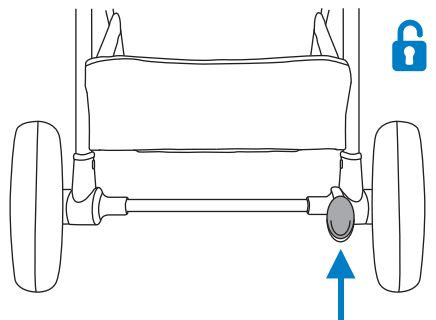
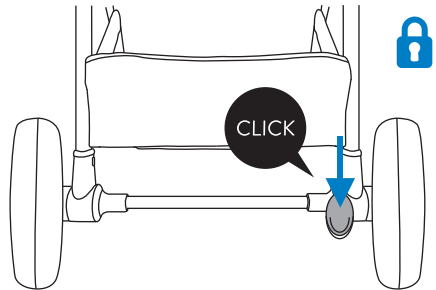
To go back to 360° swivel mode, twist the ridged locking mechanism at the top of the front wheels back.



7.5. BRAKES

Press down on the brake pedal on the rear axle to engage the brake. Listen for the “click” signalling that the brake is locked.

Push the brake pedal upwards to disengage the brake.



WARNING!

Always apply the parking brake when the pram is not moving.

WARNING!

Always apply the brake when you are placing and removing the child.

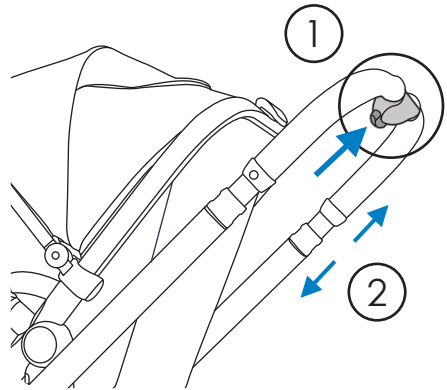
WARNING!

Always apply the brake when you are making adjustments to the pram (e.g. changing seat direction).

7. In Use

7.6. HANDLE ADJUSTMENT

Push the button in the middle of the handle bar and pull or push the handle to your desired height. The handle will “click” into place.



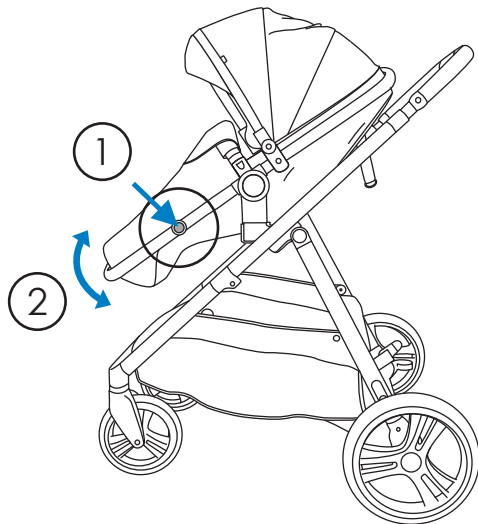
7.7. FOOTREST ADJUSTMENT

Press both footrest buttons simultaneously and adjust the footrest to the desired position. Listen for the “click” signalling that the footrest is locked into position.



WARNING!

DO NOT attempt to force the footrest position, only adjust using the buttons on both sides of the seat unit.

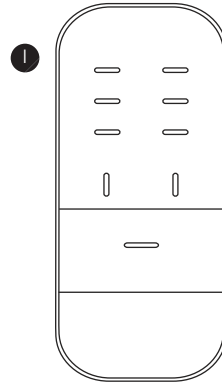


7. In Use - Pushchair Mode

7.8. SEAT LINER

There is a seat liner (I) included for the seat unit.

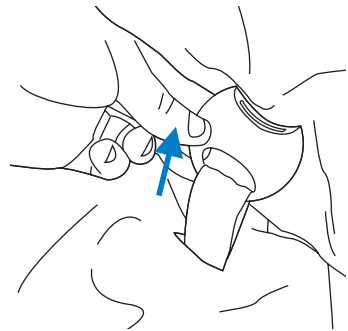
To fit, undo the harness and remove the chest pads and crotch pad.



Then thread the harness through the slots in the seat liner allocated for the waist, shoulder and crotch straps.

WARNING!

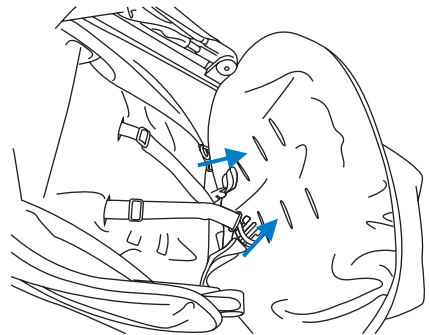
Ensure to thread the shoulder harness through the corresponding slot height of the seat unit.



WARNING!

Ensure the strap retainers are fully through and secure at the rear of the seat unit.

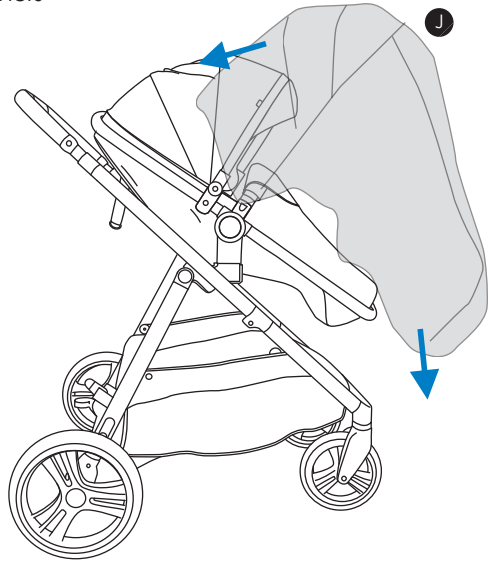
Re-attach the chest pads and the crotch pad. Repeat the process to remove the seat liner.



7. In Use

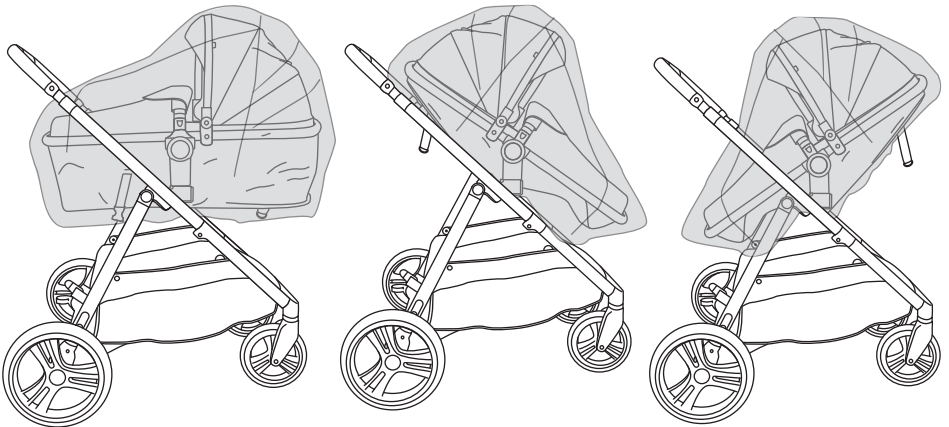
7.9. RAINCOVER

Locate the raincover (J). Pull the raincover down over the pram starting at the top of the canopy and pulling down towards the footrest. Fasten the hook and loop fasteners around the chassis to secure.



NOTE. The raincover will fit the seat unit in both pram and pushchair mode.

NOTE. There are two raincovers included for when using as a tandem stroller.



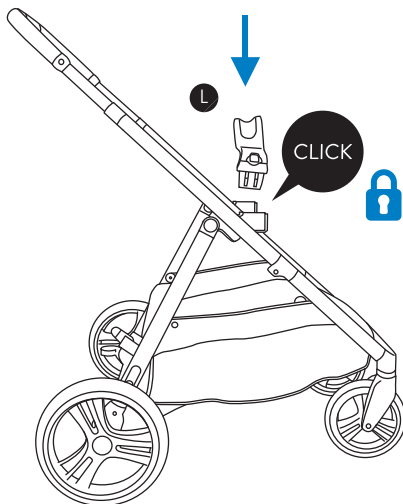
8. Travel System

8.1.1. ATTACHING CAR SEAT TO CHASSIS

A car seat (K) and set of car seat adaptors (L) are included to complete the travel system.

Remove the seat unit from the chassis to fit the car seat adaptors.

Line up the car seat adaptors with the standard adaptors on the chassis and press downwards. Listen for a “click” to signal correct assembly.



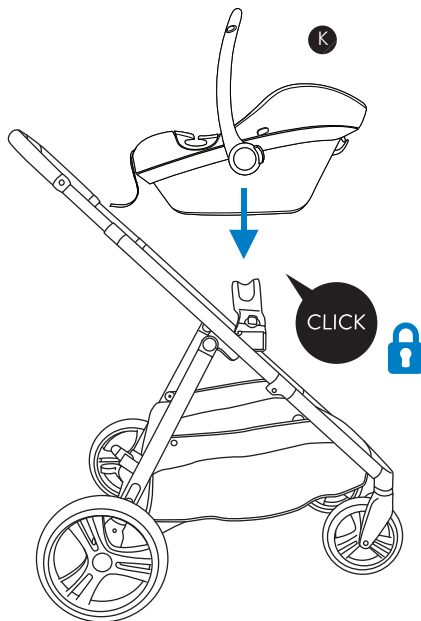
8.1.2. ATTACHING CAR SEAT TO CHASSIS

Place the car seat (K) onto the adaptors. Push down to “click” into place. Pull handle to ensure car seat is secure. Alternatively, attach the adaptors to the car seat first and then attach the car seat to the chassis.

WARNING!

Never attach the car seat forward facing.

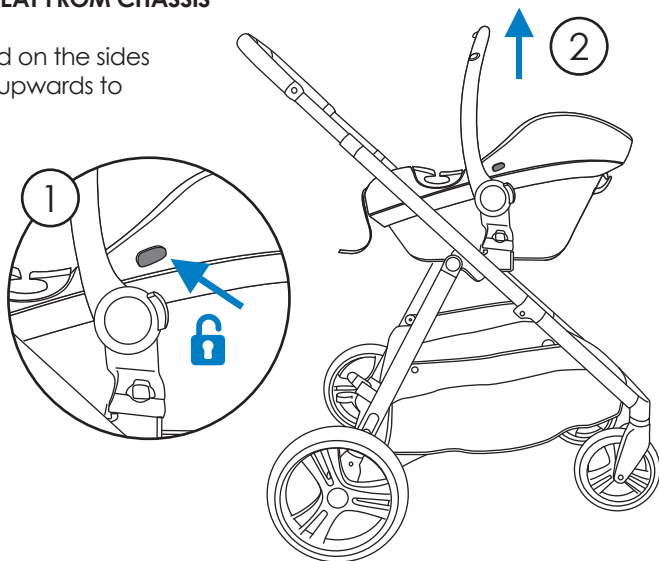
IMPORTANT: Refer to the car seat manual for full details of use.



8. Travel System

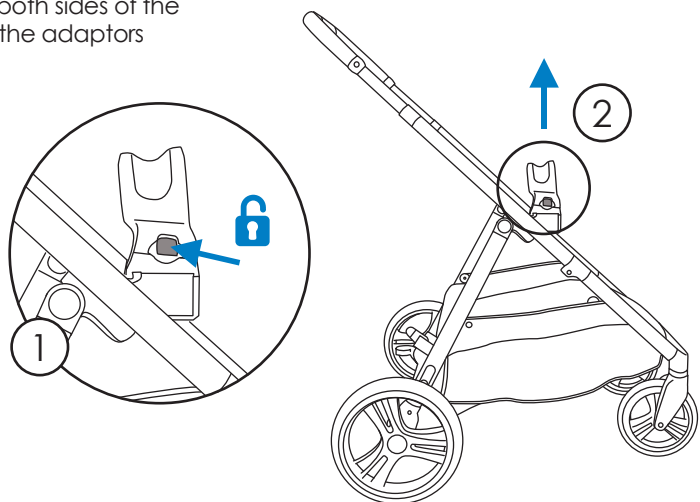
8.2.1. DETACHING CAR SEAT FROM CHASSIS

Press the buttons located on the sides of the car seat and pull upwards to remove.



8.2.2. DETACHING CAR SEAT FROM CHASSIS

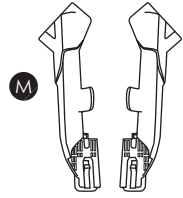
Press the buttons on both sides of the adaptors to remove the adaptors from the chassis.



9. Elevate Adaptors

9.1. ELEVATE ADAPTORS

A set of elevate adaptors (M) are included. When installed, they elevate the seat unit and infant carrier. They also allow more space for when using as a tandem stroller.



no
elevate
adaptors

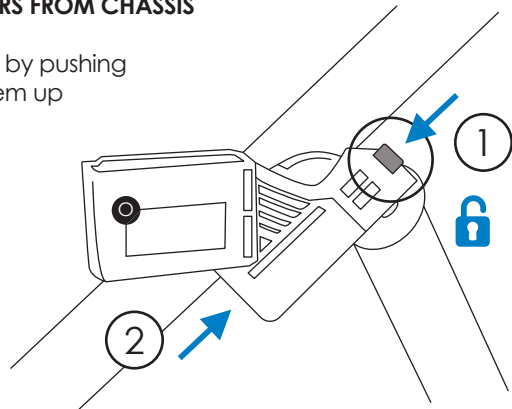


with
elevate
adaptors



9.2. REMOVING STANDARD ADAPTORS FROM CHASSIS

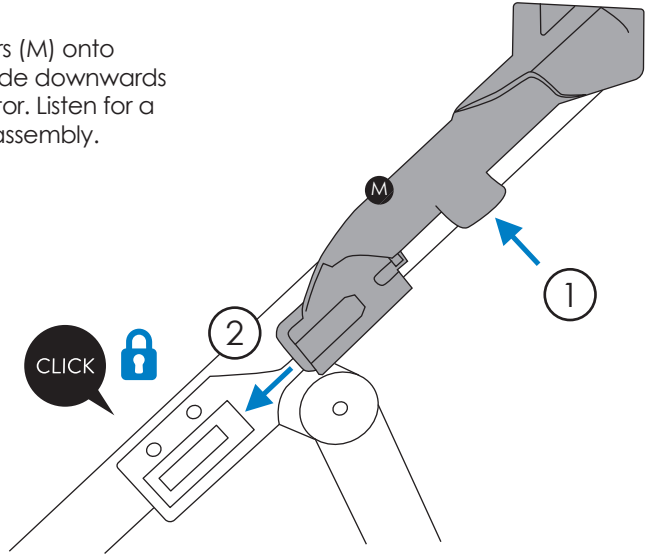
Remove the standard adaptors (O) by pushing the top button down and sliding them up off the chassis frame.



9. Elevate Adaptors

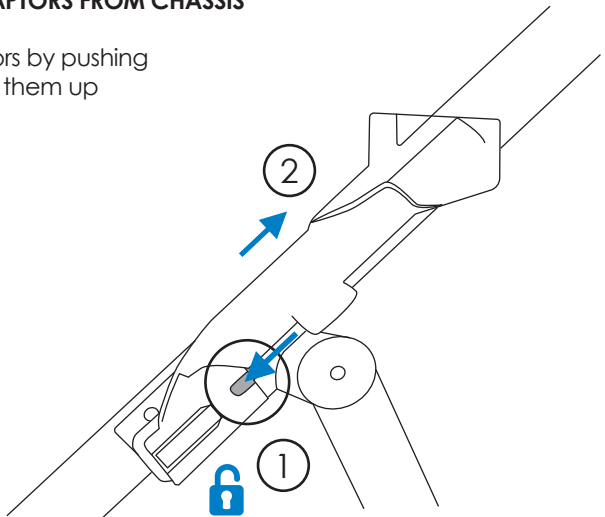
9.3. ATTACHING ELEVATE ADAPTORS TO CHASSIS

Clip the elevate adaptors (M) onto the chassis frame then slide downwards over the chassis connector. Listen for a "click" to signal correct assembly.



9.4. REMOVING ELEVATE ADAPTORS FROM CHASSIS

Remove the elevate adaptors by pushing the button down and sliding them up off the chassis frame.

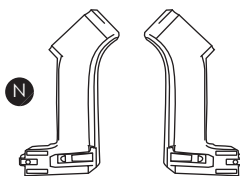


10. Tandem Adaptors

10.1. TANDEM ADAPTORS

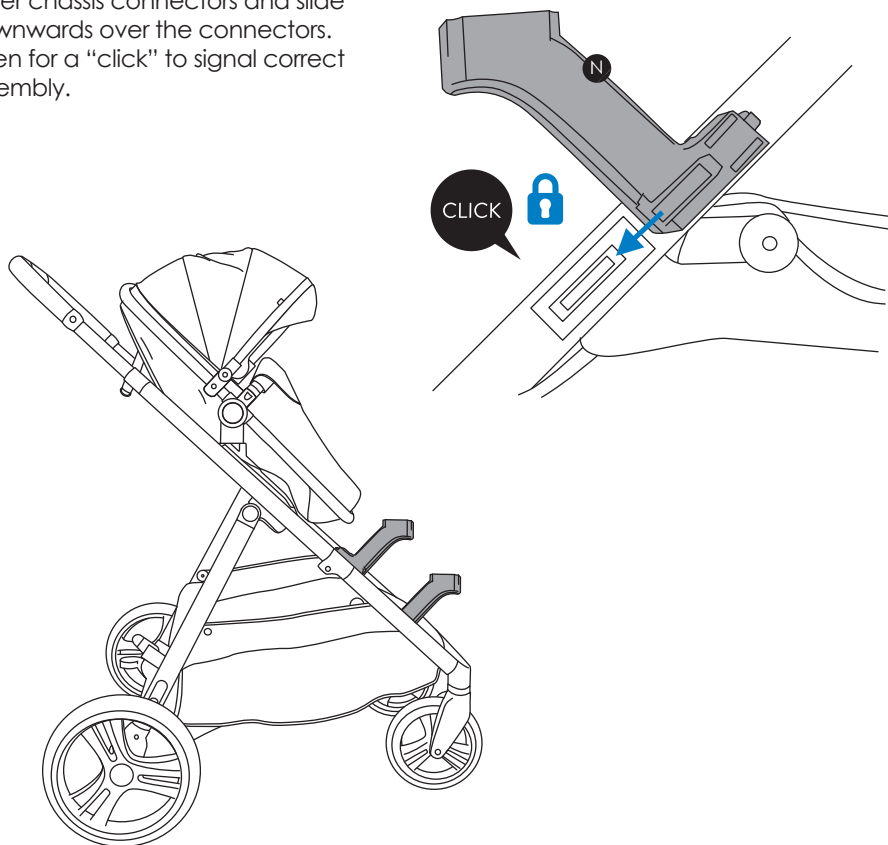
A set of tandem adaptors (N) are included to convert your single stroller into a tandem.

NOTE. When using as a tandem stroller, you must also always use the elevate adaptors.



10.2. ATTACHING TANDEM ADAPTORS TO CHASSIS

Line up the tandem adaptors with the lower chassis connectors and slide downwards over the connectors. Listen for a "click" to signal correct assembly.



10. Tandem Adaptors

10.3. USING AS A TANDEM STROLLER

The stroller can be used as a tandem with the two seat units and infant carrier included.

NOTE. If only one seat unit is converted to pram mode it must be on the bottom of the chassis.

WARNING!

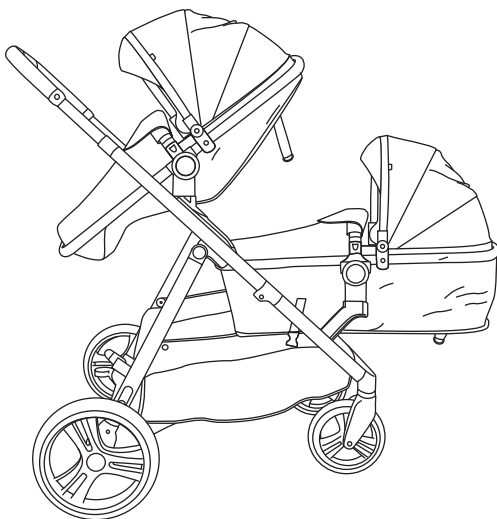
When using as a tandem, always attach the seat unit marked max loading 15kg in the lower seat position.

WARNING!

When using as a tandem, load primary child into the main seat first. After child is secured in the main seat, place second child into the lower seat.

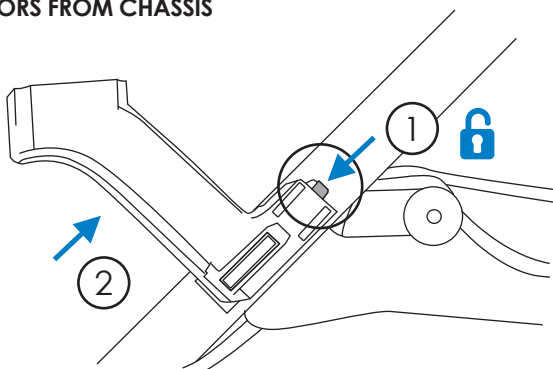
WARNING!

DO NOT place a child in the lower seat without a child in the main seat.



10.4. REMOVING TANDEM ADAPTORS FROM CHASSIS

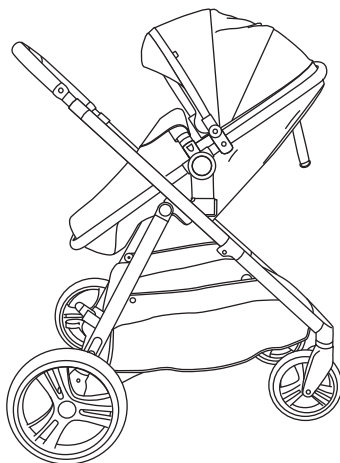
Remove the tandem adaptors by pushing the button down and sliding them up off the chassis frame.



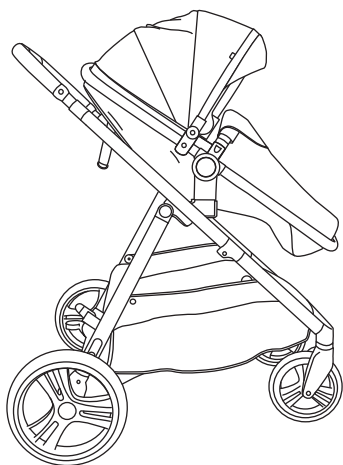
11. Pram/Pushchair Configurations



Pram unit x 1
Chassis x 1



Seat unit x 1 (parent facing)
Chassis x 1



Seat unit x 1 (forward facing)
Chassis x 1

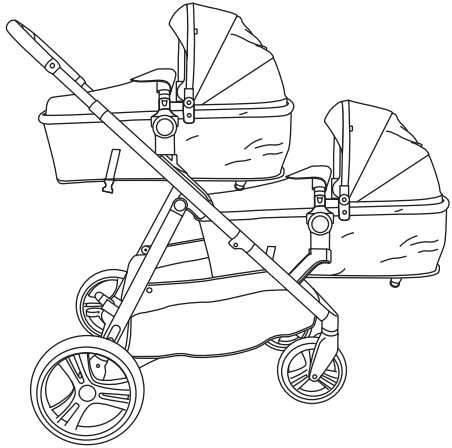


Infant carrier x 1
Car seat adaptors x 1 set
Chassis x 1

11. Pram/Pushchair Configurations



Seat unit x 1 + Pram unit x 1
Elevate adaptors x 1 set
Tandem adaptors x 1 set
Chassis x 1



Pram unit x 2
Elevate adaptors x 1 set
Tandem adaptors x 1 set
Chassis x 1



Seat unit x 2
Elevate adaptors x 1 set
Tandem adaptors x 1 set
Chassis x 1



Seat unit x 2
Elevate adaptors x 1 set
Tandem adaptors x 1 set
Chassis x 1

11. Pram/Pushchair Configurations



Seat unit x 2
Elevate adaptors x 1 set
Tandem adaptors x 1 set
Chassis x 1



Seat unit x 2
Elevate adaptors x 1 set
Tandem adaptors x 1 set
Chassis x 1



Infant carrier x 1 + Pram unit x 1
Elevate adaptors x 1 set
Tandem adaptors x 1 set
Car seat adaptors x 1 set
Chassis x 1



Infant carrier x 1 + Seat unit x 1
Elevate adaptors x 1 set
Tandem adaptors x 1 set
Car seat adaptors x 1 set
Chassis x 1

11. Pram/Pushchair Configurations



Infant carrier x 2
(2nd infant carrier sold separately)
Elevate adaptors x 1 set
Tandem adaptors x 1 set
Car seat adaptors x 2 sets
(2nd car seat adaptor set sold separately)
Chassis x 1

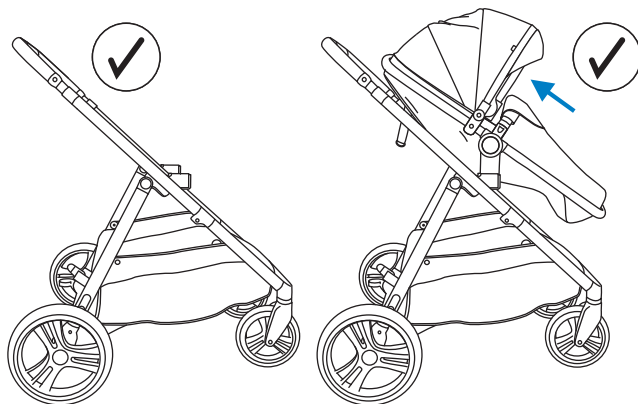
12. Folding

12.1. REMOVE THE SEAT UNIT AND CAR SEAT

For a more compact fold, remove the seat unit/s before folding. Otherwise, the chassis can only fold with one seat unit assembled forward facing.

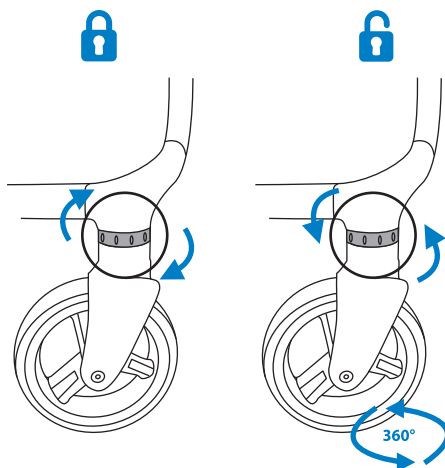
NEVER fold chassis with the car seat attached.

ALWAYS fold the canopy, apply the brakes, and lower handle to the shortest height before folding.



12.2. UNLOCK SWIVEL WHEELS

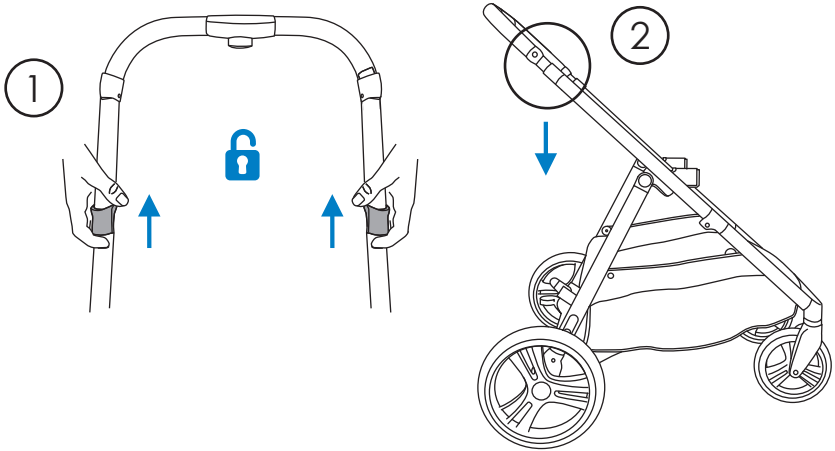
If the swivel wheels are locked, twist the ridged locking mechanism at the top of the front wheels to unlock. This will ensure the wheels can move and do not touch the bar when the chassis is folded.



12. Folding

12.3. FOLDING THE CHASSIS

Pull both release triggers towards you and push handle downwards to fold the chassis.



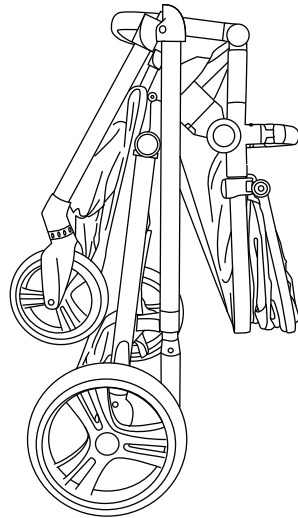
12.4. COMPACT FOLD

If the seat unit is assembled, adjust the footrest for a more compact fold.



WARNING!

To avoid injury ensure that your child is kept away when unfolding and folding this product.



13. Care and Maintenance

13.1. CLEANING

- Spot or sponge clean fabrics with mild detergent. Use mild soap or upholstery shampoo. NEVER use bleach. Dry in shade thoroughly before reuse and avoid direct heat and sunlight. Do not iron. Do not dry clean.
- Wipe clean plastics and metals with a damp cloth.
- Never clean any part of the product with abrasive, ammonia based, bleach based or spirit type cleaners.
- Ensure the product is fully dry before use or storage.
- Always ensure the product is stored in a dry place to prevent mold or mildew developing.

13.2. MAINTENANCE

- The product requires regular maintenance to ensure correct and safe performance.
- Regularly inspect the wheels, locks, brakes, harness, catches, seat adjusters, joints and fixings to ensure they are clean, operating correctly and in full working order.
- Replace tyres if they are excessively worn.
- Do not use this product if any part is broken, torn or missing and use only spares provided by the manufacturer.
- If parts become stiff or difficult to operate, ensure dirt is not the cause, then try a light application of a silicon lubricant, ensuring it penetrates between the components. Regular lubrication of moving parts will extend the life of your product and make opening and folding easier.
- After exposure to damp conditions, dry off with a soft cloth and leave fully open in a warm environment. Storing damp will encourage mildew to form.
- Store in a dry place.
- Do not leave in sunlight for prolonged periods as some fabrics may fade.



If you have any questions or concerns regarding this product,
do not hesitate to contact our expert team online
via online4baby.com/contact-us

Feeling social?  
online4baby.com

Imported by Online4baby Ltd,
Meadowbank, Tweedale Way, Oldham, OL9 8EH