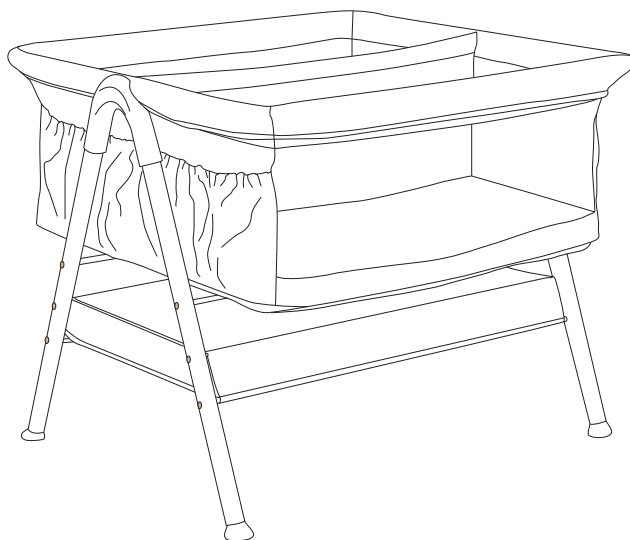


PUGGLE



Dreamy Bedside Crib

Instruction Manual

Welcome

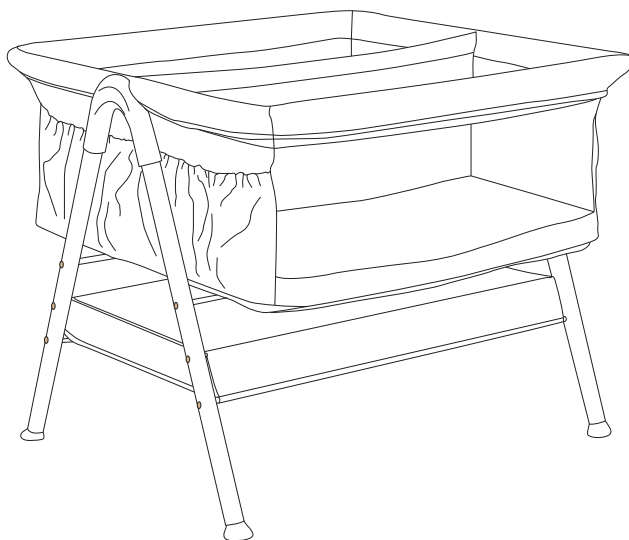
Thank you for purchasing the Puggle Dreamy Twin Crib.

This instruction manual will guide you through the setup, use, and maintenance of your new crib, ensuring you get the most out of its versatile features. Please read through the following information and safety warnings carefully to fully understand and enjoy all the benefits your crib has to offer, and to ensure its safe operation.

We're here to help!

If you have a query with this product or require replacement parts, please contact us at:
support@pugglebaby.co.uk

Important Information



IMPORTANT! Your Dreamy Twin Crib may differ slightly from images shown above and throughout, as the images are for illustration purposes only.

Your Dreamy Twin Crib is tested to comply with EN 1130:2019 and EN 16890:2017.

- **DO NOT** use parts or accessories which are not approved or supplied by the manufacturer.

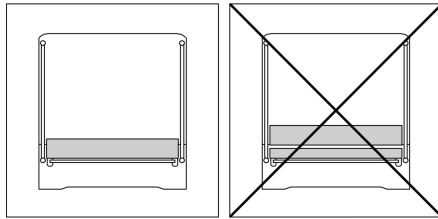
Safety Instructions

IMPORTANT - Read the instructions carefully before use and keep for future reference.

- **WARNING:** This product is intended for use for babies aged between 0 and 6 months, weighing up to a maximum of 9kg.
- **WARNING:** When a child is able to sit, kneel or to pull itself up, the crib shall not be used anymore for this child.
- **WARNING:** DO NOT use the product if any part is broken, torn or missing.
- **WARNING:** Be aware of the risk of burning cigarettes, open fires and other sources of strong heat, such as electric bar fires, gas fires etc. near the crib.

Warning

- **WARNING:** Before assembly, check that the product and all of its components have not been damaged during transportation. Should any part be damaged, do not use and keep out of reach of children.
- **WARNING:** Make sure the users of this product are knowledgeable on its proper operation.
- **WARNING:** The product is ready for use only when all locking mechanisms are engaged. Check carefully that these are engaged before use.
- **WARNING:** Placing additional items in the product may cause suffocation.
- **WARNING:** Do not place the product close to another product, which could present a danger of suffocation or strangulation, e.g. strings, blind/curtain cords, etc.
- **WARNING:** The product must always be placed on a horizontal surface. Never leave the product on an inclined surface with the child inside of it.
- **WARNING:** Children must not be permitted to play without supervision near the product.
- **WARNING:** Do not use the product without the frame.
- **WARNING:** Only use the mattress sold with this crib. DO NOT add a second mattress on top of this one - suffocation hazards.
- **WARNING:** Do not use more than one mattress in one side of the product.



- **WARNING:** The mattress length and width shall be such that the maximum gap between the mattress and the crib sides and ends does not exceed 30mm.
- Mattress size: 820 x 410 x 20mm.
- **WARNING:** The thickness of the mattress must be such that the vertical height (upper surface of the mattress until the upper edge of the product's sides) is at least 200mm.
- **WARNING:** The reference mark on the product's interior indicates the maximum thickness of the mattress that shall be used.
- **WARNING:** Do not leave any object inside the product that could reduce its depth.
- **WARNING:** Do not position the product near walls and obstacles to prevent trapping hazards.
- **WARNING:** Do not leave small objects inside the product to prevent choking hazards.
- **WARNING:** Use only spare parts approved by the manufacturer. Do not apply accessories to the product, which are not supplied by the manufacturer.
- **WARNING:** Do not adjust the product with the child inside.
- **WARNING:** Do not move the product with the child inside.

Warning

- **WARNING:** The product must be kept away from electric cables and cords: do not place the product near windows where cords, curtains or similar objects could pose choking or strangling hazards for the child. To avoid strangling hazards, do not give to your child or place near her/him, objects equipped with cords.
- **WARNING:** All assembly fittings should be tightened properly and care should be taken to ensure no screws are loose, as a child could trap parts of the body or clothing e.g. strings, necklaces, ribbons etc. which could pose a risk of strangulation.
- **WARNING:** A prolonged exposure to the sun may cause changes of tones to the product's colour. After a prolonged exposure of the product to high temperatures, wait a few minutes prior to placing your child in it.
- **WARNING:** When not in use, keep the product away from the reach of children.

Symbols And Their Meaning

There are a number of symbols used through this manual, please find below breakdown of what each symbol is and what it means.



Direction indicator showing direction of assembly, rotation, function.



Indicates if product is locked or unlocked



Indicates if step is incorrect or correct

Before Assembly

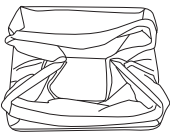
Before assembly, please ensure that you have read and understood the instructions. Then carefully unpack your crib and ensure that all parts are present. Please see parts list as follows.

What's in the box

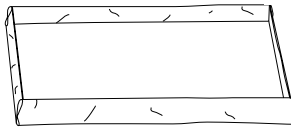
- x1 Puggle Dreamy Twin Crib
- x1 Instruction Manual

Parts List

A



B



C



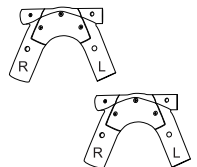
D



E

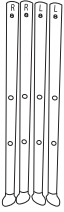


F

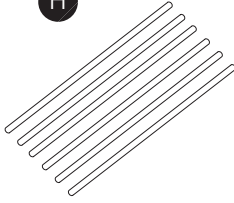


Parts List

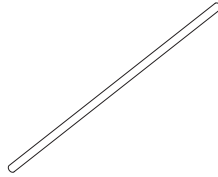
G



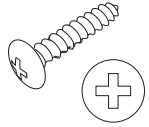
H



I



J

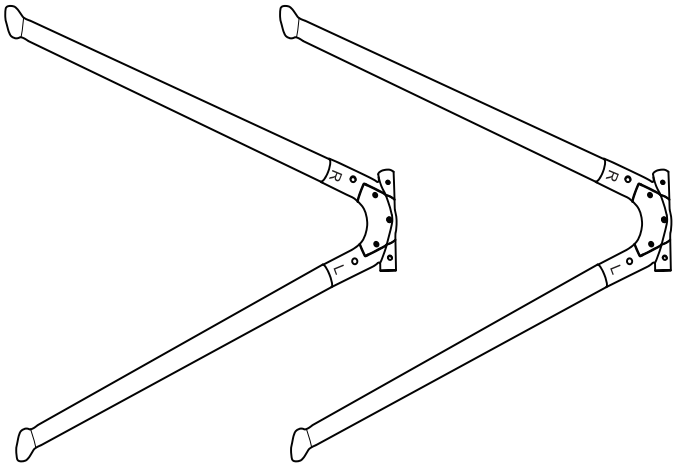
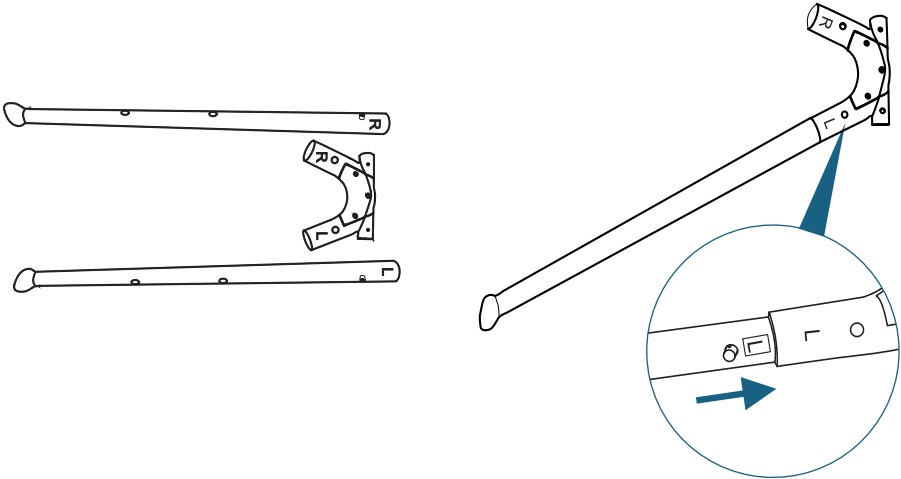


Parts included with your Dreamy Twin Crib are:

Part	Description	Quantity
A	Crib body	1
B	Storage basket	1
C	Mattress	2
D	Rear crib support tube	1
E	Front crib support tube	1
F	Frame joint	2
G	Legs	4 (2 x left, 2 x right)
H	Frame support tube	6
I	Rod	1
J	Screws	12 (includes 2 extra)
K	Tools required: x1 cross head screwdriver	

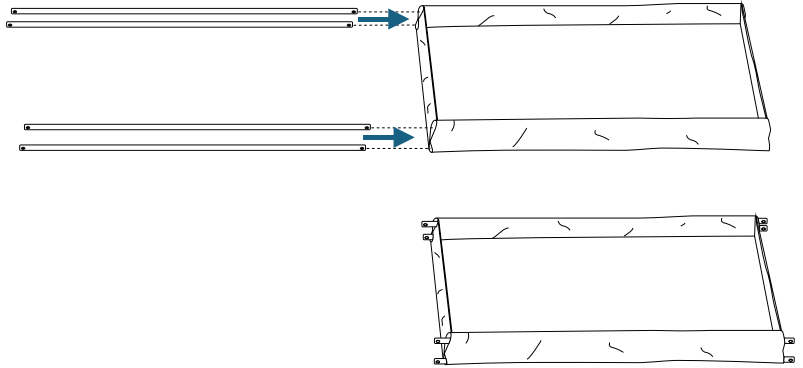
Assembling The Frame

- 1. Attach the legs (G) into the allocated holes on the frame joints (F). Listen for the "click" to ensure the spring pins are locked in place.

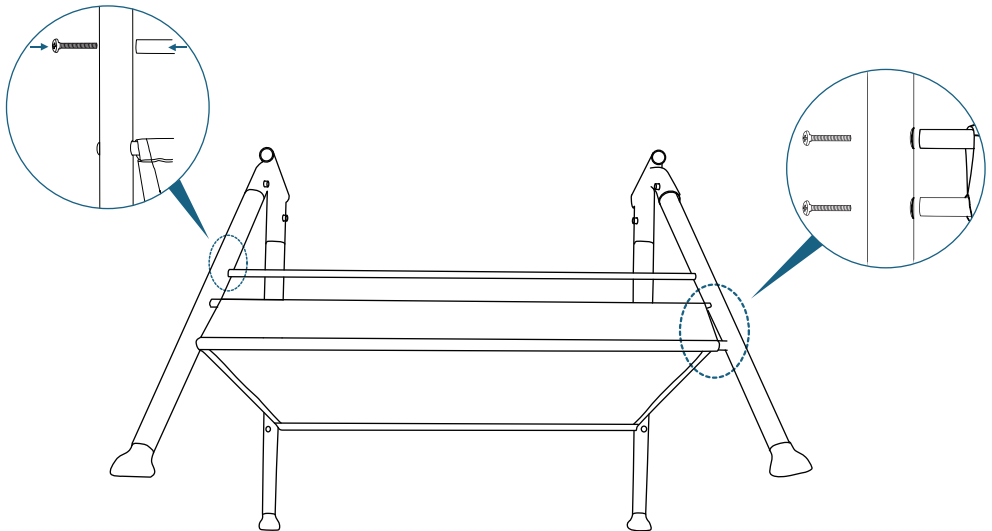


Assembling The Storage Basket

2. Insert frame support tubes (H) into the storage basket (B) side wings. Two either side.

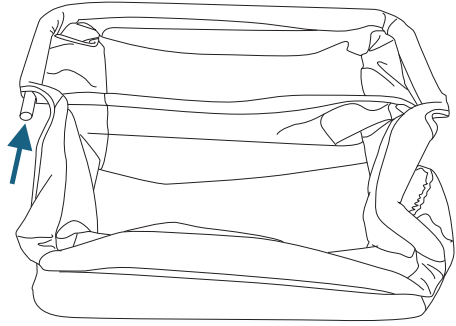


3. Secure the frame with the two remaining frame support tubes. Slide the frame support tube (H) through the top leg hole. Insert screw (J) through the leg from the outside and tighten with a cross head screwdriver (K). Secure the storage basket to the frame with screws (J) and a screwdriver.

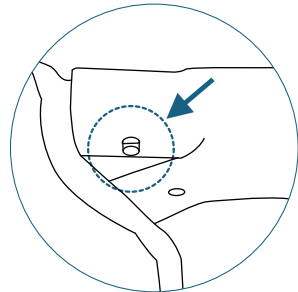
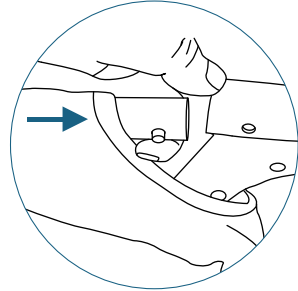


Assembling The Crib

- Slide one crib support tube (D) all the way through the non-zipper side of the crib body (A). Note the direction of the support tube push pin.

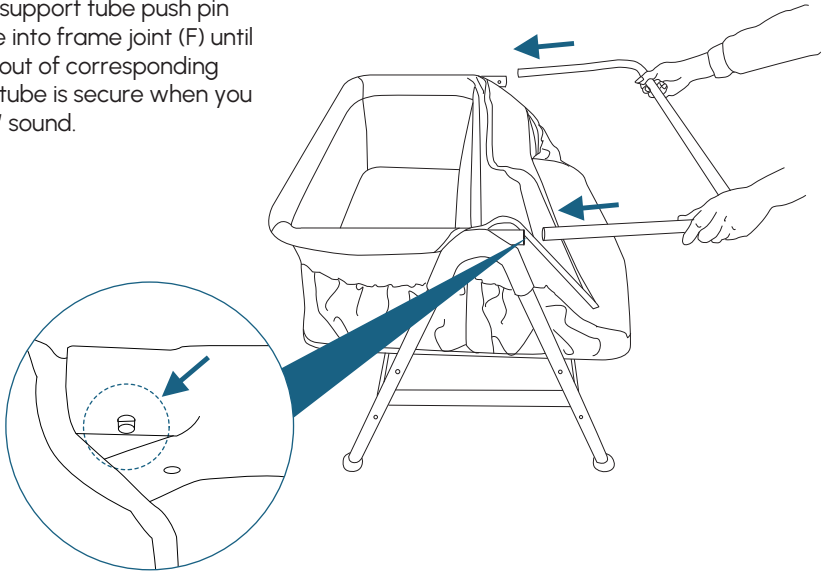


- Fit the crib body to the assembled frame. Push in support tube push pin and insert tube into frame joint (F) until push pin pops out of corresponding joint hole. The tube is secure when you hear the "click" sound.

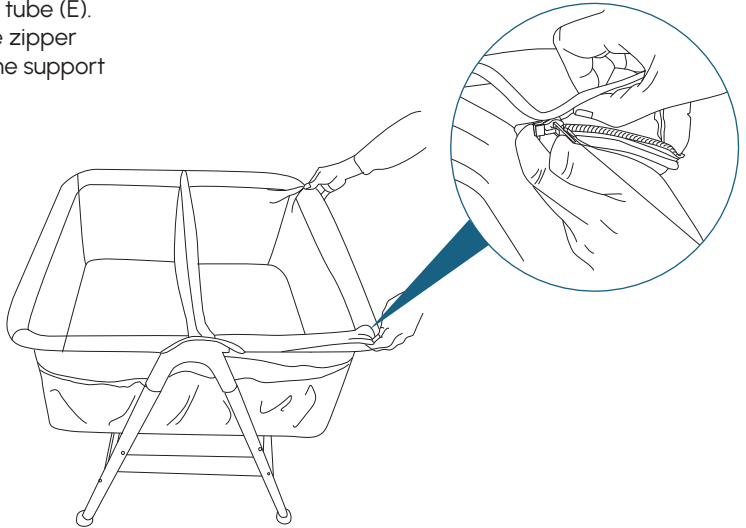


Assembling The Crib

- 6a. Insert the remaining crib support tube (E) into the other side of the assembled frame. Push in support tube push pin and insert tube into frame joint (F) until push pin pops out of corresponding joint hole. The tube is secure when you hear the "click" sound.

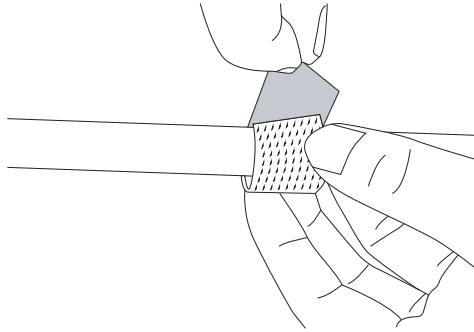


- 6b. Fold the zipper side of the crib body (A) over the crib support tube (E). Secure by closing the zipper completely around the support tube.

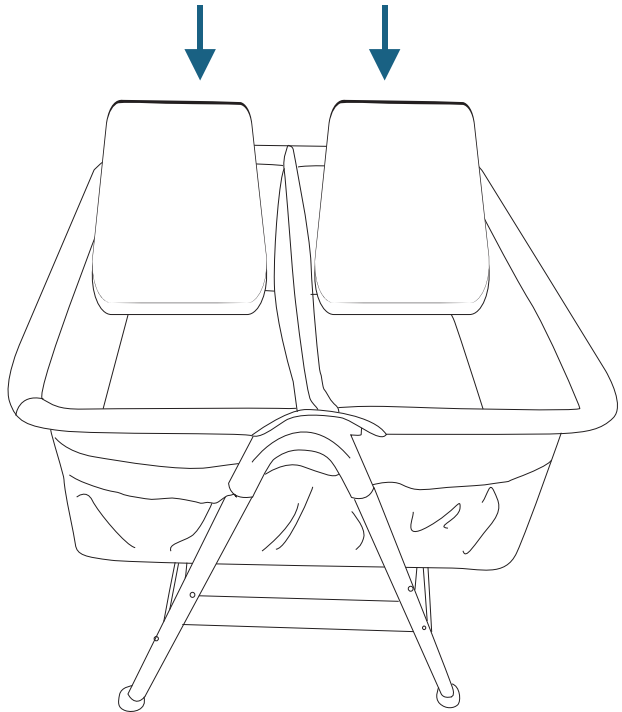


Assembling The Crib

7. Fully secure the crib body to the frame by fastening the velcro loops on the bottom of the crib body (A) to the top frame support tubes (H).

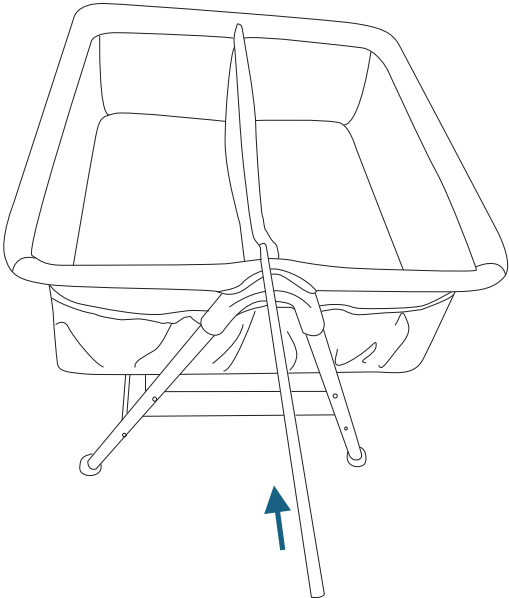


8. Place the mattresses (C) into the assembled crib.

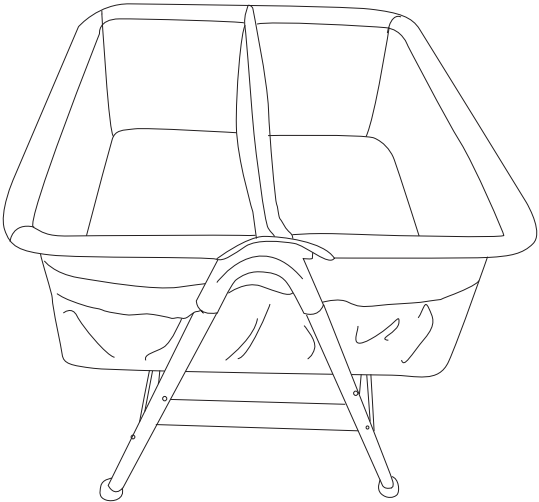


Assembling The Crib

9. Insert the rod (l) to the crib body.



10. The crib is now fully assembled.



Care And Maintenance

Cleaning

- Wipe main fabrics, plastics and metals with a damp cloth. A mild disinfectant may be used.
- Remove mattress and cover. Hand wash cover only in cool water using diluted detergent according to the instructions on the label.
- Never clean any part of crib with abrasive, ammonia based, bleach based or spirit type cleaners.
- Ensure the crib is fully dry before use or storage.
- Always ensure the crib is stored in a dry place away from direct sunlight.

Maintenance

- Regularly maintain your crib to keep it in good working order.
- Regularly check all parts of the product to ensure that they are operating correctly and for signs of wear or damage.
- Do not use this product if any part is broken, torn or missing and use only spares provided by the manufacturer.

Issue	Possible Root Cause	Solution
Crib is wobbly or unstable.	Loose screws or bolts.	Check all screws and bolts to ensure they are tightened properly.
The crib is not level.	Uneven floor surface.	Ensure the product is on a flat, even surface.
Squeaky or noisy.	Loose screws or bolts.	Check all screws and bolts to ensure they are tightened properly

For any and all other product issues not covered in the above please contact our dedicated customer services team at the below web address and they will endeavour to resolve any queries that you may have as soon as possible.

Contact: support@pugglebaby.co.uk

Recycling the Packaging

When you've unpacked your product and have ensured that all parts are present, please discard packaging components in accordance with your local authority guidelines, for further information please check the material and your postcode at <https://www.recyclenow.com/recycle-an-item>. Your packaging will include the following materials;

Carton - 5Ply Corrugated Paper - Widely recycled in your card and paper bin
Polybag - PE Plastic - Recycle with bags at large supermarkets

Notes

A series of 20 horizontal dashed lines for writing notes.

Notes

A series of 20 horizontal dashed lines for writing notes.



Imported by Online4baby Ltd.
Meadowbank, Tweedale Way, Oldham, OL9 8EH