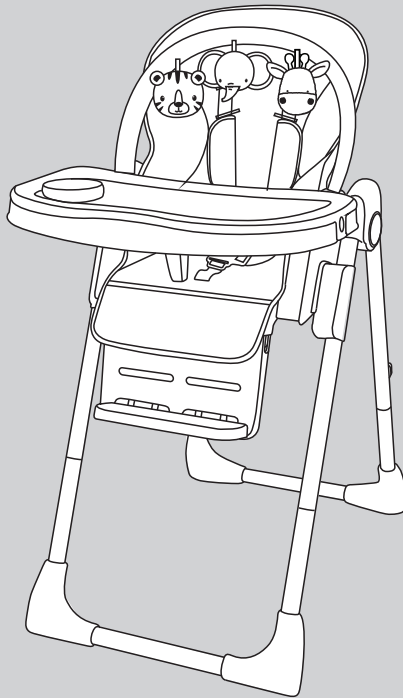


Foodie Eat & Play 9 in 1 Highchair Special Edition

Instruction manual



**IMPORTANT! READ CAREFULLY
AND KEEP FOR FUTURE REFERENCE.**

Warning: A child's safety is your responsibility.

This product is tested and approved to
EN 14988:2017+A1:2020 AND EN 12790:2009

1. Welcome

Thank you for purchasing the Puggle Foodie Eat & Play 9 in 1 Highchair Special Edition.

Please read the instructions and warnings carefully before use to ensure safe and satisfactory operation of your Puggle Foodie Eat & Play 9 in 1 Highchair Special Edition.

If you have a query with this product or require replacement parts, please contact Online4baby online at online4baby.com/contact-us.

2. Safety instructions

IMPORTANT! PLEASE READ THE FOLLOWING INSTRUCTIONS CAREFULLY BEFORE INSTALLING THE PRODUCT.

- **WARNING!** Read these instructions carefully before assembly and use and keep for future reference. The child may be hurt if you do not follow these instructions.
- **WARNING!** This product in upright position is intended for children able to sit up unaided and up to 3 years or a maximum weight of 15kg.
- **WARNING!** This product is suitable from birth in fully reclined backrest position only.
- Do not use the highchair in an upright position until the child can sit up unaided. This is usually around 6 months of age.
- **WARNING!** This product is not intended for prolonged periods of sleeping.
- **WARNING!** Never leave the child unattended.

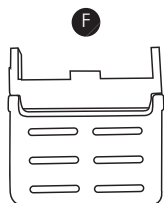
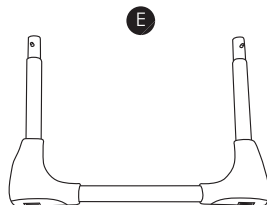
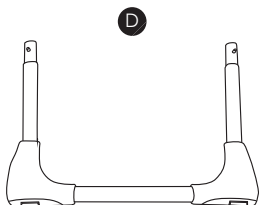
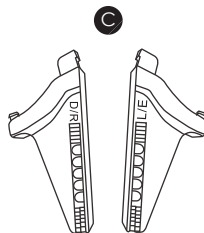
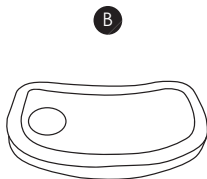
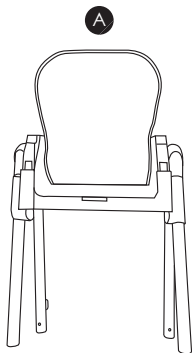


- **WARNING!** This product does not replace a cot or a bed. Should your child need to sleep, then it should be placed in a suitable cot or bed.
- **WARNING!** Always keep child in view while in the highchair.
- **WARNING!** The harness must always be used and correctly fitted. Most injuries from highchairs are caused by falls.
- **WARNING!** Falling hazard: Prevent your child from climbing on the product.
- **WARNING!** Be aware of the risk of tilting when your child can push its feet against a table or any other structure.
- **WARNING!** Do not use the highchair unless all components are correctly fitted and adjusted.
- **WARNING!** Be aware of the risk of open fires and other sources of strong heat, such as electric bar fires, gas fires etc. in the vicinity of the highchair.

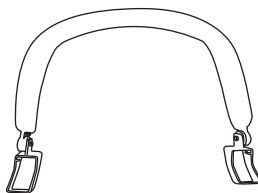
2. Safety instructions

- **WARNING!** To avoid injury ensure that your child is kept away when unfolding and folding this product.
- Position the highchair on a flat, horizontal and even floor. Do not elevate the highchair on any structure.
- DO NOT allow anyone to climb or stand on or inside of this highchair.
- To reduce the risk of injury always position the highchair away from furniture, walls, heat sources and cords including window cords or electrical wires.
- If being used at a table with the tray removed, position away from furniture.
- Do not use the highchair if any part is broken or missing.
- Regularly check all connections to ensure they are tight.
- Keep plastic packaging away from children to avoid danger of suffocation.
- This highchair conforms to EN 14988:2017+A1:2020 and EN12790:2009.

3. Parts List



H



Contained in your carton are:

Nº	Part	Qty
A	Seat unit and frame	1
B	Tray (main and snack)	1
C	Armrest	2
D	Front feet with stoppers	1
E	Rear feet with wheels	1
F	Leg rest	1
G	Footrest	1
H	Toy bar	1
I	Tiger toy	1
J	Elephant toy	1
K	Giraffe toy	1

I



J



K



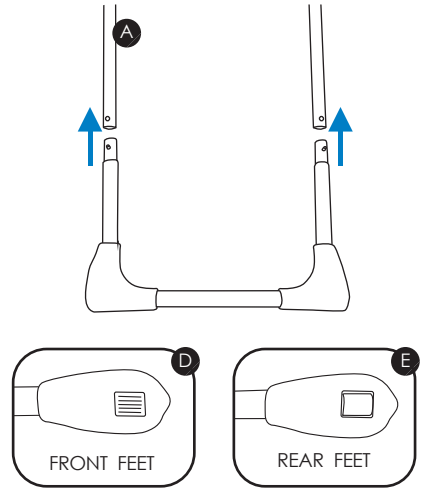
4. Assembly

4.1. FEET ASSEMBLY

Assemble the feet (D) and (E) to the seat and frame (A).

NOTE: Ensure the feet with wheels (E) are assembled to the rear of the frame (the side with tray storage pegs).

Each leg has a spring loaded pin. Line up one of the feet so that the small holes in the tops of the foot align with the spring pins. Push firmly on the foot at either end until each of the 2 spring pins "click" into place. Repeat for the other foot.



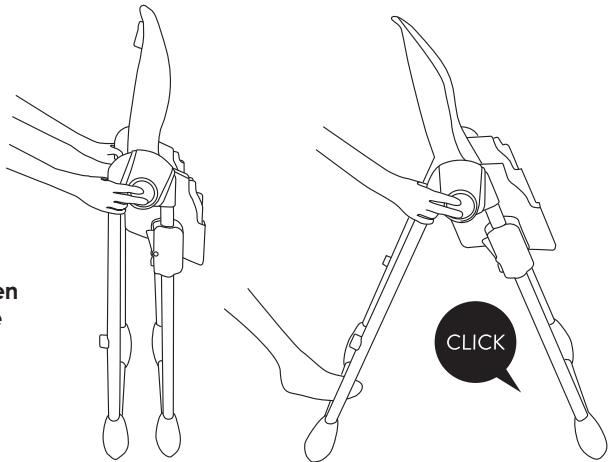
4.2. UNFOLDING THE HIGHCHAIR

Open the seat unit and frame. Press and hold the folding button and pull the rear legs out. Release the button. A "click" will signal when secure.



WARNING!

When unfolding the highchair always ensure legs are fully open and the lock is engaged before use.



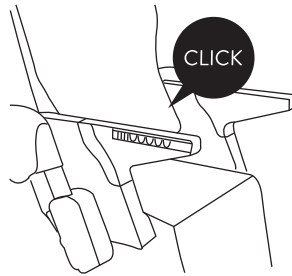
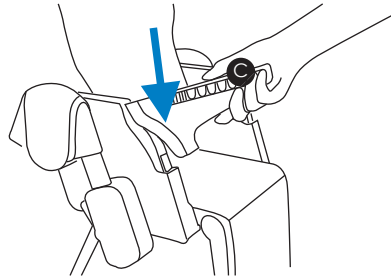
4. Assembly

4.3. ARMREST ASSEMBLY

Locate the armrests (C) and ensure to note their orientation.

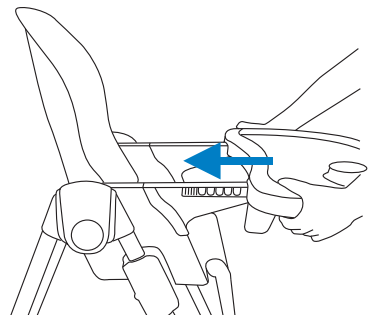
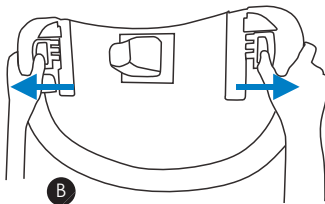
For assembly, the smooth flat side of each armrest must be facing inside the seat and the grooved side of each armrest must be facing out.

Align the armrests with the seat and press down firmly. A "click" will signal when secure.



4.4. TRAY ASSEMBLY

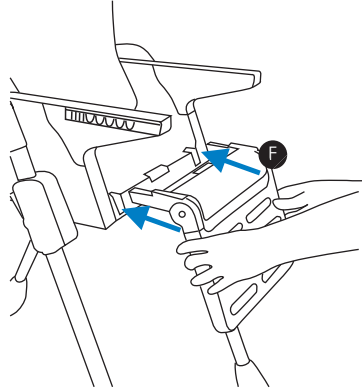
Attach the tray (B) to the seat. Pull outward on the levers found on the underside of the tray and slide the tray into position. Release the levers to lock the tray in place.



4. Assembly

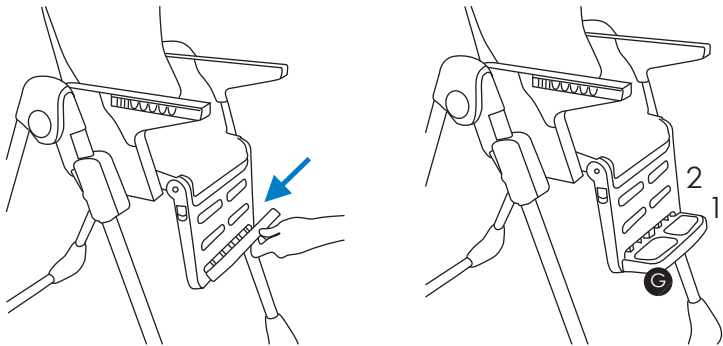
4.5. LEG REST ASSEMBLY

Insert the leg rest (F) into the holes as illustrated. Push until locked into place.



4.6. FOOTREST ASSEMBLY

Attach the footrest (G) to the leg rest. There are 2 positions for the footrest.

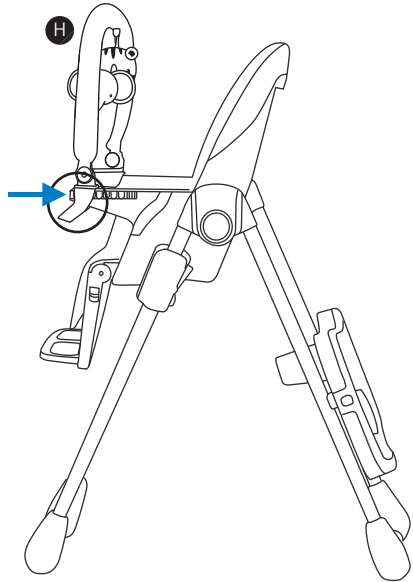
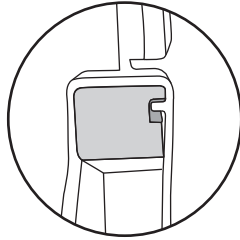


4. Assembly

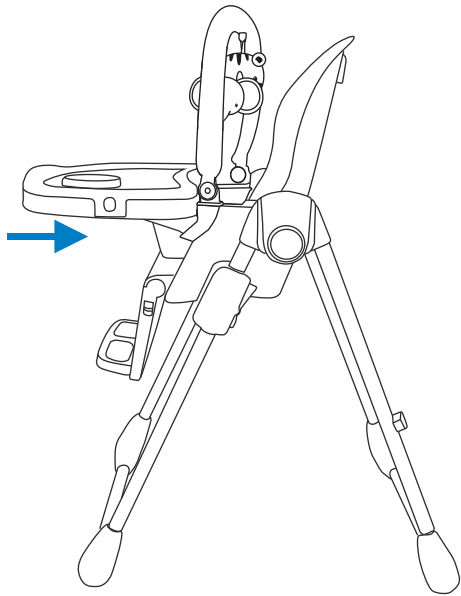
4.7. TOY BAR ASSEMBLY

Remove the tray by pulling outward on the levers on the underside and sliding it off the frame.

Slide the toy bar (H) connectors along the armrest aligning with the armrest grooves. Check it is secured.



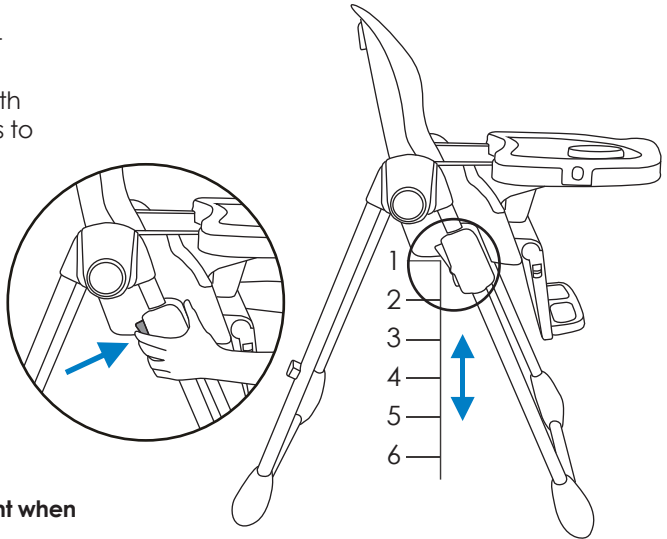
Re-attach the tray following instructions on page 5.



5. Using the Highchair

5.1. HEIGHT ADJUSTMENT

The highchair has 6 height positions.
Simultaneously press in both height adjustment buttons to raise or lower the seat.
Release both of the locks at the required height.

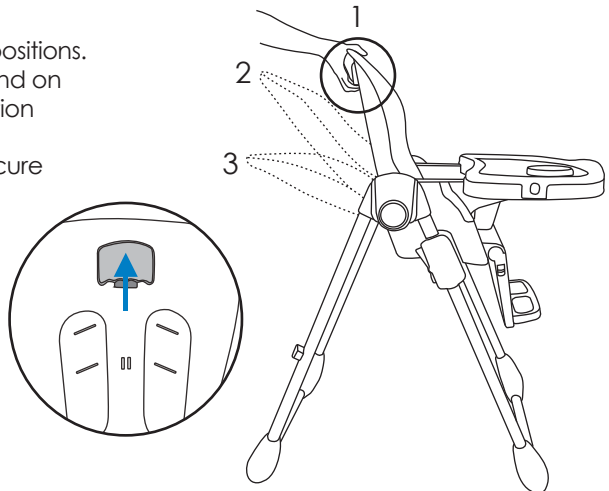


WARNING!

Do not adjust the seat height when the child is in the highchair.

5.2. BACKREST ADJUSTMENT

The highchair has 3 backrest positions.
Pull up on the plastic lever found on the back of the seat and position the backrest as required.
Release the mechanism to secure into place.



WARNING!

Do not adjust seat recline when the child is in the seat.



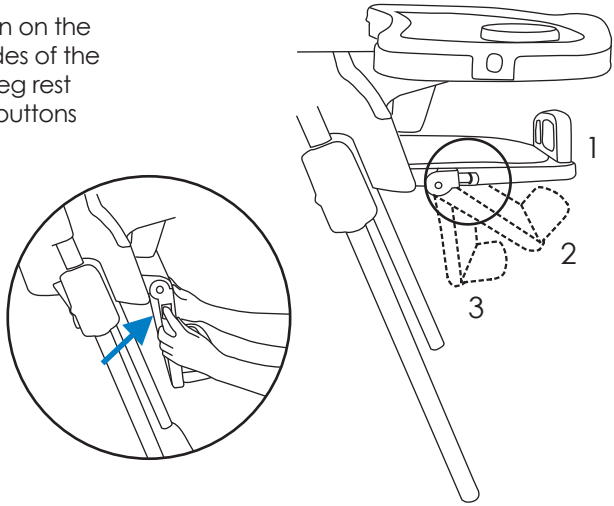
WARNING!

This product is suitable from birth in fully reclined backrest position only (position 3).

5. Using the Highchair

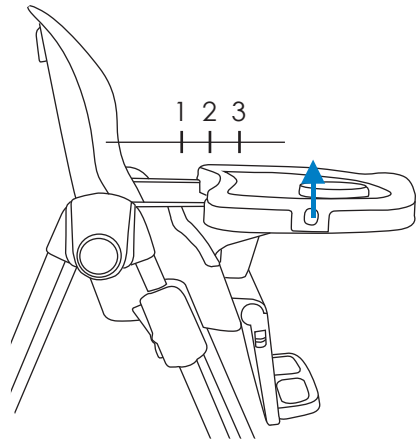
5.3. LEG REST ADJUSTMENT

The highchair has 3 leg rest positions.
Simultaneously push down on the buttons found on both sides of the leg rest and position the leg rest as required. Release the buttons to secure into place.



5.4.1. TRAY ADJUSTMENT

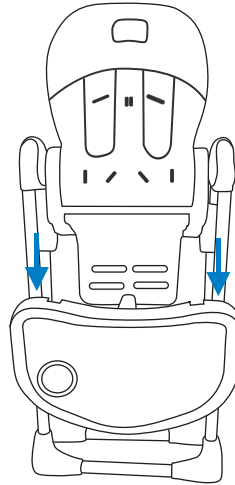
The tray has 3 positions.
It will "click" when secured in desired position.
The tray also has an inner snack tray.
Pull up at the sides to remove snack tray from tray.



5. Using the Highchair

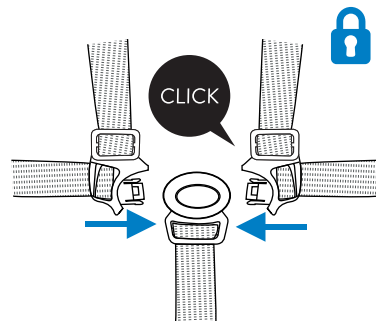
5.4.2. TRAY STORAGE

The tray can be stored on the rear of the highchair. Slide the tray connectors onto rear leg pegs and push down.



5.5.1. HARNESS OPERATION

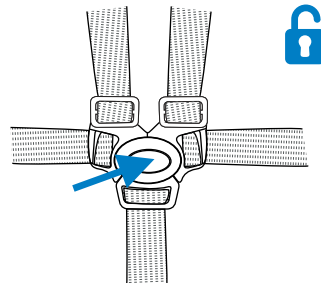
A 5 point safety harness is provided to secure your child and should always be worn. To fasten, push the prongs into the buckle housing. Listen for the "click".



WARNING!

Always use the harness and ensure it is correctly fitted securely while the child is in the highchair.

To release, press the centre buckle button.



5. Using the Highchair

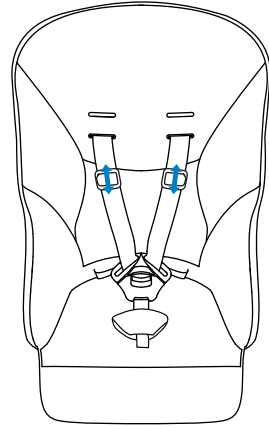
5.5.2. HARNESS LENGTH ADJUSTMENT

Sliding adjusters are fitted and should be carefully adjusted so the harness fits your child comfortably.



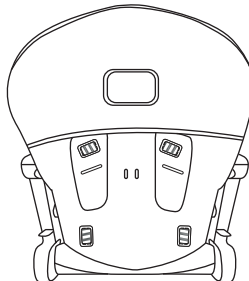
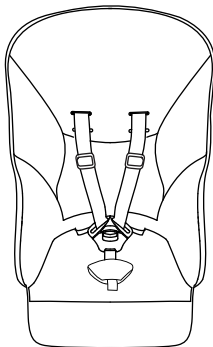
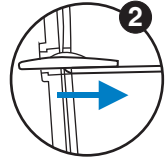
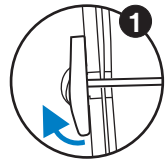
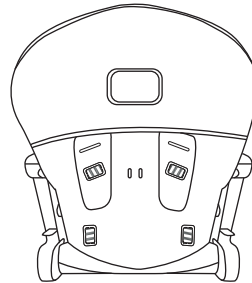
WARNING!

Always adjust the harness to fit your child correctly for their comfort and safety. a loose fitting harness can be very dangerous.



5.5.2. HARNESS LENGTH ADJUSTMENT

The highchair has 2 shoulder height positions. To adjust the shoulder height position, pass the plastic ends of the harness through the horizontal slots in the backrest and re-fit at the desired height position.

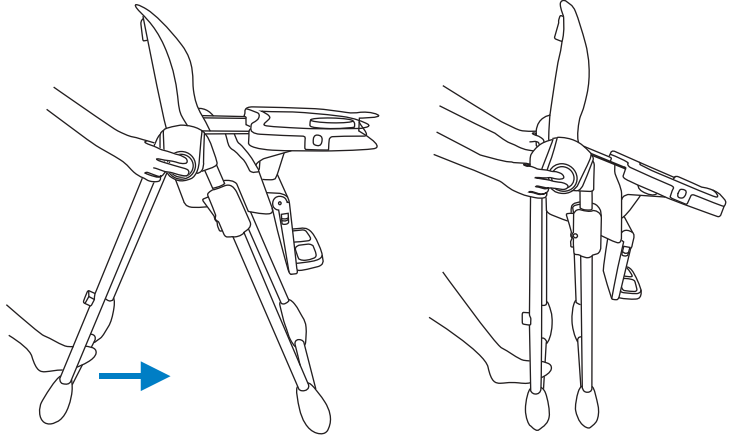


5. Using the Highchair

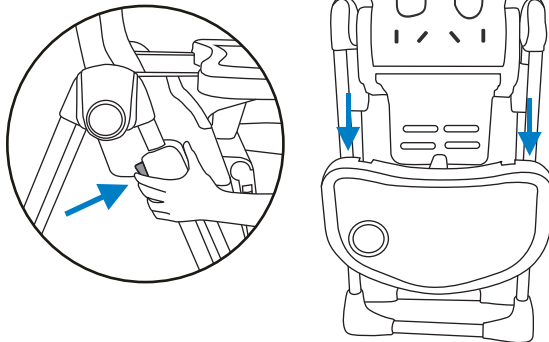
5.6. FOLDING

The toy bar must be removed before folding. To remove toy bar, remove tray and slide toy bar off the frame, then re-attach tray.

Press and hold the folding button and push the rear legs in with your feet.



For a more compact fold, press in both height adjustment buttons to lower the seat and hang the tray on the rear of the highchair.



6. Care and Maintenance

6.1. CLEANING


- To clean, wipe with warm water and a mild detergent. A mild disinfectant may be used. Stubborn marks may be removed with a non-abrasive cream cleaner.
- Sponge clean the harness with a mild soap and water solution. Rinse and wipe dry.
- Do not wash the toys. Wipe clean only using a soft sponge with diluted detergent or water.
- Never clean any part of highchair with abrasive, ammonia based, bleach based or spirit type cleaners.
- Ensure the highchair is fully dry before use or storage.
- Always ensure the highchair is stored in a dry place away from direct sunlight.

6.2. MAINTENANCE

- Regularly maintain your highchair to keep it in good working order.
- Moving parts may be lubricated with a light silicone oil.
- Regularly check all parts of the product to ensure that they are operating correctly and for signs of wear or damage.
- Do not use this product if any part is broken, torn or missing and use only spares provided by the manufacturer.



If you have any questions or concerns regarding this product,
do not hesitate to contact our expert team online
via online4baby.com/contact-us

Feeling social?  
online4baby.com

Imported by Online4baby Ltd,
Meadowbank, Tweedale Way, Oldham, OL9 8EH