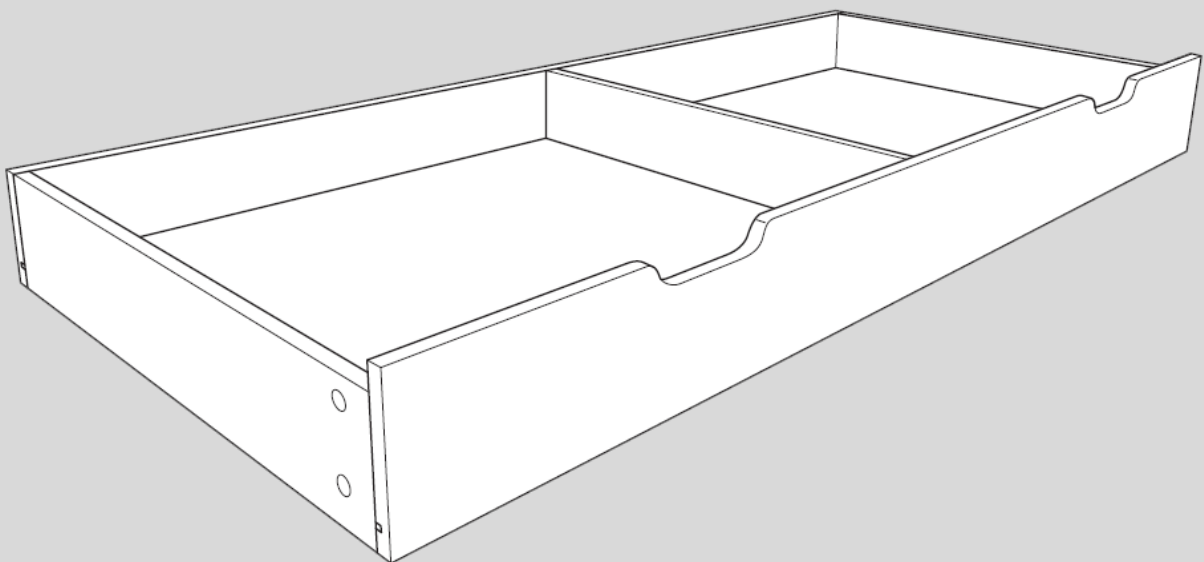


Under Cot Drawer

Instruction manual



IMPORTANT – Please read these instructions carefully before use and retain for future reference.

Safety Instructions

IMPORTANT – Read the instructions carefully before use and keep for future reference.

- **WARNING:** A child's safety is your responsibility.
- **WARNING:** Only use on a flat, level and stable surface.
- **WARNING:** Do not use the under cot drawer if any part is broken, torn or missing and use only additional or replacement parts obtained from the manufacturer or distributor.
- All assembly fittings should always be tightened properly, checked periodically and the care should be taken that no bolts are loose, because a child could trap parts of the body or clothing (e.g. strings, necklaces, ribbons for babies' dummies), which could pose a risk of suffocation and strangulation.
- **DO NOT** use power tools to assemble this product. Power tools can cause screws and fittings to over-tighten and damage the wood. Power tools may also draw out embedded insert nuts.

Welcome

Thank you for purchasing the Puggle Under Cot Drawer.

Please read these instructions and safety warnings carefully before use to ensure safe and satisfactory operation of this product.

Your child's safety is your responsibility. If you have a query with this product or require replacement parts, please contact Online4baby online at online4baby.com/contact-us.

WARNING! Assembly by an adult. Keep away from children until fully assembled. Keep children clear during assembly as pack contains small parts which may present a choking hazard.

Lay out the parts on a soft level surface and compare to the part/fixings checklist. Do not discard any packaging until you are sure that you have all the parts.

This under cot drawer is designed to be easily dismantled for storage or transportation.

Before Assembly

Before assembly, please ensure that you have read and understood the instructions. The carefully unpack our under cot drawer and ensure that all parts are present, please see parts list as follows.

Discard packaging in accordance with your local authority guidelines.

We advise that the under cot drawer should be assembled in the room where it is intended to be used, two person assembly is recommended. The under cot drawer should be assembled on a clean surface, free from any sharp objects that could mark or damage the product.

CAUTION: There are many small components used in the construction of this under cot drawer. These items should be kept out of reach of young children whilst assembling the unit.

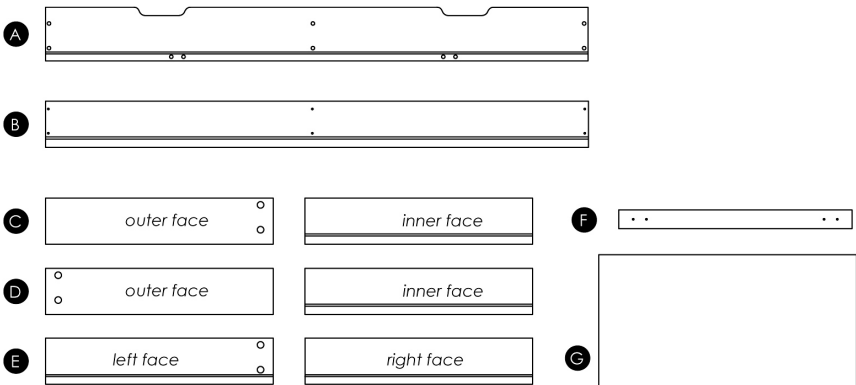
NOTE: When unpacking this product there may be a slight odour, this is perfectly normal. We recommend allowing the product to air out in a well-ventilated room to allow the odour to dissipate prior to use.



2 Man assembly recommended, approximate build time 15 minutes.



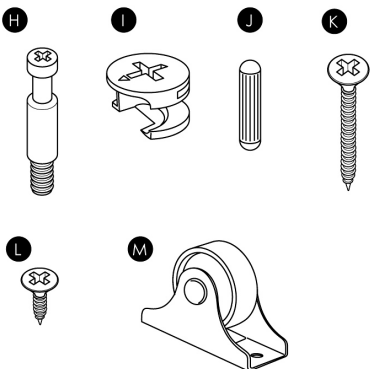
Parts List - Drawer Parts



Contained in your carton are:

Nº	Part	Qty
A	Front Panel	1
B	Back Panel	1
C	Left Side Panel	1
D	Right Side Panel	1
E	Centre Panel	1
F	Base Supports	2
G	Base Panels	2

Parts List - Screws and Fixings

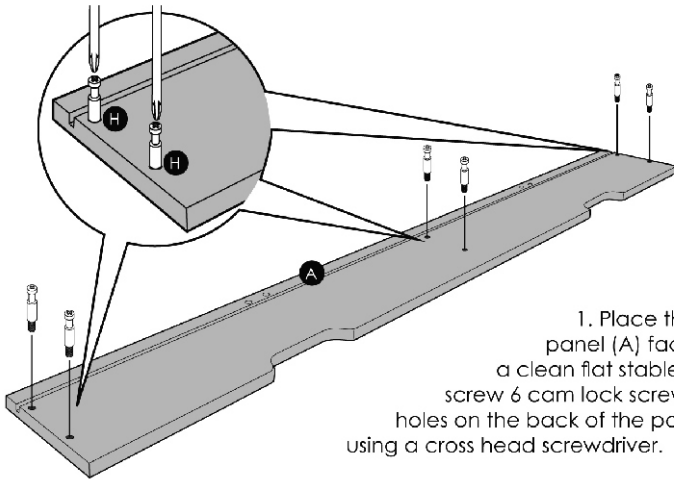


Contained in your carton are:

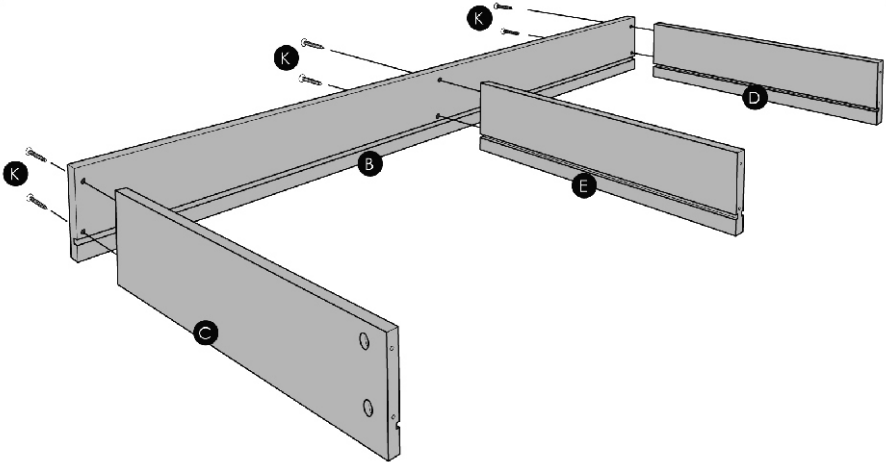
Nº	Part	Qty
H	Cam Lock Screws	6
I	Cam Lock Nuts	6
J	Wooden Dowels	8
K	Wood Screws	6
L	Wheel Screws	8
M	Wheels	4

You will also require a cross head screwdriver and a flat head screwdriver (not included).

Assembling the Drawer

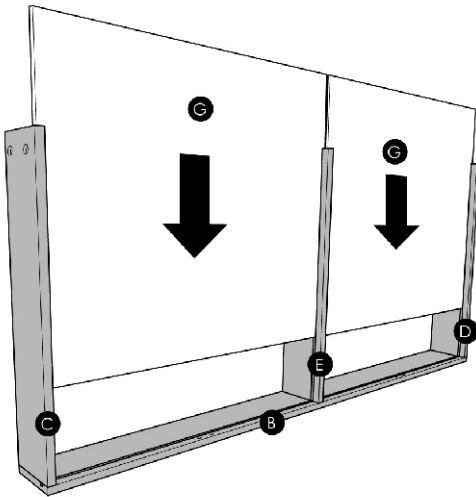


1. Place the drawer front panel (A) face down on a clean flat stable surface and screw 6 cam lock screws (H) in to the holes on the back of the panel as shown using a cross head screwdriver.

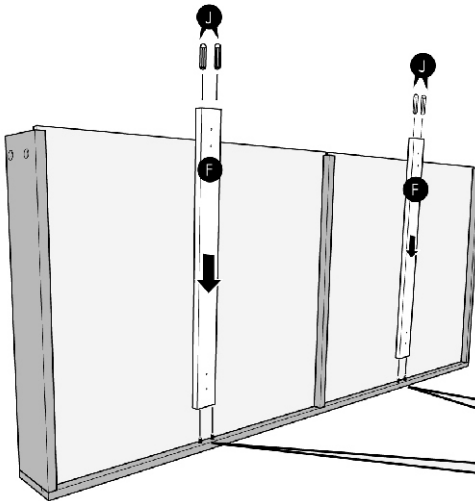


2. Attach the left side panel (C), right side panel (D) and centre partition (E) to the back panel (B) using 6 wood screws (K) and tighten using a cross head screwdriver.

Assembling the Drawer



3. Carefully turn the partly assembled drawer on to its back panel (B) as shown. Slide the base panels (G) along the slots in the side panels (C), (D) and centre partition (E) and into the slot on the back panel (B).

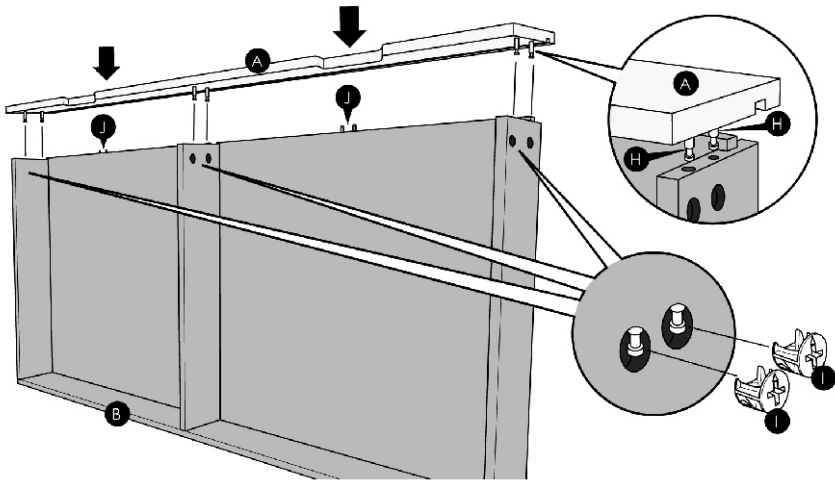


4. Insert four wooden dowels (J) into back panel (B).

Push the two base supports (F) onto the wooden dowels on back panel (B).

Finally insert two wooden dowels (J) into the top end of each base support (F).

Assembling the Drawer



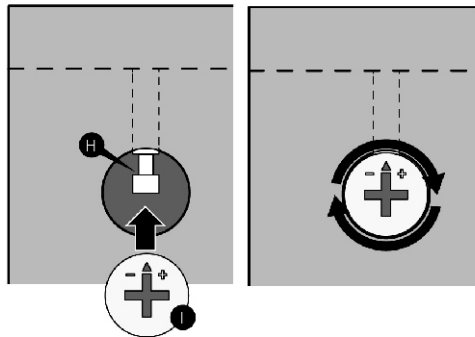
5. With the partly assembled drawer still on to its back panel (B), place the drawer front panel (A) onto the partly assembled drawer so that all the cam lock screws (H) and wooden dowels (J) fit into their corresponding holes.

IMPORTANT! Take your time and ensure all parts are correctly aligned. DO NOT force the parts together.

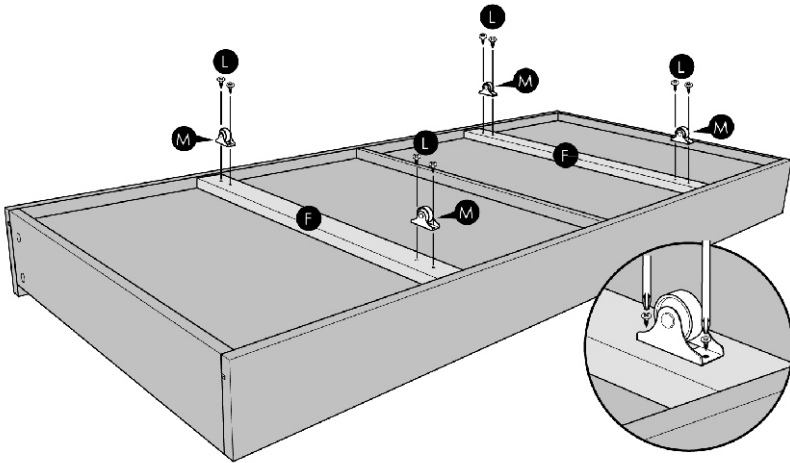
Insert cam lock nuts (I) and tighten them clockwise using a flat head screw driver.

CAUTION Avoid overtightening!

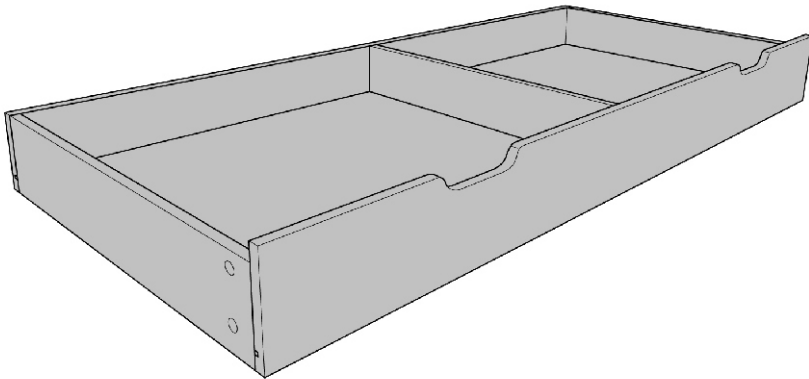
Note: Cam lock nuts normally have a plus and minus symbol or an arrow. Insert nuts so that the plus and minus (or arrow) point towards the cam lock screw as shown opposite. Once tightened the arrow will be pointing away from the screw.



Assembling the Drawer



6. Turn the drawer face-down, line up the wheels with the pilot holes on the base supports (F) and using a cross head screw driver attach two wheels (M) to each base support (F) using screws (L).



7. The drawer is ready to use once all four wheels are attached.

Care and Maintenance

- Scuff marks may be removed with a soft, damp cloth.
- Occasional use of furniture polish will maintain the finish of your under cot drawer.
- DO NOT use harsh or abrasive cleaners or bleaches on this product, as they may damage the finish.
- Periodically check all fixings to ensure they remain tight and tighten where required.

puggle™

Feeling social?  

[online4baby.com](https://www.online4baby.com)

Imported by Online4baby Ltd.

Meadowbank, Tweedale Way, Oldham, OL9 8EH